

MODEL NO.	SWITCH FUNCTION			TERMINAL QUANTITY	CONNECTED TERMINALS		
	POS.1	POS.1	POS.1		POS.1	POS.1	POS.1
PL709-1	ON	NONE	ON	12P	1-2,4-5 7-8,10-11	—	2-3,5-6 8-9,11-12
PL709-1A	<ON>	NONE	ON	12P	1-2,4-5 7-8,10-11	—	2-3,5-6 8-9,11-12
PL709-2	ON	OFF	ON	12P	1-2,4-5 7-8,10-11	—	2-3,5-6 8-9,11-12
PL709-2A	MOM	OFF	ON	12P	1-2,4-5 7-8,10-11	—	2-3,5-6 8-9,11-12
PL709-2B	MOM	OFF	MOM	12P	1-2,4-5 7-8,10-11	—	2-3,5-6 8-9,11-12

MOM=MENTORY

### SPECIFICATION

- 1.PATING:10A 250VAC,15A 125VAC  
15A 250VAC,20A 125VAC
- 2.INSULATION RESISTANCE:DC 500V 200MΩ OR MORE
- 3.CONTACT RESISTANCE:DC 2-4V 1A 20MΩ OR LESS
- 4.WITHSTAND VOLTAGE:AC 1500V OR MORE

### 端子種類 Termination Options

H1	H2	H3	H4	H5

品名  
PRODUCT  
比例  
SCALE

POWER TOGGLE SWITCH

1:1

單位  
UNIT

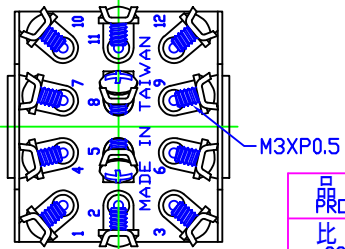
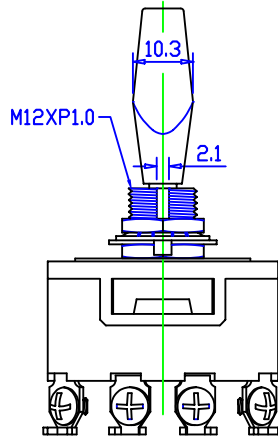
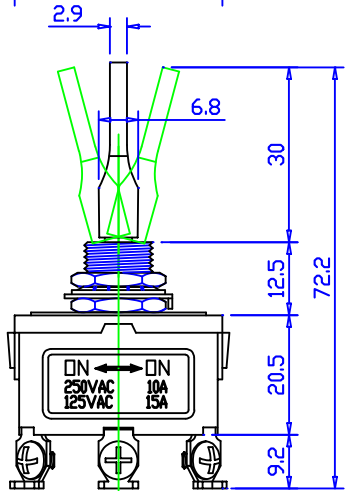
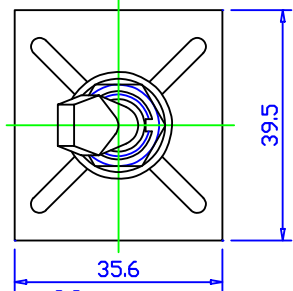
MM

公差  
TOLERANCE

±0.3MM



TACLEX ELECTRONICS CO., LTD.



MODEL NO.	SWITCH FUNCTION			TERMINAL QUANTITY	CONNECTED TERMINALS		
	POS.1	POS.1	POS.1		POS.1	POS.1	POS.1
PL709-1	ON	NONE	ON	12P	1-2,4-5 7-8,10-11	—	2-3,5-6 8-9,11-12
PL709-1A	<ON>	NONE	ON	12P	1-2,4-5 7-8,10-11	—	2-3,5-6 8-9,11-12
PL709-2	ON	OFF	ON	12P	1-2,4-5 7-8,10-11	—	2-3,5-6 8-9,11-12
PL709-2A	MDM	OFF	ON	12P	1-2,4-5 7-8,10-11	—	2-3,5-6 8-9,11-12
PL709-2B	MDM	OFF	MDM	12P	1-2,4-5 7-8,10-11	—	2-3,5-6 8-9,11-12

MDM=MOMENTARY

### SPECIFICATION

- 1.PATING:10A 250VAC,15A 125VAC  
15A 250VAC,20A 125VAC
- 2.INSULATION RESISTANCE:DC 500V 200MΩ OR MORE
- 3.CONTACT RESISTANCE:DC 2-4V 1A 20MΩ OR LESS
- 4.WITHSTAND VOLTAGE:AC 1500V OR MORE

### 端子種類 Termination Options

H1	H2	H3	H4	H5

品名 PRODUCT	POWER TOGGLE SWITCH				
比例 SCALE	1:1	單位 UNIT	MM	公差 TOLERANCE	±0.3MM

