

MODEL NO.	SWITCH FUNCTION			TERMINAL QUANTITY	CONNECTED TERMINALS		
	POS.1	POS.1	POS.1		POS.1	POS.1	POS.1
PL708-1	ON	NONE	ON	9P	1-2,4-5 7-8	—	2-3,5-6 8-9
PL708-1A	(ON)	NONE	ON	9P	1-2,4-5 7-8	—	2-3,5-6 8-9
PL708-2	ON	OFF	ON	9P	1-2,4-5 7-8	—	2-3,5-6 8-9
PL708-2A	MM	OFF	ON	9P	1-2,4-5 7-8	—	2-3,5-6 8-9
PL708-2B	MM	OFF	MM	9P	1-2,4-5 7-8	—	2-3,5-6 8-9

MM=MOMENTARY

### SPECIFICATION

1. RATING: 10A 250VAC, 15A 125VAC  
15A 250VAC, 20A 125VAC
2. INSULATION RESISTANCE: DC 500V 200MΩ OR MORE
3. CONTACT RESISTANCE: DC 2-4V 1A 20MΩ OR LESS
4. WITHSTAND VOLTAGE: AC 1500V OR MORE

### 端子種類 Termination Options

H1	H2	H3	H4	H5

品名  
PRODUCT

POWER TOGGLE SWITCH

比例  
SCALE

1:1

單位  
UNIT

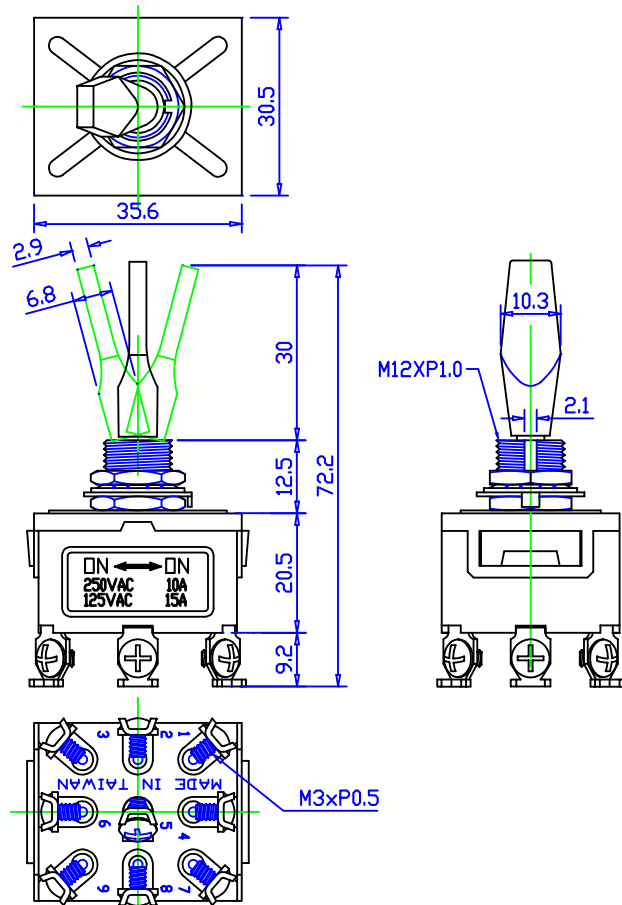
MM

公差  
TOLERANCE

±0.3MM



TACLEX ELECTRONICS CO., LTD.



MODEL NO.	SWITCH FUNCTION			TERMINAL QUANTITY	CONNECTED TERMINALS		
	POS.1	POS.1	POS.1		POS.1	POS.1	POS.1
PL708-1	ON	NONE	ON	9P	1-2,4-5 7-8	—	2-3,5-6 8-9
PL708-1A	<ON>	NONE	ON	9P	1-2,4-5 7-8	—	2-3,5-6 8-9
PL708-2	ON	OFF	ON	9P	1-2,4-5 7-8	—	2-3,5-6 8-9
PL708-2A	MDM	OFF	ON	9P	1-2,4-5 7-8	—	2-3,5-6 8-9
PL708-2B	MDM	OFF	MDM	9P	1-2,4-5 7-8	—	2-3,5-6 8-9

MDM=MOMENTARY

### SPECIFICATION

- 1.PATING:10A 250VAC,15A 125VAC  
15A 250VAC,20A 125VAC
- 2.INSULATION RESISTANCE:DC 500V 200MΩ OR MORE
- 3.CONTACT RESISTANCE:DC 2-4V 1A 20MΩ OR LESS
- 4.WITHSTAND VOLTAGE:AC 1500V OR MORE

### 端子種類 Termination Options

H1	H2	H3	H4	H5

品名  
PRODUCT

POWER TOGGLE SWITCH

比例  
SCALE

1:1

單位  
UNIT

MM

公差  
TOLERANCE

±0.3MM



TACLEX ELECTRONICS CO., LTD.