

MODEL NO.	SWITCH FUNCTION			TERMINAL QUANTITY	CONNECTED TERMINALS		
	POS.1	POS.1	POS.1		POS.1	POS.1	POS.1
PL708-6P	ON	NONE	OFF	6P	1-3,4-6 7-9	—	—
PL708-6PA	<ON>	NONE	OFF	6P	1-3,4-6 7-9	—	—

MM=MOMENTARY

SPECIFICATION

1. RATING: 10A 250VAC, 15A 125VAC
15A 250VAC, 20A 125VAC
2. INSULATION RESISTANCE: DC 500V 200MΩ OR MORE
3. CONTACT RESISTANCE: DC 2-4V 1A 20MΩ OR LESS
4. WITHSTAND VOLTAGE: AC 1500V OR MORE

端子種類 Termination Options

H1	H2	H3	H4	H5

品名
PRODUCT

POWER TOGGLE SWITCH

比例
SCALE

1:1

單位
UNIT

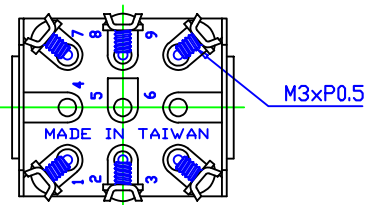
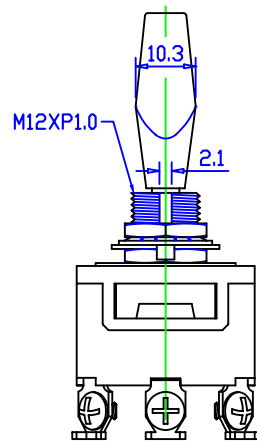
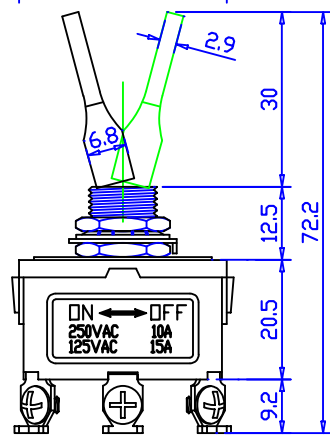
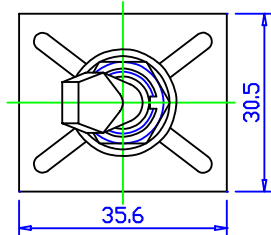
MM

公差
TOLERANCE

±0.3MM



TACLEX ELECTRONICS CO., LTD.



MODEL NO.	SWITCH FUNCTION			TERMINAL QUANTITY	CONNECTED TERMINALS		
	POS.1	POS.1	POS.1		POS.1	POS.1	POS.1
PL708-6P	ON	NONE	OFF	6P	1-3,4-6 7-9	—	—
PL708-6PA	<ON>	NONE	OFF	6P	1-3,4-6 7-9	—	—

MDM=MOMENTARY

SPECIFICATION

- 1.PATING:10A 250VAC,15A 125VAC
15A 250VAC,20A 125VAC
- 2.INSULATION RESISTANCE:DC 500V 200MΩ OR MORE
- 3.CONTACT RESISTANCE:DC 2-4V 1A 20MΩ OR LESS
- 4.WITHSTAND VOLTAGE:AC 1500V OR MORE

端子種類 Termination Options

H1	H2	H3	H4	H5

品名
PRODUCT

POWER TOGGLE SWITCH

比例
SCALE

1:1

單位
UNIT

MM

公差
TOLERANCE

±0.3MM



TACLEX ELECTRONICS CO., LTD.