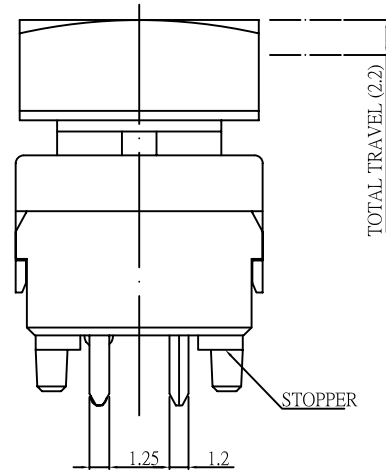
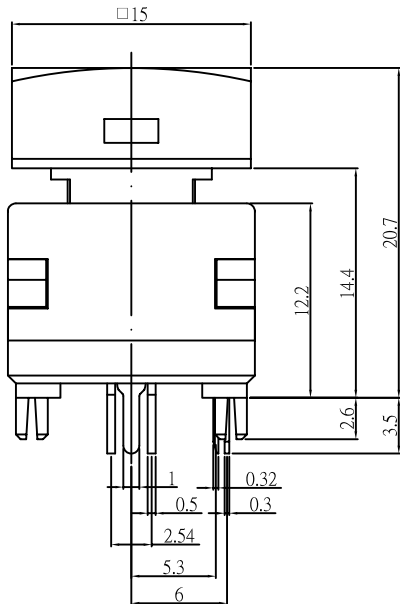
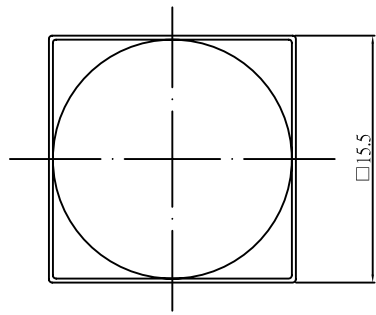


DIMENSION	TOLERANCE
BELOW 10 mm	± 0.3
10~100 mm	± 0.5
ABOVE 100 mm	± 0.8
ANGLE	± 3°



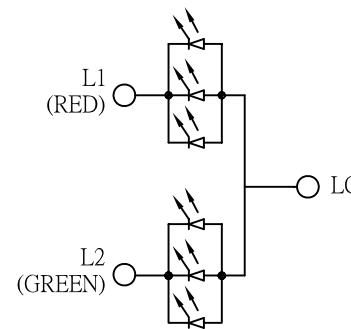
CIRCUIT DIAGRAM



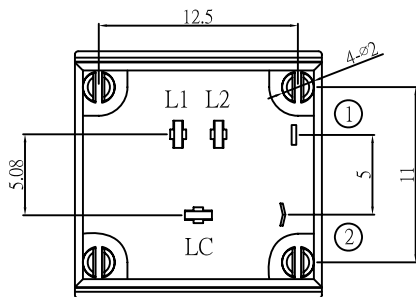
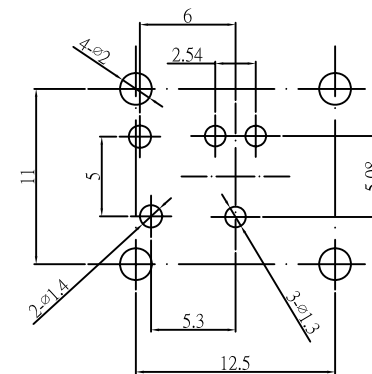
SPECIFICATION

- 1P1T .
- NON-LOCK TYPE.
- RATING : 12mA 12V DC.
- CONTACT RESISTANCE : 200 m Ω MAX .
- INSULATION RESISTANCE : 500 V DC , 100 M Ω MIN .
- OPERATING TEMPERATURE : -20 ~ 70 .

LED SCHEMATIC



P.C.B. LAYOUT



△				DATA	2007/01/08	UNIT	mm	MODE	PUSH SWITCH WITH LED
△				APPROVAL	KAVEN	SCALE	1 : 1	PART	PS006-N11AAR3G3
△				CONFIRM	ALAN	VIEW	☉	2D FILE NAME	PS006-N11AAR3G3
	DATA	APPROVAL	DESIGN	ENGINEERING CHANGE DESCRIPTION	DESIGN	JUN	VER.	01	3D FILE NAME

