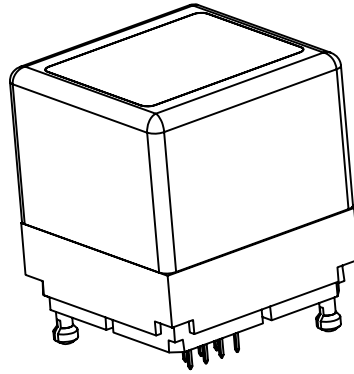
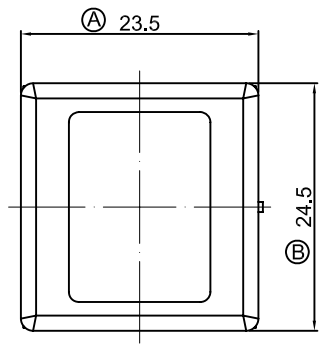
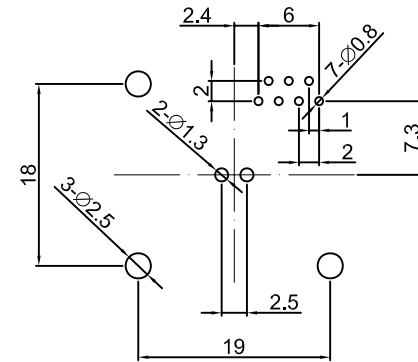


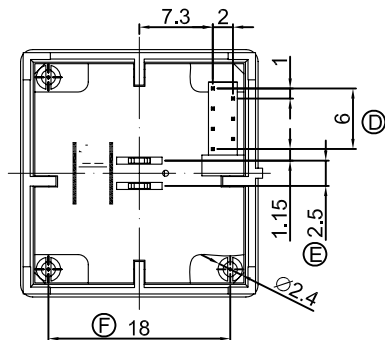
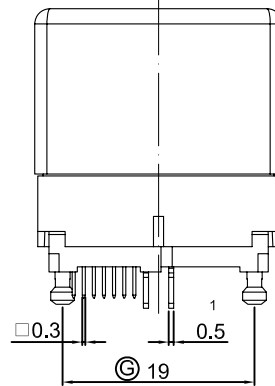
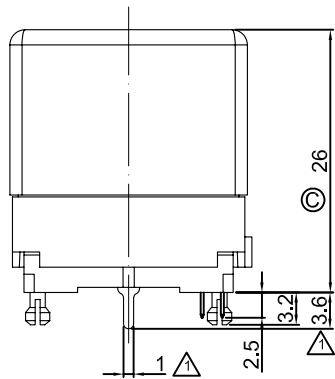
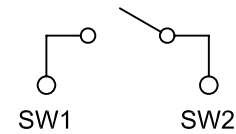
| DIMENSION | TOLERANCE |
|--------------|-----------|
| BELOW 10 mm | ± 0.3 |
| 10~100 mm | ± 0.5 |
| ABOVE 100 mm | ± 0.8 |
| ANGLE | ± 3° |



P.C.B LAYOUT



SCHEMATIC



1. RATING : 12 V DC , 100 mA .
2. CONTACT RESISTANCE : 200 mΩ MAX .
3. INSULATION RESISTANCE : 500 V DC , 100 MΩ MIN .
4. OPERATING TEMPERATURE : -10°C ~ 60°C .
5. OPERATING FORCE : 200± 100gf .
6. OPERATING LIFE : 1000,000 CYCLES .

| | | | | | | | | | |
|---|------------|----------|--------|--------------------------------|------------|-------|-------|--------------|-------------------------|
| △ | | | | DATE | 2010/09/28 | UNIT | mm | MODE | LCD DISPLAY PUSH SWITCH |
| △ | | | | APPROVAL | KAVEN | SCALE | 1 : 1 | PART | PS007-N11AK |
| △ | 2011/06/08 | KAVEN | XUWEI | 中间端子部分结构变更 | CONFIRM | ALAN | VIEW | 2D FILE NAME | PS007-N11AK |
| | DATE | APPROVAL | DESIGN | ENGINEERING CHANGE DESCRIPTION | DESIGN | XUWEI | VER. | 01 | 3D FILE NAME |

