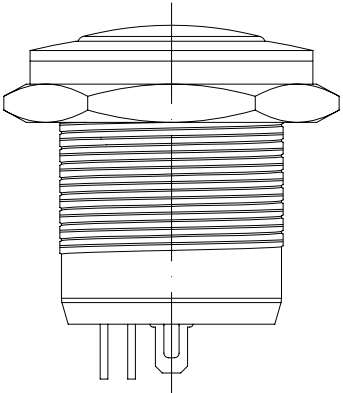
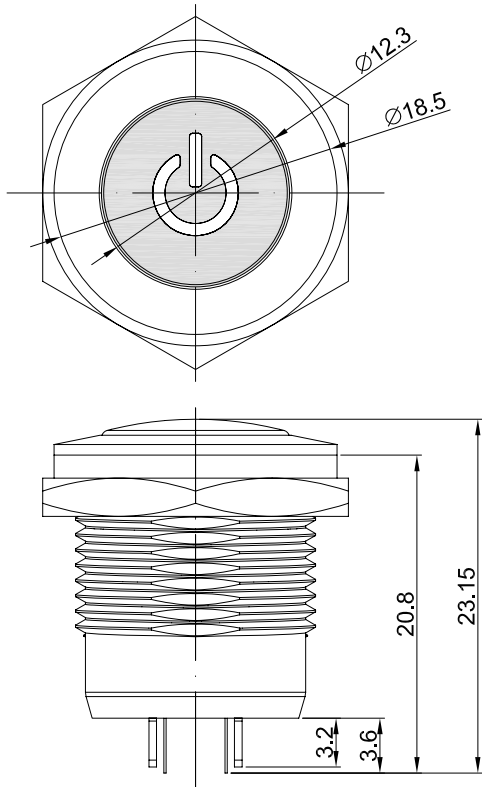
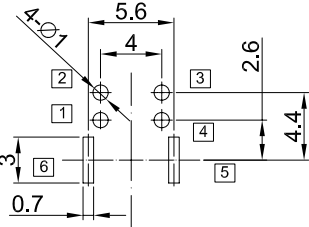


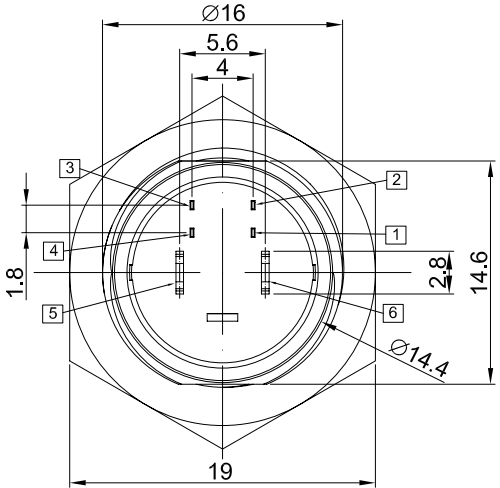
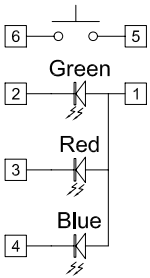
DIMENSION	TOLERANCE
BELOW 10 mm	± 0.3
10~100 mm	± 0.5
ABOVE 100 mm	± 0.8
ANGLE	± 3°



P.C.B LAYOUT



CIRCUIT DIAGRAM

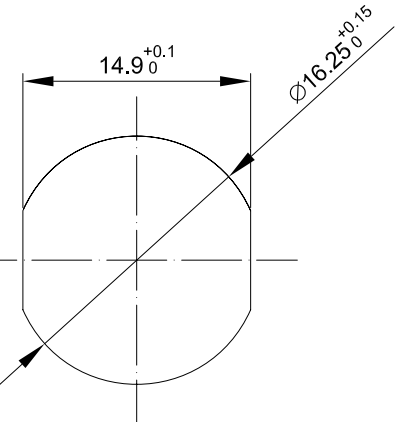


COLOR OF LED

G	Green	Y	Yellow
R	Red	B	Blue
O	Orange	W	White
RGB	FULL COLOR		

1. OPERATION : LOCK TYPE
2. RATING : 12 V DC , 50 mA .
3. CONTACT RESISTANCE : 100 mΩ MAX .
4. INSULATION RESISTANCE : 500 V DC , 100MΩ MIN .
5. OPERATION FORCE : 300± 100 gf .
6. OPERATION TEMPERATURE RANGE : -20°C ~ +70°C .
7. OPERATION LIFE : 100,000 CYCLES .
8. SEALING: PANEL SEALED TO IP67

PANEL CUT OUT



△					DATE	2012/11/07	UNIT	mm	MODE	PUSH BUTTON SWITCH WITH LED
△					APPROVAL	KAVEN	SCALE	1 : 1	PART	PS021-L11AASSK3-RGB
△					CONFIRM	TEREANCE	VIEW	⊕	2D FILE NAME	PS021-L11AASSK3-RGB
	DATE	APPROVAL	DESIGN	ENGINEERING CHANGE DESCRIPTION	DESIGN	JASON	VER.	01	3D FILE NAME	

