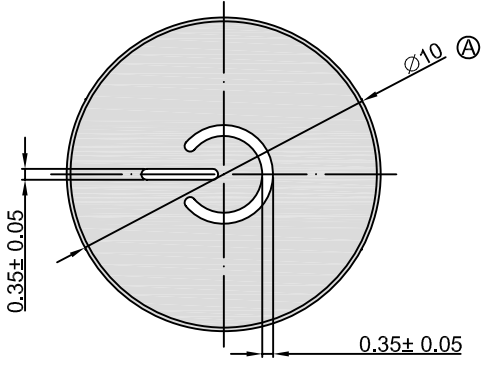
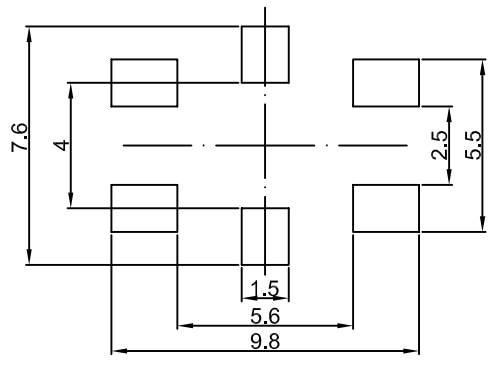


DIMENSION	TOLERANCE
BELOW 10 mm	± 0.3
10~100 mm	± 0.5
ABOVE 100 mm	± 0.8
ANGLE	± 3°



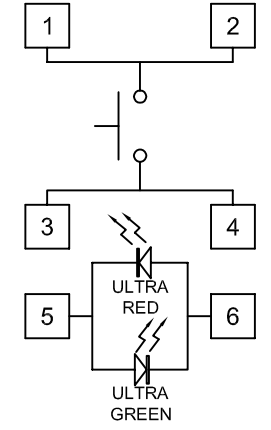
**P.C.B LAYOUT**



**COLOR OF LED**

G	Green	Y	Yellow
R	Red	B	Blue
O	Orange	W	White
X	Without		

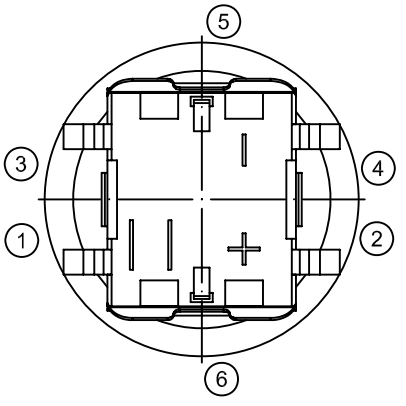
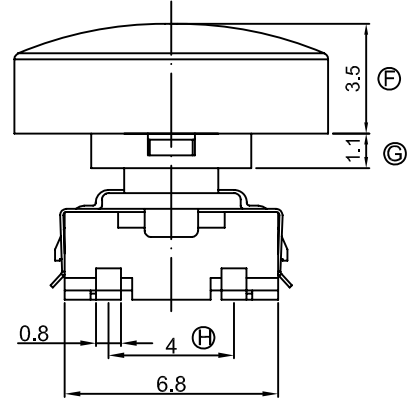
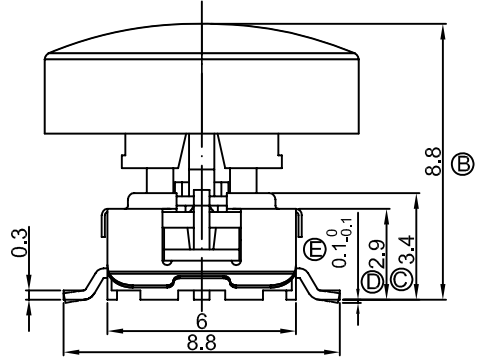
**CIRCUIT DIAGRAM**



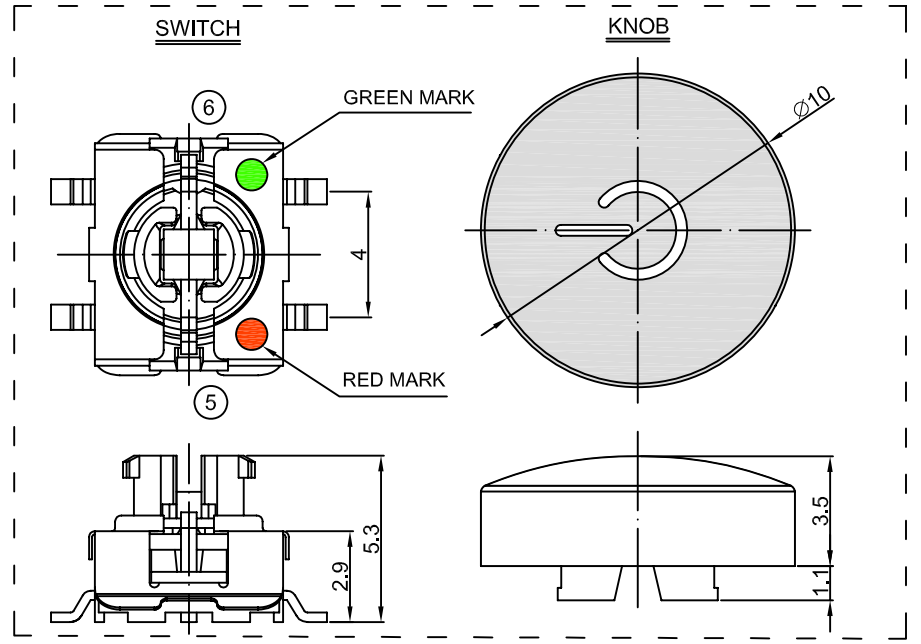
**CAP COLOR**

G	Gray	N	Green
R	Red	Y	Yellow
K	Black	X	Without

The cap have to assembly separately



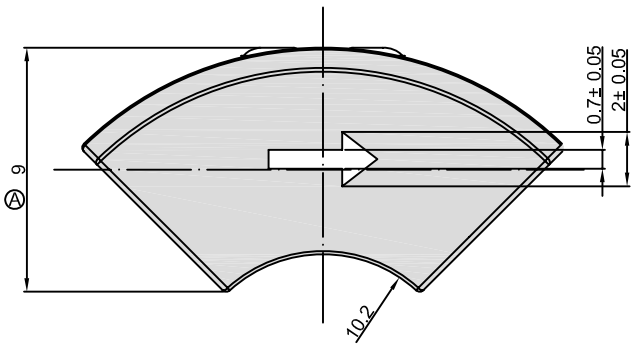
- 1.SMT TYPE .
2. RATING : 12 V DC , 50 mA
3. CONTACT RESISTANCE : 100 mΩ MAX.
4. INSULATION RESISTANCE : 500 V DC , 100MΩ MIN.
5. OPERATION FORCE : 450± 150 gf
6. OPERATION TEMPERATURE RANGE : -20°C ~ +70°C
7. OPERATION LIFE : 500,000 CYCLES
8. DEGREE OF PROTECTION : IP 67



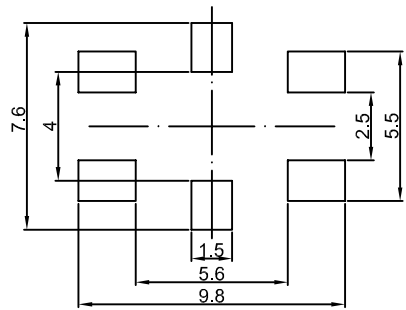
△				DATE	2011/12/02	UNIT	mm	MODE	TACT SWITCH
△				APPROVAL	KAVEN	SCALE	1 : 1	PART	TC009L-N11AABKK3URUG
△				CONFIRM	TEREANCE	VIEW	⊕	2D FILE NAME	TC009L-N11AABKK3URUG
	DATE	APPROVAL	DESIGN	ENGINEERING CHANGE DESCRIPTION	DESIGN	JASON	VER.	01	3D FILE NAME



DIMENSION	TOLERANCE
BELOW 10 mm	± 0.3
10~100 mm	± 0.5
ABOVE 100 mm	± 0.8
ANGLE	± 3°



**P.C.B LAYOUT**



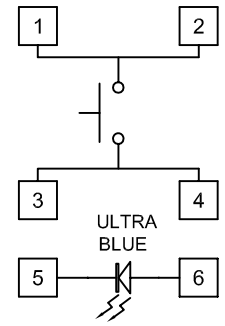
**COLOR OF LED**

G	Green	Y	Yellow
R	Red	B	Blue
O	Orange	W	White
X	Without		

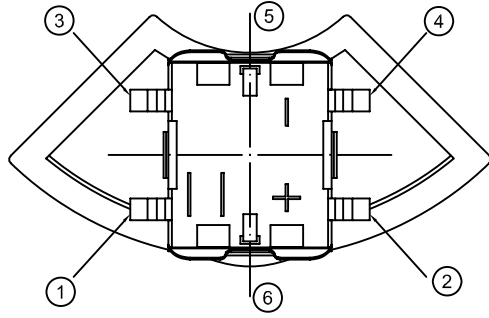
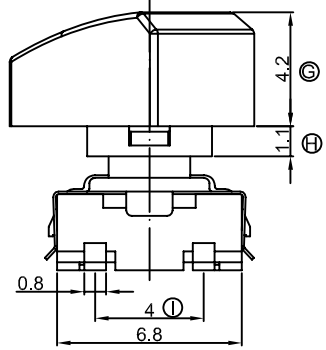
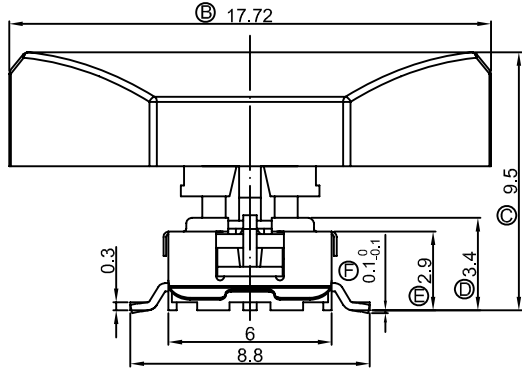
**CAP COLOR**

G	Gray	N	Green
R	Red	Y	Yellow
K	Black	X	Without

**CIRCUIT DIAGRAM**

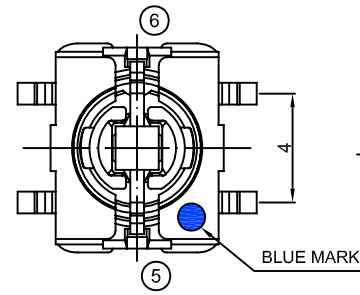


The cap have to assembly separately

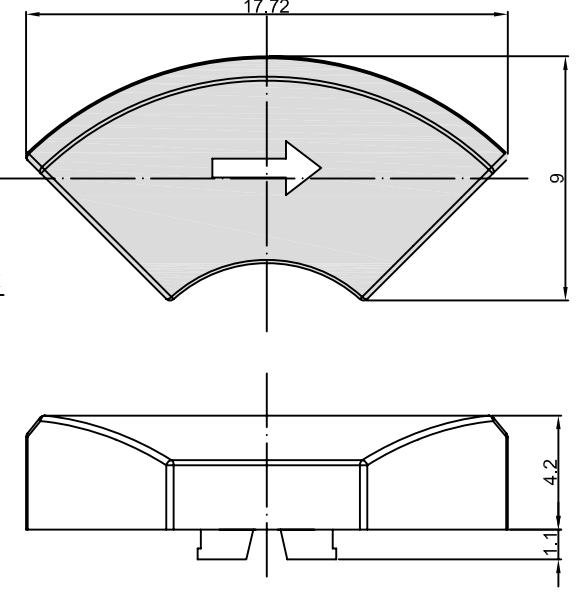


1. SMT TYPE .
2. RATING : 12 V DC , 50 mA
3. CONTACT RESISTANCE : 100 mΩ MAX.
4. INSULATION RESISTANCE : 500 V DC , 100MΩ MIN.
5. OPERATION FORCE : 450± 150 gf
6. OPERATION TEMPERATURE RANGE : -20°C ~ +70°C
7. OPERATION LIFE : 500,000 CYCLES
8. DEGREE OF PROTECTION : IP 67

**SWITCH**



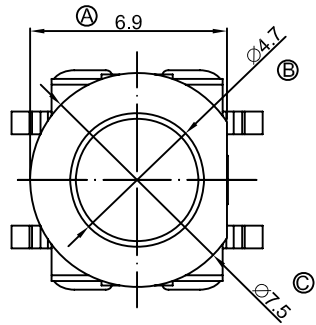
**KNOB**



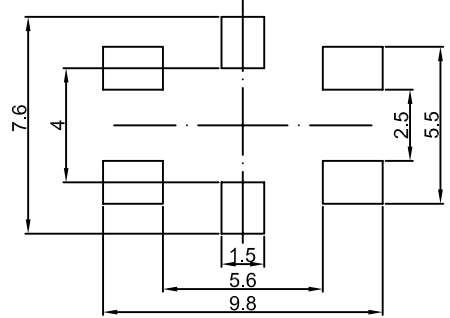
DATE	APPROVAL	DESIGN	ENGINEERING CHANGE DESCRIPTION	DESIGN	DATE	2011/12/08	UNIT	mm	MODE	TACT SWITCH
					APPROVAL	KAVEN	SCALE	1 : 1	PART	TC009L-N11AACKN1UBXX
					CONFIRM	TEREANCE	VIEW		2D FILE NAME	TC009L-N11AACKN1UBXX
					DATE	JASON	VER.	01	3D FILE NAME	



DIMENSION	TOLERANCE
BELOW 10 mm	± 0.3
10~100 mm	± 0.5
ABOVE 100 mm	± 0.8
ANGLE	± 3°



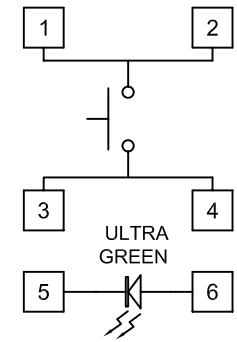
**P.C.B LAYOUT**



**COLOR OF LED**

G	Green	Y	Yellow
R	Red	B	Blue
O	Orange	W	White
X	Without		

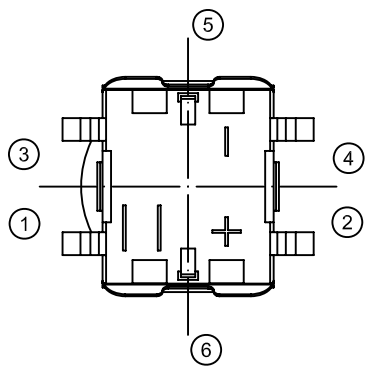
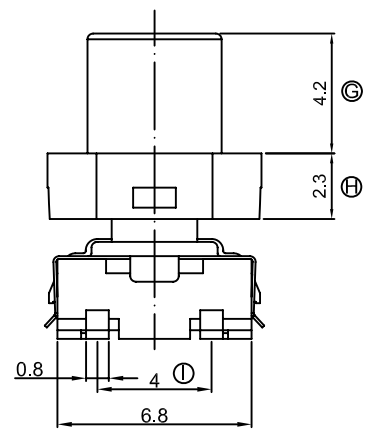
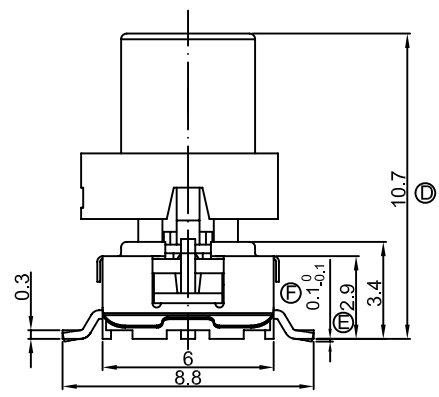
**CIRCUIT DIAGRAM**



**CAP COLOR**

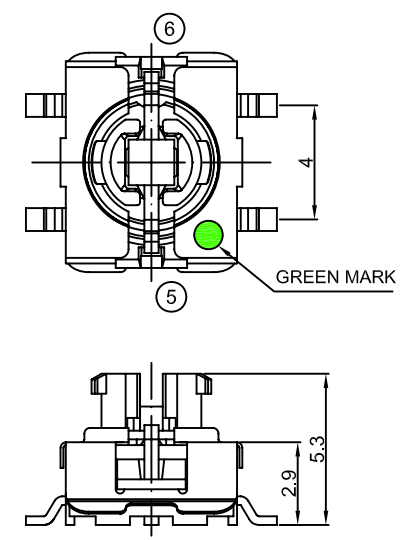
G	Gray	N	Green
R	Red	Y	Yellow
T	Transparent	X	Without

The cap have to assembly separately

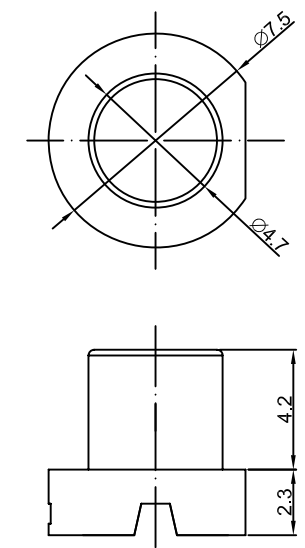


1. SMT TYPE .
2. RATING : 12 V DC , 50 mA
3. CONTACT RESISTANCE : 100 mΩ MAX.
4. INSULATION RESISTANCE : 500 V DC , 100MΩ MIN.
5. OPERATION FORCE : 450± 150 gf
6. OPERATION TEMPERATURE RANGE : -20°C ~ +70°C
7. OPERATION LIFE : 500,000 CYCLES
8. DEGREE OF PROTECTION : IP 67

**SWITCH**



**KNOB**



DATE	APPROVAL	DESIGN	ENGINEERING CHANGE DESCRIPTION	DESIGN	DATE	2013/03/19	UNIT	mm	MODE	TACT SWITCH
					APPROVAL	KAVEN	SCALE	1 : 1	PART	TC009L-N11AADTUGXX
					CONFIRM	TEREANCE	VIEW		2D FILE NAME	TC009L-N11AADTUGXX
					DATE	JASON	VER.	01	3D FILE NAME	

