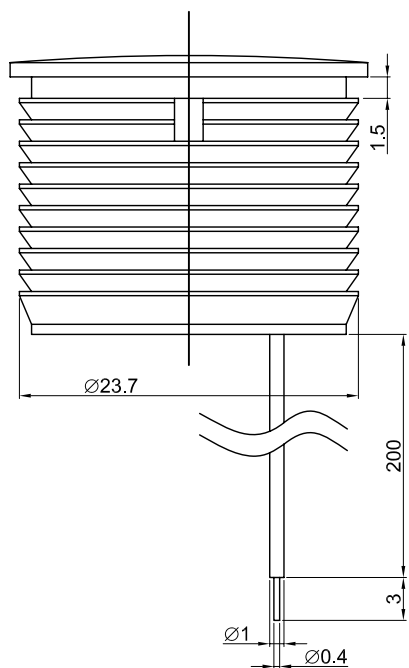
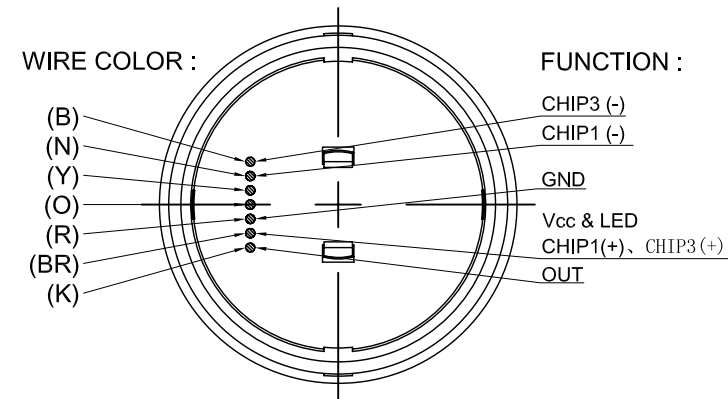
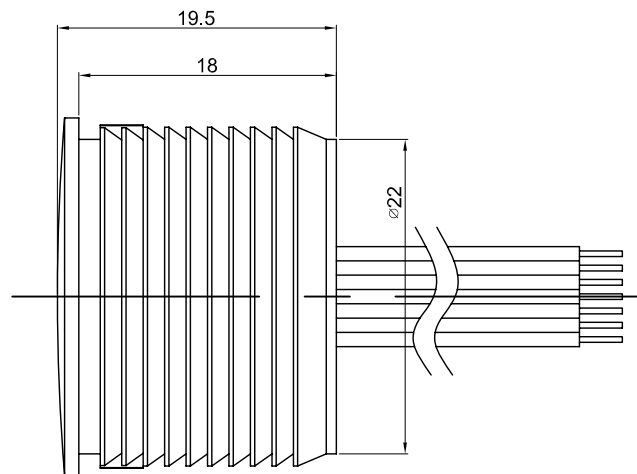
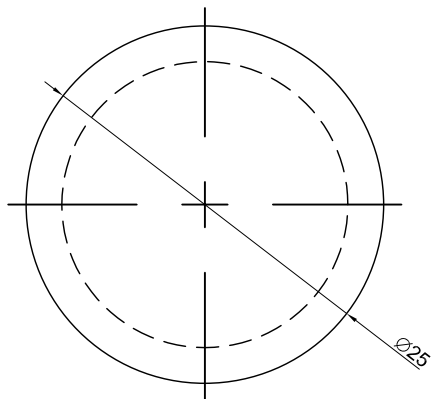
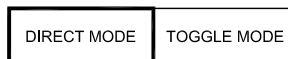


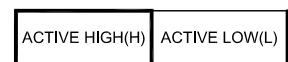
DIMENSION	TOLERANCE
BELOW 10 mm	± 0.3
10~100 mm	± 0.5
ABOVE 100 mm	± 0.8
ANGLE	± 3°



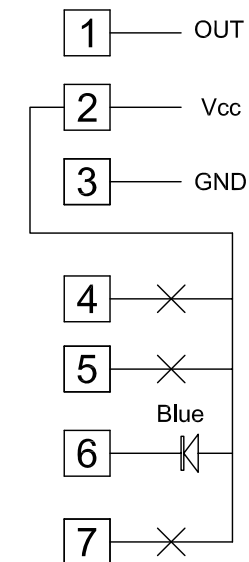
OPERATION



ACTIVE



CIRCUIT DIAGRAM



△				DATE	2011/12/26	UNIT	mm	MODE	TOUCH SWITCH
△				APPROVAL	KAVEN	SCALE	1 : 1	PART	TS003-D11HAWTWTBXX-W200
△				CONFIRM	TEREANCE	VIEW		2D FILE NAME	TS003-D11HAWTWTBXX-W200
	DATE	APPROVAL	DESIGN	ENGINEERING CHANGE DESCRIPTION	DESIGN	HQ	VER.	01	3D FILE NAME