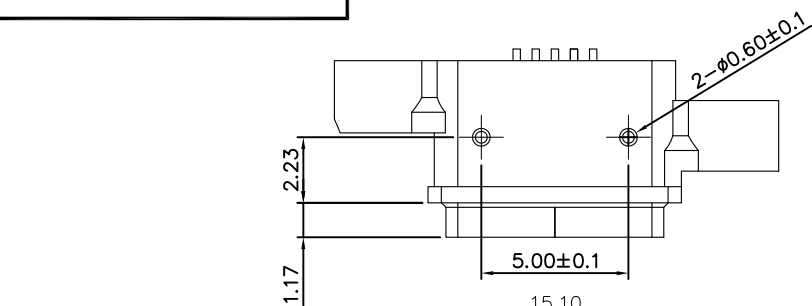
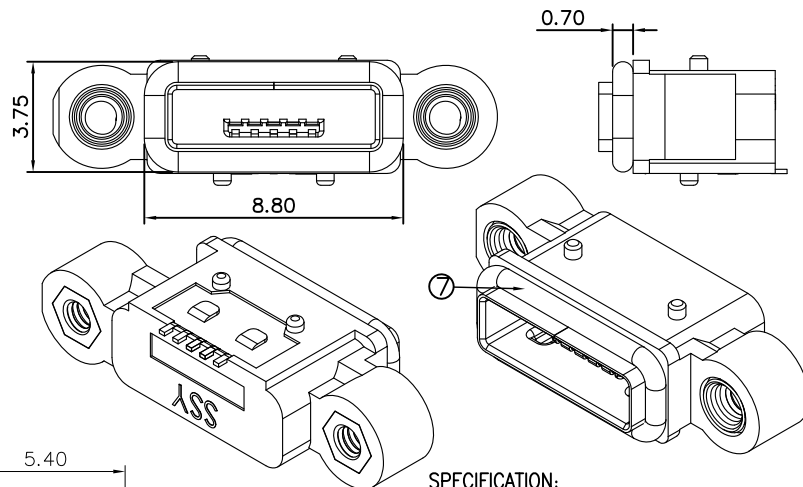


RoHS COMPLIANT

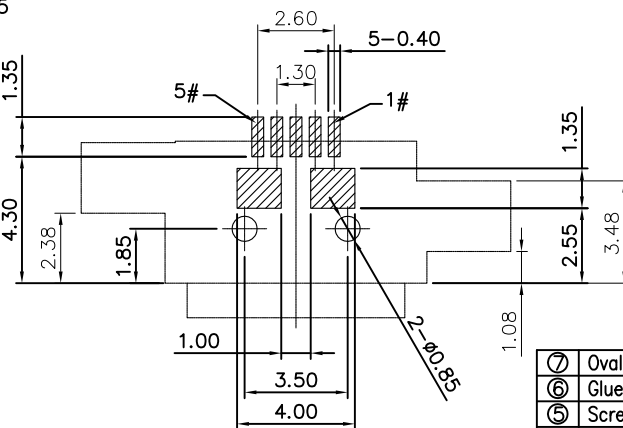
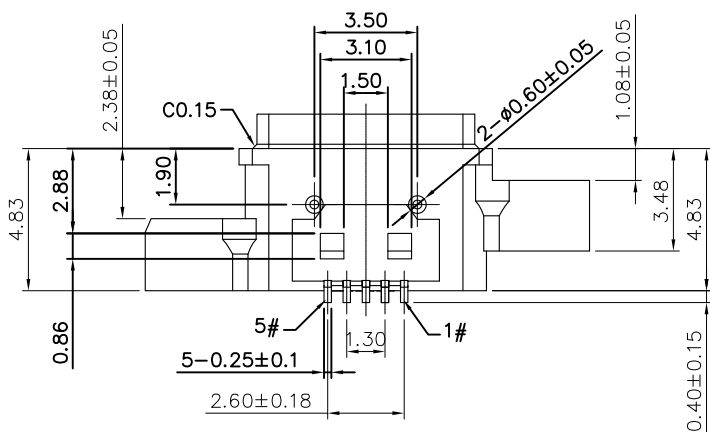
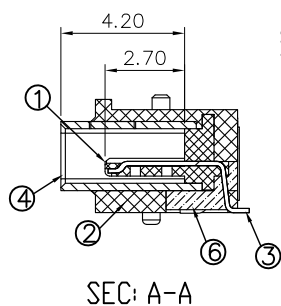


| Contact Number | Signal Name | Remarks |
|----------------|-------------|------------------|
| 1# | VBUS | Power |
| 2# | D- | Date- |
| 3# | D+ | Date+ |
| 4# | ID | Reserve or Gound |
| 5# | GND | Gound |



SPECIFICATION:

- Electrical characteristics
 - Current rating:
 - Signal(Pins2,3,4):DC 1A
 - Power(Pins1,5) :DC 1.8A
 - Voltage rating: AC 30V.
 - Contact resistance:
 - 30mΩ max(initial).
 - 50mΩ max(After Durability)
 - Insulation resistance:
 - 100MΩ min. at 500V DC.
 - Withstanding voltage:
 - 100V AC for 1 minute.
- Mechanical characteristics
 - Life test: 5000 cycles min.
 - Mating force: 35N Max,
 - Unmating force:8N(initial).
 - 6N Min(after life test).
- Temperature range: -40°C~+80°C
- Dustproof and waterproof grade: IP67



Recommended P.C.B. Layout
Unspecified tolerance: ±0.05
(Top view)

| NO. | DESCRIPTION | QTY | MATERIAL | REMARK |
|-----|-------------|-----|---------------------------------|------------------------------|
| ⑦ | Oval ring | 1 | Rubber | Black |
| ⑥ | Glue | 1 | ----- | Black |
| ⑤ | Screw | 2 | Brass | Nickel plated |
| ④ | Inner shell | 1 | Copper alloy or stainless steel | Nickel plated |
| ③ | Terminal | 5 | Copper alloy, 0.15t | Gold Plated On Contact Area. |
| ② | Outer shell | 1 | High temperature thermoplastic | Black |
| ① | Body | 1 | High temperature thermoplastic | Black |

| ECN NO. | REV | DATE | DESCRIPTION | CHANGE | APPRO. | GENERAL TOLERANCE UNLESS OTHERWISE NOTED | SCALE: 5:1 | UNIT:mm | A4 | SHEET: 1 of 1 | FILE NO. | TITLE: | MODEL NO. |
|---------|-----|------------|-------------|--------|--------|--|------------|---------|----|---------------|--------------------|------------------------------|-----------|
| | 00 | 2013.11.16 | NEW | 余军 | 余军 | Angle ±2° 10<L≤20 ±0.3 5<L≤10 ±0.25 L≤5 ±0.20 | | | | | Q/SSY.QW-001A-0456 | TACLEX ELECTRONICS CO., LTD. | USB-1178M |
| | | | | | | | | | | | | | |