

## 具備更高維修保養性能, 更好的密封與耐衝擊性能

- NC 接點側增加了直接開路動作功能(NC接點發生溶化現象時, 接點將直接產生直接開離現象)
- 加強頭部的密封構造, 大幅提升密封性
- 環境適用溫度更為廣泛 可從-40 到+80°C
- 符合UL, CSA, CCC, EN(TUV)認證

### Superior maintenance, seal and resistance to shocks

- NC contacts direct opening mechanism added (able to open contacts when faults occur).
- Strengthen the head seal structure to increase seal propertie.
- Wide ambient operating temperature range: -40 ~+80°C.
- Approved by UL, CSA, CCC, EN(TUV).

#### ■性能 Characteristics

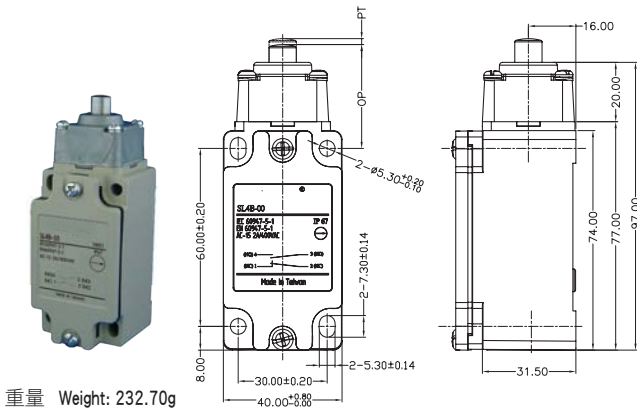
|   |  |  |
|---|--|--|
| 保護結構 Degree of protection                                 |  | IP67 (EN60947-5-1)   |
| 壽命<br>Durability  | 機械性 Mechanical   | 30,000,000 operations min. (snap-action)<br>10,000,000 operations min. (slow-action) |
|   | 電器性 Electrical   | 500,000 operations min.<br>(10 A resistive load at 250 VAC)                          |
| 容許操作速度 Operating Speed                                    |  | 1 mm/s to 0.5 m/s  |
| 容許操作頻率<br>Operating Frequency                             | 機械性 Mechanical   | 120 operations /min  |
|   | 電器性 Electrical   | 30 operations /min   |
| 額定頻率 Rated Frequency                                      |  | 50/60Hz  |
| 絕緣阻抗(絕緣電阻) Insulation Resistance                          |  | 100MΩ min.   |
| 接觸阻抗(接點電阻) Contact Resistance                             |  | 25mΩ max (initial value)   |
| 耐電壓<br>Dielectric Strength                                | 同極端子間<br>Between terminals of same polarity                              | Uimp 2.5 kV (snap-action)<br>Uimp 4 kV (slow-action)                                 |
|   | 異極端子間 Between terminals of different polarity                            | Uimp 4 kV (slow-action)  |
|   | 充電金屬部與接地端間<br>Between current-carrying metal parts and ground            | Uimp 4kV   |
|   | 各端子與非充電金屬部間<br>Between each terminal and non-current-carrying metal part | Uimp 4kV   |
| 額定絕緣電壓 (Ui) Rated insulation voltage (Ui)                 |  | 600V(EN60947-5-1)  |
| 開閉時逆起電壓 OFF reverse voltage                               |  | 1500V max.(EN60947-5-1)  |
| 污染度(使用環境) Pollution degree (Application environment)      |  | 3 (EN60947-5-1)  |
| 附帶條件短路電流 Conditional short-circuit current                |  | 100A (EN60947-5-1)   |
| 額定封閉熱電流(Ithe) Conventional enclosed thermal current(Ithe) |  | 20A (EN60947-5-1)  |
| 觸電保護等級 Electric shock protection class                    |  | Class I (with ground terminal)   |
| 振動<br>Vibration Resistance                                | 誤動作 Malfunction  | 10-55 Hz, 0.75mm single amplitude (單振幅)  |
| 衝擊<br>Shock Resistance                                    | 耐久 Destruction   | 1,000m/s <sup>2</sup> min.   |
|   | 誤動作 Malfunction  | 300m/s <sup>2</sup> min.   |
| 使用環境溫度 Ambient operating temperature range                |  | -40°C~+80°C(with no icing 不結冰)   |
| 使用環境濕度 Ambient operating humidity range                   |  | 95%RH max.   |
| 包裝說明 Packing  |  | 1pc /Box   |

★備註 1.以上為初始值 2.上述性能內容將因機種型式而有所不同.請另行洽詢 3.上述壽命值是為周圍溫度5-35度C·周圍濕度40-70%RH時之條件。如您需要其它詳細條件,請另行洽詢。

★Note: 1. Above values of these characteristics are initial values. 2. Above values of these characteristics may be depending on different models. If any requirements, pls contact our DECA sales representative. 3. Above durability is for an ambient temperature of 5 to 35° and ambient humidity of 40% to 70%. If any requirements, pls contact our DECA sales representative.

### SL4B-00

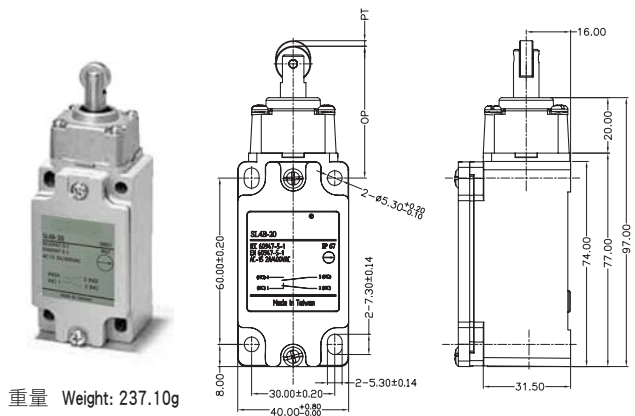
- 標準柱塞型  
Standard Pin Plunger



重量 Weight: 232.70g

### SL4B-20

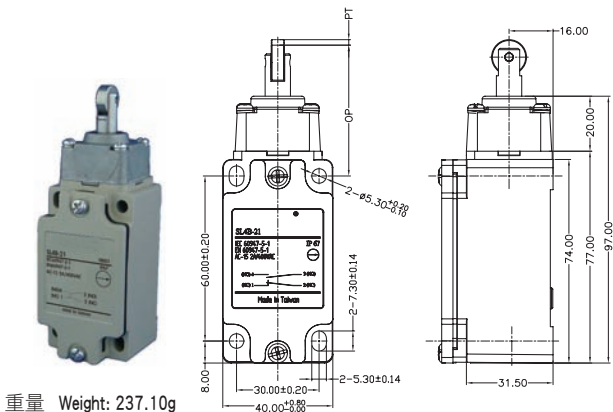
- 標準滾輪柱塞型  
Top Roller Plunger



重量 Weight: 237.10g

### SL4B-21

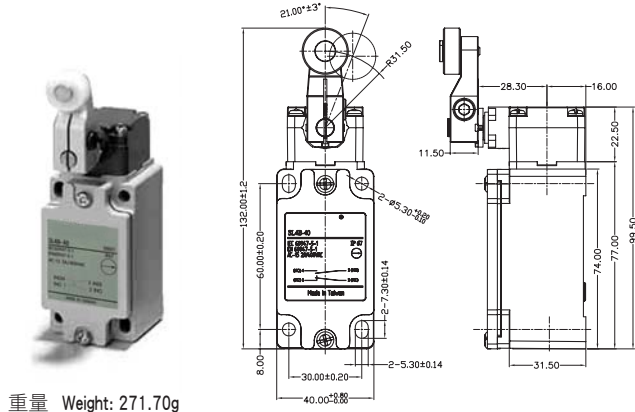
- 標準橫向滾輪柱塞型  
Top Crossroller Plunger



重量 Weight: 237.10g

### SL4B-40

- 站立標準滾輪擺桿型  
Vertical Standard Roller Lever



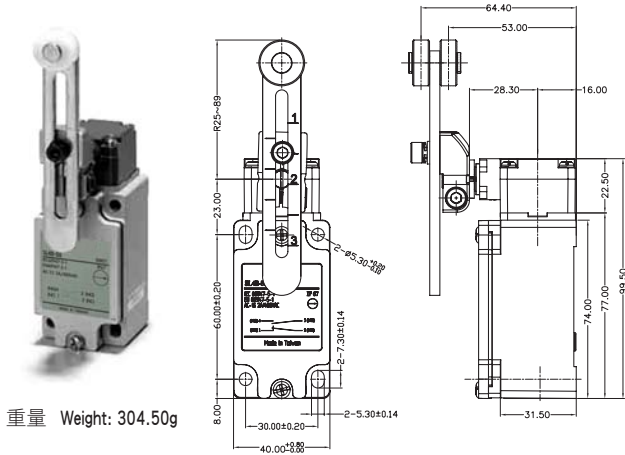
重量 Weight: 271.70g

### 動作特性 Operating Characteristics

| O.Characteristics | Model      | SL4B-00  | SL4B-20  | SL4B-21  | SL4B-40  |
|-------------------|------------|----------|----------|----------|----------|
| 動作所需的力            | OF 最大 MAX  | 18.63N   | 18.63N   | 18.63N   | 9.41N    |
| 復歸力               | RF 最小 MIN  | 1.96N    | 1.96N    | 1.96N    | 1.47N    |
| 動作前的移動            | PT         | 2mm      | 2mm      | 2mm      | 21° ± 3° |
|                   | PT (2nd)   | (3mm)    | (3mm)    | (3mm)    | (45°)    |
| 動作後的移動            | OT 最小 MIN  | 5mm      | 5mm      | 5mm      | 50°      |
| 應差的移動             | MD 最大 MAX  | 1mm      | 1mm      | 1mm      | 12°      |
| 直接開路前的移動          | DOT 最小 MIN | 3.2mm    | 3.2mm    | 3.2mm    | 35°      |
|                   |            | 3.2mm    | 3.2mm    | 3.2mm    | 55°      |
| 直接開路動作力           | DOF 最小 MIN | 49.03N   | 49.03N   | 49.03N   | 19.61N   |
| 全體動作              | TT         | (7mm)    | (7mm)    | (7mm)    | (75°)    |
| 自由位置              | FP MAX     | 38mm     | 51mm     | 51mm     |          |
| 動作位置              | OP         | 35 ± 1mm | 48 ± 1mm | 48 ± 1mm |          |

### SL4B-50

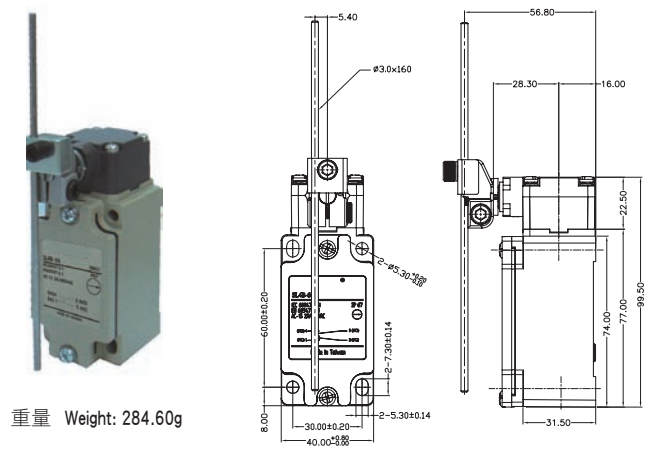
- 可調滾輪擺桿型  
Adjustable Roller Lever



重量 Weight: 304.50g

### SL4B-66

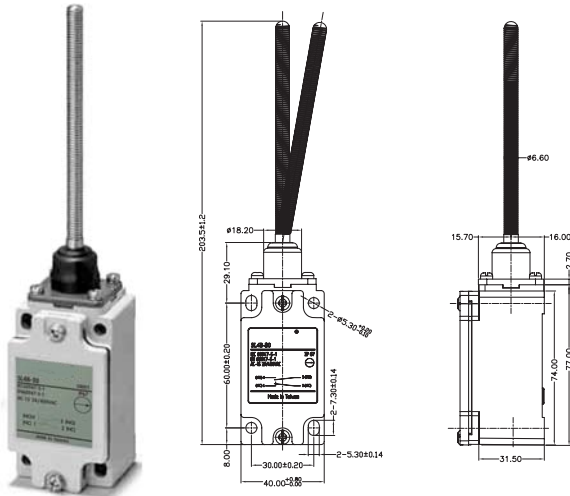
- 可調棒狀擺桿型  
Adjustable Rod Lever



重量 Weight: 284.60g

### SL4B-80

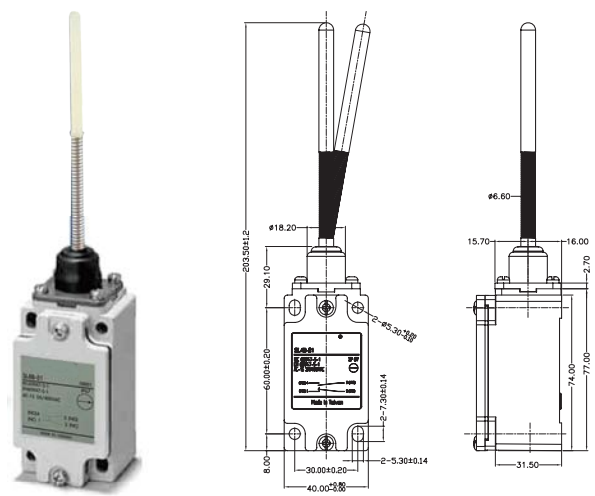
- 盤簧無方向型式  
Coil Spring



重量 Weight: 221.30g

### SL4B-81

- 塑膠棒無方向型  
Plastic Rod



重量 Weight: 211.20g

### 動作特性 Operating Characteristics

| O.Characteristics | Model      | SL4B-50  | SL4B-66  | SL4B-80 | SL4B-81 |
|-------------------|------------|----------|----------|---------|---------|
| 動作所需的力            | OF 最大 MAX  | 9.41N    | 2.12N    | 1.47N   | 1.47N   |
| 復歸力               | RF 最小 MIN  | 1.47N    | 0.29N    |         |         |
| 動作前的移動            | PT         | 21° ± 3° | 21° ± 3° | 15°     | 15°     |
|                   | PT (2nd)   | (45°)    | (45°)    |         |         |
| 動作後的移動            | OT 最小 MIN  | 50°      | 50°      |         |         |
| 應差的移動             | MD 最大 MAX  | 12°      | 12°      |         |         |
| 直接開路前的移動          | DOT 最小 MIN | 35°      | 35°      |         |         |
|                   |            | 55°      | 55°      |         |         |
| 直接開路動作力           | DOF 最小 MIN | 19.61N   | 19.61N   |         |         |
| 全體動作              | TT         | (75°)    | (75°)    |         |         |