

具備更高維修保養性能, 更好的密封與耐衝擊性能

- 加強頭部的密封構造, 大幅提升密封性
- 符合UL, CSA, CCC, EN(TUV) 認證
- NC 接點側增加了直接開路動作功能(NC接點發生溶化現象時, 接點將直接產生直接開離現象)
- 環境適用溫度更為廣泛 可從-40 到+80°C

Superior maintenance, seal and resistance to shocks

- Strengthen the head seal structure to increase seal properties.
- Wide ambient operating temperature range: -40 ~+80°C.
- Approved by UL, CSA, CCC, EN(TUV).
- NC contacts direct opening mechanism added (able to open contacts when faults occur).

■性能 Characteristics

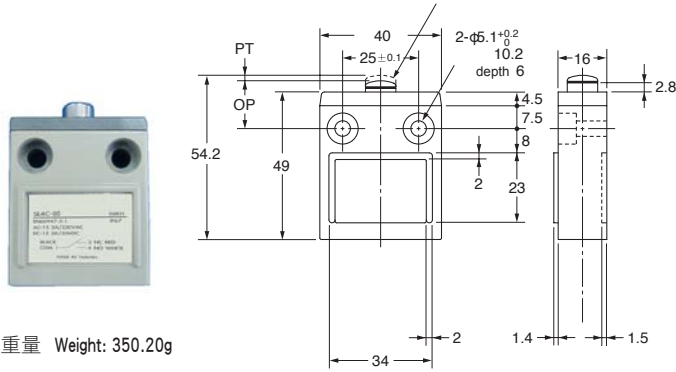
保護結構 Degree of protection		IP67
壽命 Durability	機械性 Mechanical	10,000,000 operations min.
	電器性 Electrical	200,000 operations min. (5A at 125VAC, resistive load)
容許操作速度 Operating Speed		0.1mm/s to 0.5m/s (in case of plunger) 1mm/s to 1m/s (in case of roller plunger)
容許操作頻率 Operating Frequency	機械性 Mechanical	120 operations /min
	電器性 Electrical	30 operations /min
額定頻率 Rated Frequency		50/60Hz
絕緣阻抗(絕緣電阻) Insulation Resistance		100MΩ min. (at 500VDC)
接觸阻抗(接點電阻) Contact Resistance		300mΩ max.(initial value with 3M VCTF cable) 400mΩ max.(initial value with 5M VCTF cable)
耐電壓 Dielectric Strength	同極端子間 Between terminals of same polarity	1,000 VAC, 50/60 Hz for 1min
	充電金屬部與接地端間 Between current-carrying metal parts and ground	1,500VAC 50/60Hz for 1min U _{imp} :2.5kv (EN60947-5-1)
	各端子與非充電金屬部間 Between each terminal and non-current-carrying metal part	1,500VAC 50/60Hz for 1min U _{imp} :2.5kv (EN60947-5-1)
額定絕緣電壓(U _i) Rated insulation voltage (U _i)		300V (EN60947-5-1)
污染度(使用環境) Pollution degree (Application environment)		3 (EN60947-5-1)
短路保護裝置 Short-circuit protective device (SCPO)		10A fuse type g1 or gG (ICE60269)
附帶條件短路電流 Conditional short-circuit current		100A(EN60947-5-1)
額定封閉熱電流(I _{the}) Conventional enclosed thermal current(I _{the})		5A,4A,0.5A(EN60947-5-1)
觸電保護等級 Electric shock protection class		Class I (with grounding wire)
振動 Vibration Resistance	誤動作 Malfunction	10-55 Hz 1.5 mm double amplitude (雙振幅)
	耐久 Destruction	1,000m/s ² min.
衝擊 Shock Resistance	誤動作 Malfunction	500m/s ² min.
	使用環境溫度 Ambient operating temperature range	-10°C~+70°C (with no icing 不結冰)
使用環境濕度 Ambient operating humidity range		35%~90%RH max.
包裝說明 Packing		1pc /Box

★備註 1.以上為初始值 2.上述性能內容將因機種型式而有所不同,請另行洽詢 3.上述壽命值是為周圍溫度5-35度C, 周圍濕度40-70%RH時之條件。如您需要其它詳細條件, 請另行洽詢。

★Note: 1. Above values of these characteristics are initial values. 2. Above values of these characteristics may be depending on different models. If any requirements, pls contact our DECA sales representative. 3. Above durability is for an ambient temperature of 5 to 35°C and ambient humidity of 40% to 70%. If any requirements, pls contact our DECA sales representative.

SL4C-00

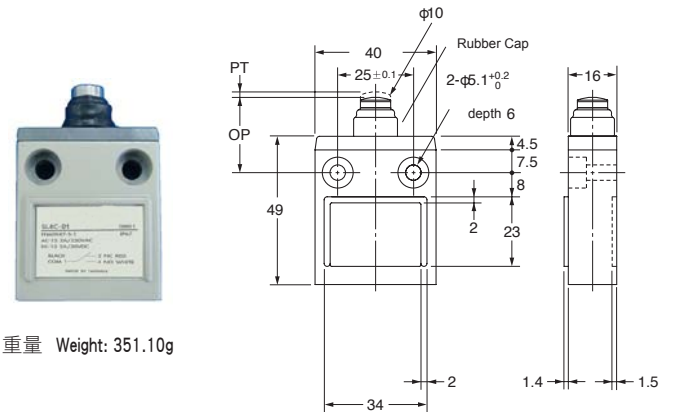
- 標準柱塞型
Standard Pin Plunger



重量 Weight: 350.20g

SL4C-01

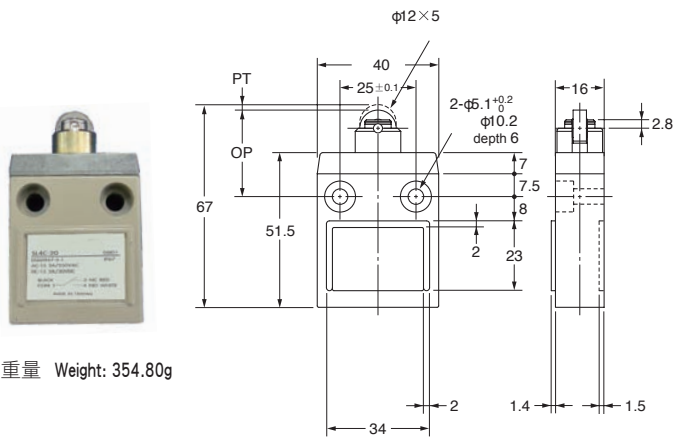
- 密封柱塞型
Sealed Plunger



重量 Weight: 351.10g

SL4C-20

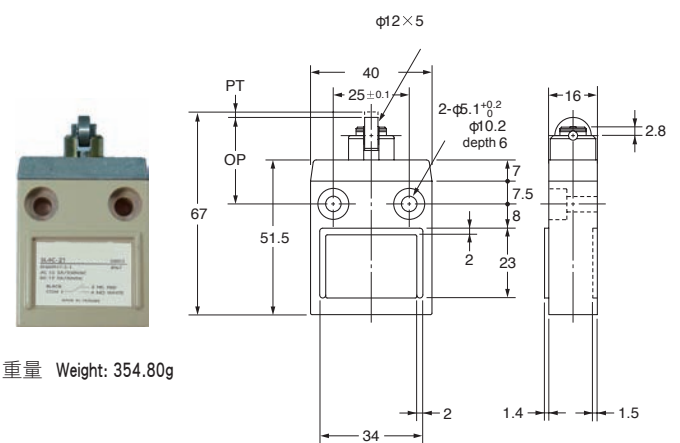
- 標準滾輪柱塞型
Standard Roller Plunger



重量 Weight: 354.80g

SL4C-21

- 橫向滾珠柱塞型
Crossroller Plunger



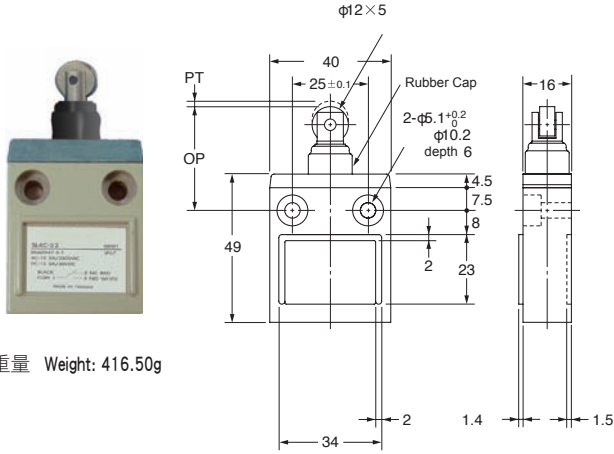
重量 Weight: 354.80g

■動作特性 Operating Characteristics

O.Characteristics	Model	SL4C-00	SL4C-01	SL4C-20	SL4C-21
動作力	OF MAX	11.77N	17.65N	11.77N	11.77N
回復力	RF MIN	4.41N	4.41N	4.41N	4.41N
預行程	PT MAX	1.8mm	1.8mm	1.8mm	1.8mm
過行程	OT MIN	3mm	3mm	3mm	3mm
應差距離	MD MAX	0.2mm	0.2mm	0.2mm	0.2mm
動作位置	OP	15.7 ± 1mm	24.9 ± 1mm	28.5 ± 1mm	28.5 ± 1mm
總行程	TT	—	(5)mm	—	—

SL4C-22

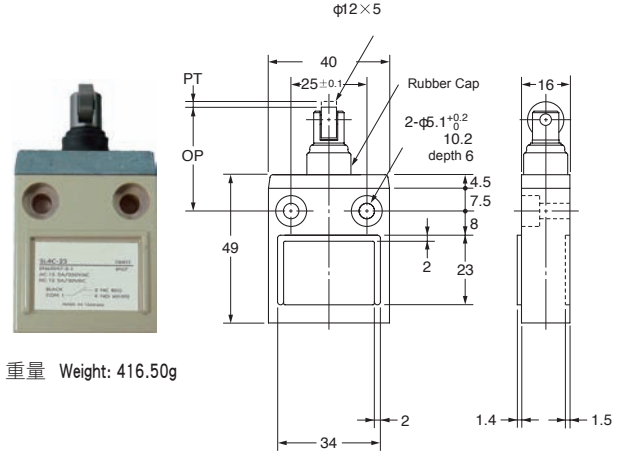
- 密封滾輪柱塞型
Sealed Roller Plunger



重量 Weight: 416.50g

SL4C-23

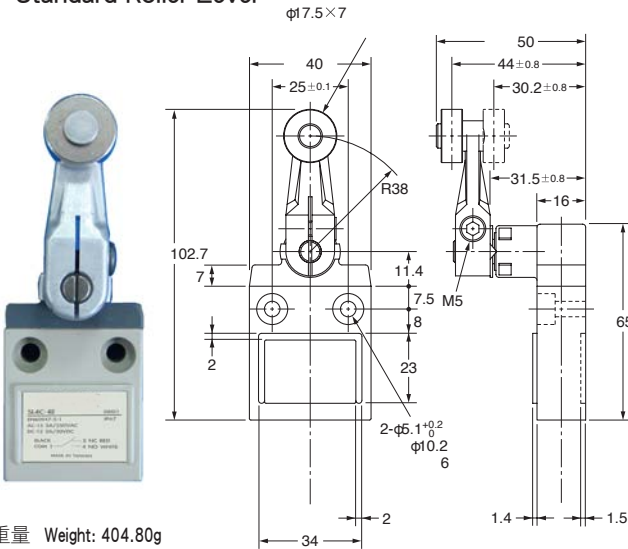
- 密封橫向滾輪柱塞型
Sealed Crossroller Plunger



重量 Weight: 416.50g

SL4C-40

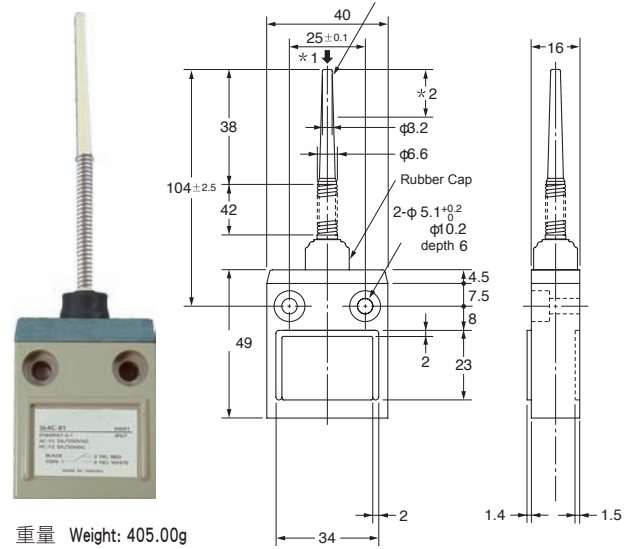
- 標準擺桿型
Standard Roller Lever



重量 Weight: 404.80g

SL4C-81

- 塑膠棒無方向型
Plastic Rod



重量 Weight: 405.00g

動作特性 Operating Characteristics

O.Characteristics	Model	SL4C-22	SL4C-23	SL4C-40	SL4C-81
動作力	OF MAX	17.65N	17.65N	5.69N	1.47N
回復力	RF MIN	4.41N	4.41N	1.47N	—
預行程	PT MAX	1.8mm	1.8mm	25°	15°
過行程	OT MIN	3mm	3mm	40°	—
應差距離	MD MAX	0.2mm	0.2mm	3°	—
動作位置	OP	34.3 ± 1mm	34.3 ± 1mm	—	—
總行程	TT	(5)mm	(5)mm	—	—