

站立式小型縱型亞洲標準尺寸

- 一般站立型限位開關的1/3的小型化提供
- 端子部全開放構造，便於佈線

- RoHS對應
- 保護構造: IP65

Vertical Models and Miniature Size for Asian Standards

- SL4V approximately 1/3 the size of typical vertical limit switches.
- Opened Structures to terminal section could be wiring easily.
- RoHS Compliant.
- Degree of protection : IP65

■性能 Characteristics

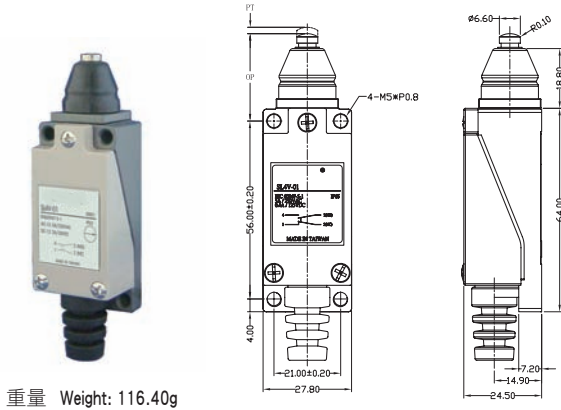
保護結構 Degree of protection		IP65
壽命 Durability	機械性 Mechanical	10,000,000 operations min.
	電器性 Electrical	300,000 operations min. (5A at 250VAC, resistive load)
容許操作速度 Operating Speed		5mm-0.5m/s
容許操作頻率 Operating Frequency	機械性 Mechanical	120 operations /min
	電器性 Electrical	30 operations /min
額定頻率 Rated Frequency		50/60Hz
絕緣阻抗(絕緣電阻) Insulation Resistance		100M Ω min. (at 500VDC)
接觸阻抗(接點電阻) Contact Resistance		25m Ω max. (initial value)
耐電壓 Dielectric Strength	同極端子間 Between terminals of same polarity	1,000VAC 50/60Hz for 1min
	充電金屬部與接地端間 Between current-carrying metal parts and ground	1,500VAC 50/60Hz for 1min
額定絕緣電壓 (Ui) Rated insulation voltage (Ui)		250V
污染度(使用環境) Pollution degree (Application environment)		3 (EN60947-5-1)
附帶條件短路電流 Conditional short-circuit current		100A(EN60947-5-1)
額定開放熱電流(I _{th}) Rated open thermal current(I _{th})		5A(EN60947-5-1)
觸電保護等級 Electric shock protection class		Class I
振動 Vibration Resistance	誤動作 Malfunction	10-55 Hz 1.5 mm double amplitude (雙振幅)
衝擊 Shock Resistance	耐久 Destruction	1,000m/s ² (free position) min.
	誤動作 Malfunction	300m/s ² (operation limit position) min.
使用環境溫度 Ambient operating temperature range		-20~+60°C (with no icing 不結冰)
使用環境濕度 Ambient operating humidity range		90%RH max.
包裝說明 Packing		5pcs /Box

★備註 1.以上為初始值 2.上述性能內容將因機種型式而有所不同.請另行洽詢 3.上述壽命值是為周圍溫度5-35度C・周圍濕度40-70%RH時之條件。如您需要其它詳細條件，請另行洽詢。

★Note: 1. Above values of these characteristics are initial values. 2. Above values of these characteristics may be depending on different models. If any requirements, pls contact our DECA sales representative. 3. Above durability is for an ambient temperature of 5 to 35°C and ambient humidity of 40% to 70%. If any requirements, pls contact our DECA sales representative.

SL4V-01

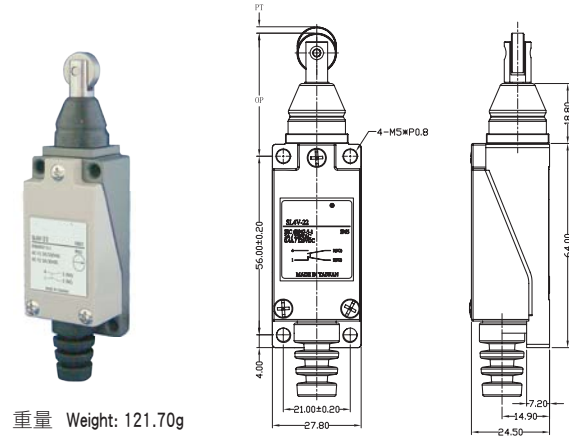
- 密封柱塞型
Sealed Push Plunger



重量 Weight: 116.40g

SL4V-22

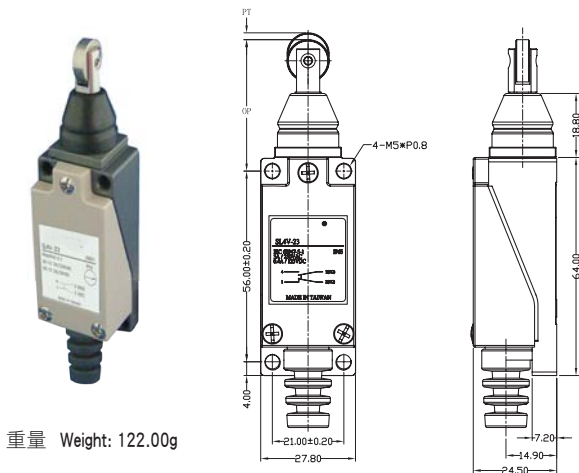
- 密封滾輪柱塞型
Sealed Roller Plunger



重量 Weight: 121.70g

SL4V-23

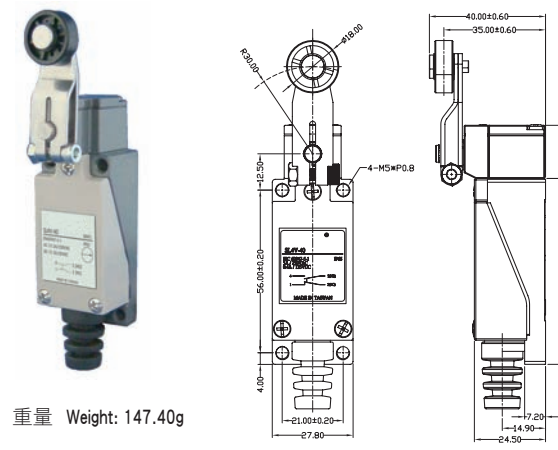
- 密封橫向滾輪柱塞型
Sealed Crossroller Plunger



重量 Weight: 122.00g

SL4V-40

- 標準滾輪擺桿
Standard Roller Lever



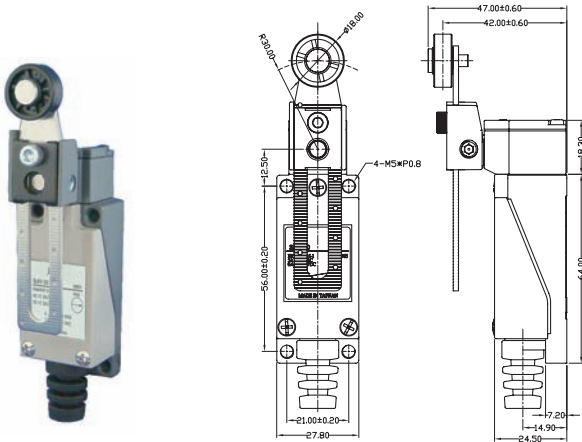
重量 Weight: 147.40g

動作特性 Operating Characteristics

			Model	SL4V-01	SL4V-22	SL4V-23	SL4V-40
O.Characteristics							
動作力	OF	MAX		9.8N	9.8N	9.8N	5.88N
回復力	RF	MIN		2.94N	2.94N	2.94N	0.49N
預行程	PT	MAX		1.5mm	1.5mm	1.5mm	20°
過行程	OT	MIN		4mm	4mm	4mm	75°
應差距離	MD	MAX		1.2mm	1.2mm	1.2mm	10°
自由位置	TTP	MIN		5.5mm	5.5mm	5.5mm	95°
動作位置	OP			26 ± 0.8mm	37 ± 0.8mm	37 ± 0.8mm	---

SL4V-50

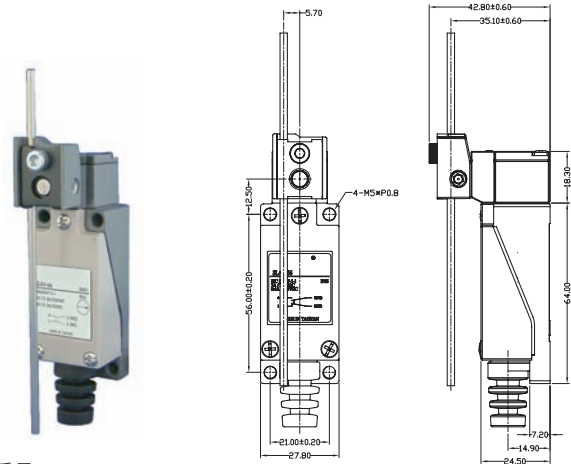
- 可調滾輪擺桿型
Adjustable Roller Lever



重量 Weight: 120.50g

SL4V-66

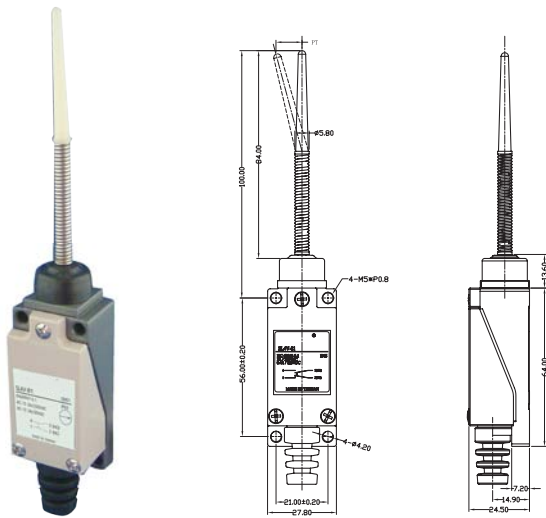
- 可調式棒狀擺桿型
Adjustable Rod Lever



重量 Weight: 158.80g

SL4V-81

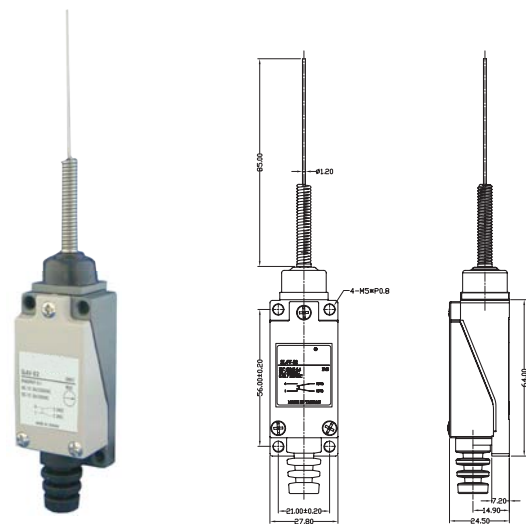
- 塑膠棒無方向型
Omnidirectional Coil Spring



重量 Weight: 114.00g

SL4V-82

- 鋼絲彈簧無方向型
Omnidirectional Wire Spring



重量 Weight: 112.50g

■動作特性 Operating Characteristics

O.Characteristics		Model	SL4V-50	SL4V-66	SL4V-81	SL4V-82
動作力	OF	MAX	7.84N	5.88N	0.88N	0.88N
回復力	RF	MIN	0.49N	0.69N	—	—
預行程	PT	MAX	20°	20°	30mm	30mm
過行程	OT	MIN	75°	75°	—	—
應差距離	MD	MAX	10°	10°	—	—
自由位置	TTP	MIN	95°	95°	—	—
動作位置	OP		—	—	—	—