

更加輕巧與具備高度密封性之封裝開關

- 改變內置開關的彈簧與擺桿比例,延長機械壽命
- 新型連接器方式可以在配線時縮短維護時間

- 內置開關增加蓋子, 加強防塵與防油性功能
- 符合EN, UL, CSA, CCC安規認證

Slim Enclosed Switch with High Sealed Function

- Improved the flat springs and lever ratio of the built-in switch to ensure one longer life expectancy.
- Protection cover increased the function of dust-proof and waterproof.
- New connector styles decreased the maintenance labors for wiring.
- Approved by EN, UL, CSA, and CCC.

■性能 Characteristics

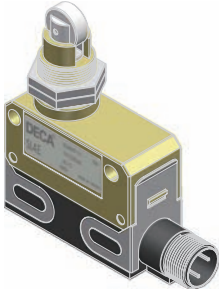
保護結構 Degree of protection		IP67
壽命 Durability	機械性 Mechanical	10,000,000 operations min.
	電器性 Electrical	500,000 operations min. for 5A 250VAC resistive load
容許操作速度 Operating Speed		0.1mm/s-0.5m/s
容許操作頻率 Operating Frequency	機械性 Mechanical	120 operations (次) /min
	電器性 Electrical	30 operations (次) /min
額定頻率 Rated Frequency		50/60Hz
絕緣阻抗(絕緣電阻) Insulation Resistance		100MΩ min. (at 500VDC)
接觸阻抗(接點電阻) Contact Resistance		15mΩ max. (initial value for the built-in switch when tested alone)
耐電壓 Dielectric Strength	同極端子間 Between terminals of same polarity	1,000 VAC 50/60Hz for 1min
	各端子與非充電金屬部間 Between each terminal and non-current-carrying metal part	1,500 VAC 50/60Hz for 1min/Uimp at 2.5 KV(EN 60947-5-1)
額定絕緣電壓 (Ui) Rated insulation voltage (Ui)		250V
污染度(使用環境) Pollution degree (Application environment)		3 (EN60947-5-1)
短路保護裝置 Short-circuit protective device (SCPD)		10 A fuse (type gG or gI, IEC60269 approved)
附帶條件短路電流 Conditional short-circuit current		100A (EN60947-5-1)
額定封閉熱電流(Ithe) Conventional enclosed thermal current(Ithe)		5A (EN60947-5-1)
觸電保護等級 Electric shock protection class		Class II
振動 Vibration Resistance	誤動作 Malfunction	10-55 Hz 1.5 mm double amplitude (雙振幅)
	耐久 Destruction	1,000m/s ² min.
衝擊 Shock Resistance	誤動作 Malfunction	300m/s ² min.
	耐久 Destruction	1,000m/s ² min.
使用環境溫度 Ambient operating temperature range		-10~+80°C with no icing (不結冰)
使用環境濕度 Ambient operating humidity range		35% ~ 95% RH
包裝說明 Packing		10pcs /Box

★備註 1.以上為初始值 2.上述性能內容將因機種型式而有所不同,請另行洽詢 3.上述壽命值是為周圍溫度5-35度C, 周圍濕度40-70%RH時之條件。如您需要其它詳細條件, 請另行洽詢。

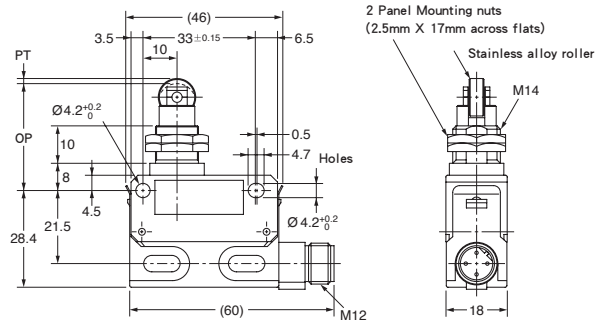
★Note: 1. Above values of these characteristics are initial values. 2. Above values of these characteristics may be depending on different models. If any requirements, pls contact our DECA sales representative. 3. Above durability is for an ambient temperature of 5 to 35°C and ambient humidity of 40% to 70%. If any requirements, pls contact our DECA sales representative.

SL4E-26

- 面板安裝滾輪柱塞型
Panel Mounting Roller Plunger



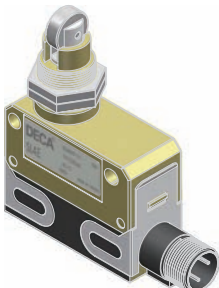
重量 Weight: 86.70g



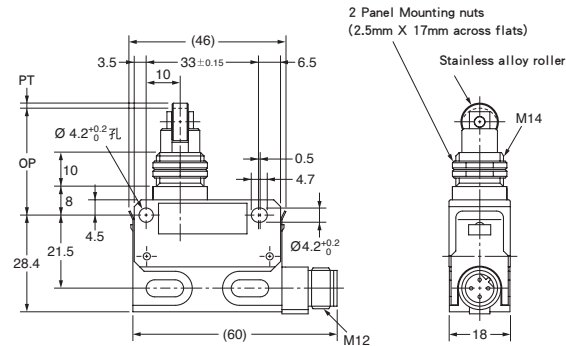
		SL4E-26
OF	MAX	11.77N
RF	MIN	4.90N
PT	MAX	1.5mm
OT	MIN	3mm
MD		(0.1mm)
OP		31.4 ± 0.8mm

SL4E-27

- 面板安裝橫向滾輪柱塞型
Panel Mounting Cross Roller Plunger



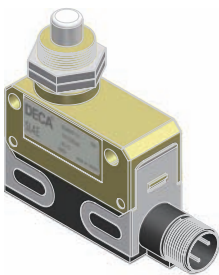
重量 Weight: 86.70g



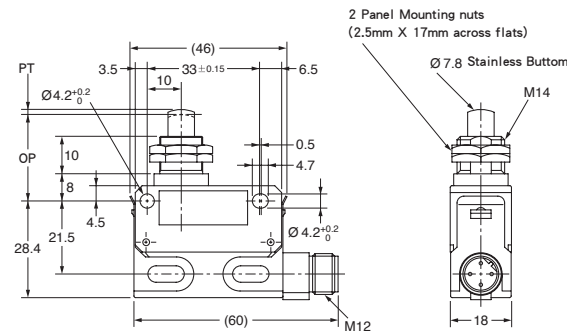
		SL4E-27
OF	MAX	11.77N
RF	MIN	4.90N
PT	MAX	1.5mm
OT	MIN	3mm
MD		(0.1mm)
OP		31.4 ± 0.8mm

SL4E-07

- 面板安裝柱塞型
Panel Mounting Plunger



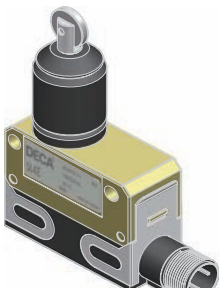
重量 Weight: 86.40g



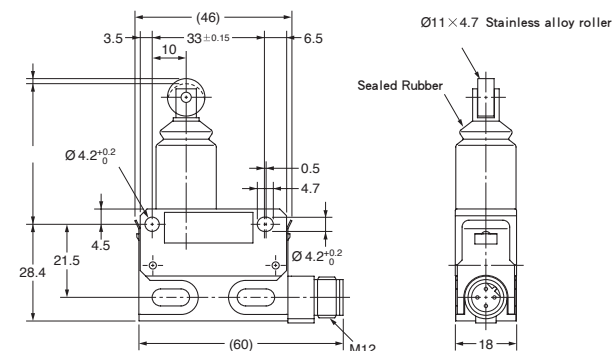
		SL4E-07
OF	MAX	11.77N
RF	MIN	4.90N
PT	MAX	1.5mm
OT	MIN	3mm
MD		(0.1mm)
OP		25.4 ± 0.8mm

SL4E-22

- 密封滾輪柱塞型
Sealed Roller Plunger



重量 Weight: 86.90g



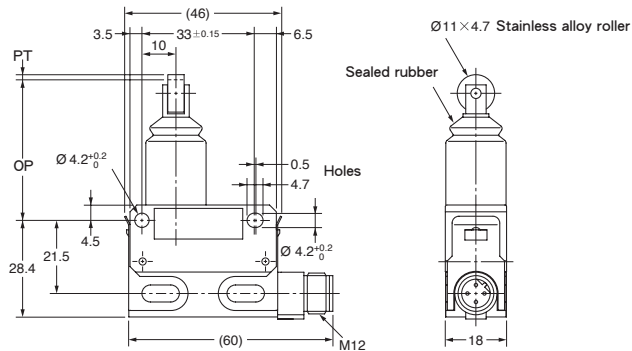
		SL4E-22
OF	MAX	11.77N
RF	MIN	4.90N
PT	MAX	1.5mm
OT	MIN	3mm
MD		(0.1mm)
OP		41.3 ± 0.8mm

SL4E-23

- 密封橫向滾輪柱塞型
Sealed Corss Roller Plunger



重量 Weight: 86.90g



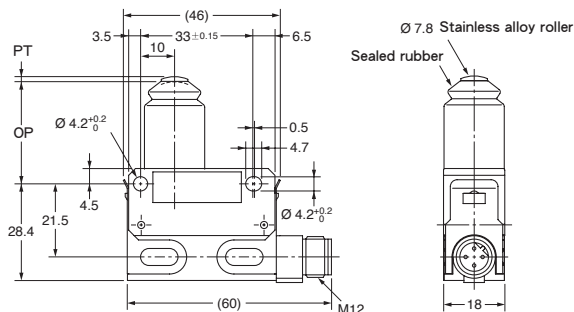
		SL4E-23
OF	MAX	11.77N
RF	MIN	4.90N
PT	MAX	1.5mm
OT	MIN	3mm
MD		(0.1mm)
OP		41.3 ± 0.8mm

SL4E-01

- 密封柱塞型
Sealed Plunger



重量 Weight: 86.70g



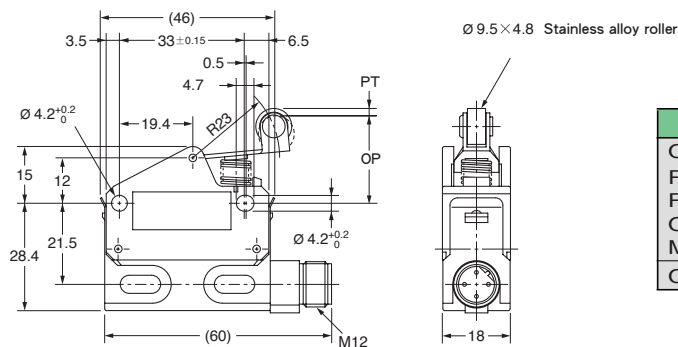
		SL4E-01
OF	MAX	11.77N
RF	MIN	4.90N
PT	MAX	1.5mm
OT	MIN	3mm
MD		(0.1mm)
OP		30 ± 0.8mm

SL4E-44

- 滾輪短擺桿型
Short Roller Lever



重量 Weight: 86.80g



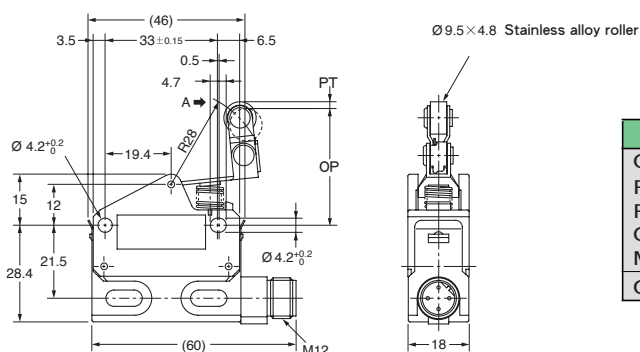
		SL4E-44
OF	MAX	3.92N
RF	MIN	0.78N
PT	MAX	2mm
OT	MIN	4mm
MD		(0.3mm)
OP		23.1 ± 0.8mm

SL4E-48

- 單向動作滾輪短擺桿型
One-way Action Short Roller Lever



重量 Weight: 86.90g



		SL4E-44
OF	MAX	3.92N
RF	MIN	0.78N
PT	MAX	2mm
OT	MIN	4mm
MD		(0.3mm)
OP		34.3 ± 0.8mm