

高精度小型封裝開關

- SLZE系列內置SLZ型一般用之微動開關
- 安裝方法有側面與側面對角線兩種，觸動器種類也很豐富

- 取下蓋子後，內置開關端子處於正面，易連接
- 符合EN(TUV)、UL、CSA、CCC的安全規格

High-precision and Miniature Enclosed Switch

- SLZE Enclosed Switches with High Breaking Capacity and High Durability. SLZ general purpose basis switches are built into SLZE switches.
- Two mount methods include side and diagonal side.
- Terminals face the front when the cover is removed for easy connection.
- Approved by EN(TUV),UL,CSA,CCC.

■性能 Characteristics

保護結構 Degree of protection		IP65
壽命 Durability	機械性 Mechanical	10,000,000 operations min.
	電器性 Electrical	5,000,000 operations min. for 15A 250VAC resistive load
容許操作速度 Operating Speed		0.01mm/s-0.5m/s Plunger Type(柱塞型) 0.02-0.5m/s Lever Type(擺桿型)
容許操作頻率 Operating Frequency	機械性 Mechanical	120 operations (次) /min
	電器性 Electrical	20 operations (次) /min
額定頻率 Rated Frequency		50/60Hz
絕緣阻抗(絕緣電阻) Insulation Resistance		100MΩ min. (at 500VDC)
接觸阻抗(接點電阻) Contact Resistance		15mΩ max (initial value)
端子溫度上昇 Terminal Temperature Rise		50°C max.
耐電壓 Dielectric Strength	同極端子間 Between terminals of same polarity	1,000 VAC 50/60Hz for 1min
	充電金屬部與接地端間 Between current-carrying metal parts and ground	2,000 VAC 50/60Hz for 1min
	各端子與非充電金屬部間 Between each terminal and non-current-carrying metal part	2,000 VAC 50/60Hz for 1min
觸電保護等級 Degree of protection against electric shock		Class II
振動 Vibration Resistance	誤動作 Malfunction	10-55 Hz 1.5 mm double amplitude (雙振幅)
衝擊 Shock Resistance	耐久 Destruction	1,000m/s ² min.
	誤動作 Malfunction	100m/s ² min. 50m/s ² min.
使用環境溫度 Ambient operating temperature range		-10~+80°C with no icing (不結冰)
使用環境濕度 Ambient operating humidity range		35% ~ 85% RH
包裝說明 Packing		1pc /Box

★備註 1.以上為初始值 2.上述性能內容將因機種型式而有所不同請另行洽詢 3.上述壽命值是為周圍溫度5-35度C、周圍濕度40-70%RH時之條件。如您需要其它詳細條件，請另行洽詢。

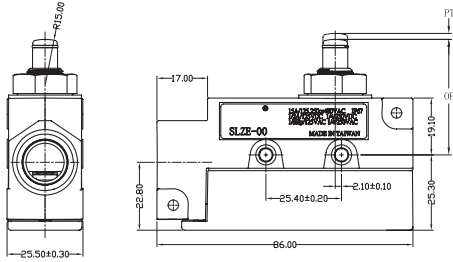
★Note: 1. Above values of these characteristics are initial values. 2. Above values of these characteristics may be depending on different models. If any requirements, pls contact our DECA sales representative. 3. Above durability is for an ambient temperature of 5 to 35° and ambient humidity of 40% to 70%. If any requirements, pls contact our DECA sales representative.

SLZE-00

- 標準柱塞型
Standard Plunger



重量 Weight: 158.00g

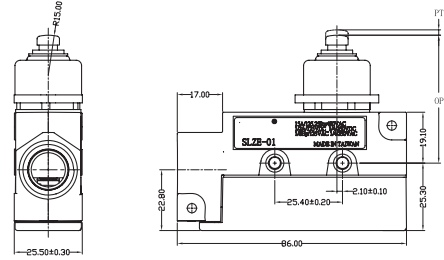


SLZE-01

- 密封柱塞型
Sealed Plunger



重量 Weight: 181.60g

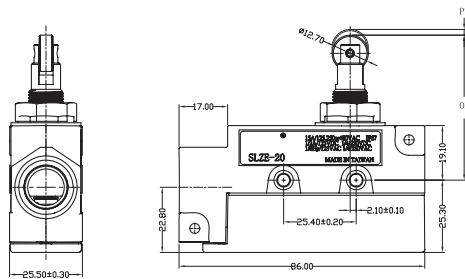


SLZE-20

- 標準滾輪柱塞型
Standard Roller Plunger



重量 Weight: 166.60g

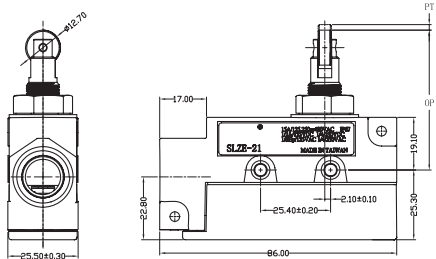


SLZE-21

- 橫向滾輪柱塞型
Standard Crossroller Pl



重量 Weight: 164.80g



■動作特性 Operating Characteristics

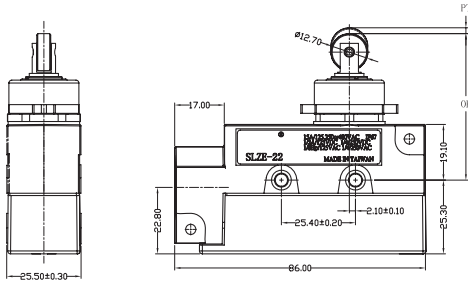
Model		SLZE-00	SLZE-01	SLZE-20	SLZE-21
O.Characteristics					
動作力	OF	2.45 ~ 3.43N	7.85N	2.45 ~ 3.43N	2.45 ~ 3.43N
回復力	RF MIN	1.12N	2.35N	1.12N	1.12N
預行程	PT MAX	0.4mm	2mm	0.5mm	0.5mm
過行程	OT MIN	5.5mm	5mm	3.6mm	3.6mm
應差距離	MD MAX	0.05mm	0.1mm	0.05mm	0.05mm
動作位置	OP	38.2 \pm 0.8mm	45.8 \pm 0.8mm	49.7 \pm 1mm	49.7 \pm 1mm

SLZE-22

- 密封滾輪柱塞型
Sealed Roller Plunger



重量 Weight: 184.20g

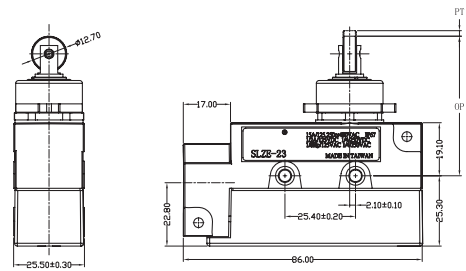


SLZE-23

- 密封橫向滾珠輪塞型
Sealed Crossroller Plunger



重量 Weight: 184.20g

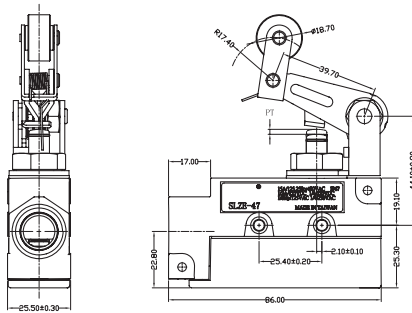


SLZE-47

- 單向動作滾輪擺桿型
Unidirectional Action Roll Arm Lever



重量 Weight: 231.30g

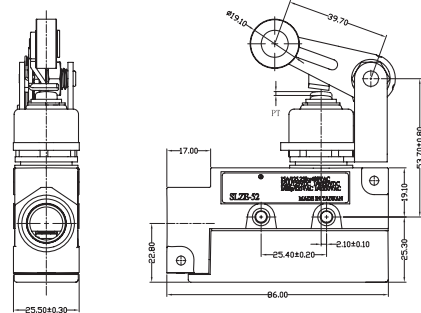


SLZE-52

- 滾輪懸臂擺桿型
Roller Arm Lever



重量 Weight: 249.20g



動作特性 Operating Characteristics

Model		SLZE-22	SLZE-23	SLZE-47	SLZE-52
O.Characteristics					
OF	MAX	4.90N	4.90N	5.59N	6.28N max
RF	MIN	0.98N	0.98N	1.67N	2.26N
PT	MAX	1mm	1mm	4mm	5mm
OT	MIN	3.5mm	3.5mm	6mm	6mm
MD	MAX	0.12mm	0.12mm	0.4mm	0.4mm
OP		49.7 ± 0.8mm	49.7 ± 0.8mm	—	—