

## 高精度小型封裝開關

- 內置基本封裝開關，擁有1,000萬次以上之使用壽命且重複精度高之緊湊型封裝開關
- 安裝螺距和SLZ型相同

- 和一般的限位開關相比，動作用力(OF)較小
- 符合UL,CUL,CCC & CE的安全規格

## High-precision and Miniature Enclosed Switch

- High-precision and Miniature Enclosed Switch with Built-in Switches for Strong Durability of 10 Million Operations minimum and High -Repetition.
- Same mounting pitch as SLZ Basic Switch.
- Requires less operating force (OF) than general limit switches.
- UL,CUL,CCC & CE approved.

## ■性能 Characteristics

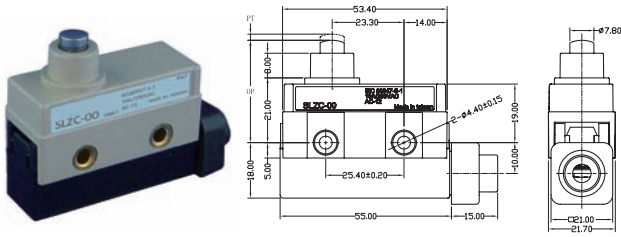
保護結構 Degree of protection		IP67
壽命 Durability	機械性 Mechanical	10,000,000 operations min.
	電器性 Electrical	500,000 operations min.
容許操作速度 Operating Speed		0.05mm/s-0.5m/s
容許操作頻率 Operating Frequency	機械性 Mechanical	120 operations /min.
	電器性 Electrical	20 operations /min.
額定頻率 Rated Frequency		50/60Hz
絕緣阻抗(絕緣電阻) Insulation Resistance		100MΩ min. (at 500 VDC)
接觸阻抗(接觸點電阻) Contact Resistance		15mΩ max. (initial value)
耐電壓 Dielectric Strength	同極端子間 Between terminals of same polarity	1,000VAC 50/60Hz for 1min
	充電金屬部與接地端間 Between current-carrying metal parts and ground	2,000VAC 50/60Hz for 1min
	各端子與非充電金屬部間 Between each terminal and non-current-carrying metal part	2,000VAC 50/60Hz for 1min
額定絕緣電壓 (Ui) Rated insulation voltage (Ui)		1000VAC
污染度 (使用環境) Pollution degree (Application environment)		3 (IEC947-5-1)
短路保護裝置 Short-circuit protective device		10A-fuse type gG (IEC 60269)
額定開放熱電流(Ith) Rated open thermal current(Ith)		10A
觸電保護等級 Degree of protection against electric shock		Class II
振動 Vibration Resistance	誤動作 Malfunction	10-55 Hz 1.5 mm double amplitude (雙振幅)
	耐久 Destruction	1,000m/s <sup>2</sup> max. (最大)
衝擊 Shock Resistance	誤動作 Malfunction	300m/s <sup>2</sup> max. (最大)
	耐久 Destruction	1,000m/s <sup>2</sup> max. (最大)
使用環境溫度 Ambient operating temperature range		-10~+80°C with no icing (不結冰)
使用環境濕度 Ambient operating humidity range		35%~95%RH
包裝說明 Packing		10pcs /Box

★備註 1.以上為初始值 2.上述性能內容將因機種型式而有所不同.請另行洽詢 3.上述壽命值是為周圍溫度5-35度C・周圍濕度40-70%RH時之條件。如您需要其它詳細條件・請另行洽詢。

★Note: 1. Above values of these characteristics are initial values. 2. Above values of these characteristics may be depending on different models. If any requirements, pls contact our DECA sales representative. 3. Above durability is for an ambient temperature of 5 to 35°C and ambient humidity of 40% to 70%. If any requirements, pls contact our DECA sales representative.

### SLZC-00

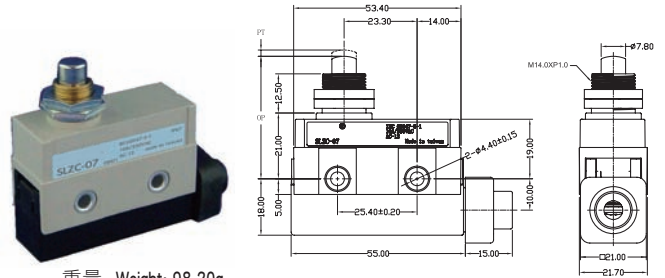
- 標準柱塞型  
Plunger



重量 Weight: 91.10g

### SLZC-07

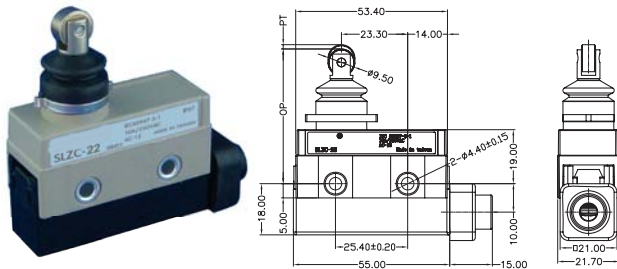
- 面板安裝柱塞型  
Panel Mount Plunger



重量 Weight: 98.20g

### SLZC-22

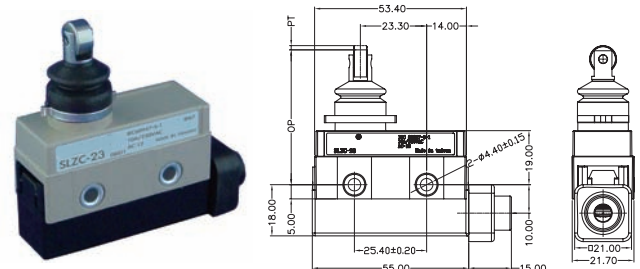
- 密封滾輪柱塞型  
Sealed Roller Plunger



重量 Weight: 98.20g

### SLZC-23

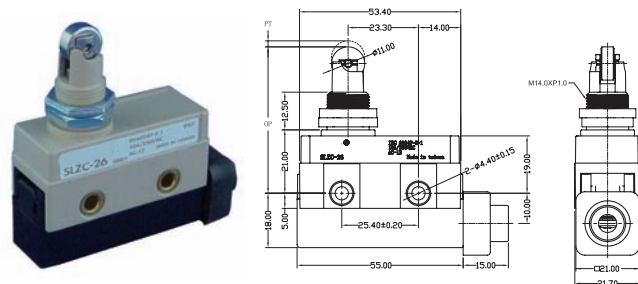
- 密封橫向滾輪柱塞型  
Sealed Crossroller Plunger



重量 Weight: 97.70g

### SLZC-26

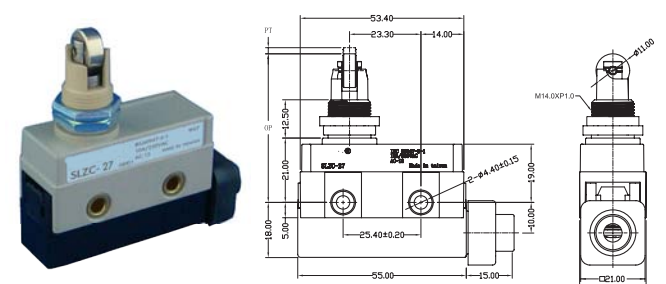
- 面板安裝滾輪柱塞型  
Panel Mount Roller Plunger



重量 Weight: 104.40g

### SLZC-27

- 面板安裝橫向滾輪柱塞型  
Panel Mount Crossroller Plunger



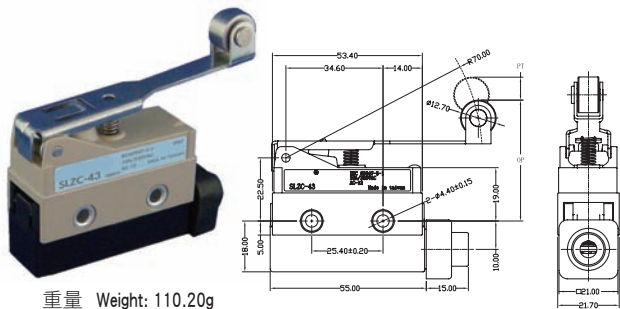
重量 Weight: 104.50g

### 動作特性 Operating Characteristics

O.Characteristics		Model		SLZC-00	SLZC-07	SLZC-22	SLZC-23	SLZC-26	SLZC-27
動力量	OF	最大	OF	11.8N	11.8N	6.86N	6.86N	11.8N	11.8N
回復力	RF	最小	RF	4.9N	4.9N	1.67N	1.67N	4.9N	4.9N
預行程	PT	最大	PT	1.5mm	1.5mm	1.5mm	1.5mm	1.5mm	1.5mm
過行程	OT	最小	OT	2.4mm	3mm	2.5mm	2.5mm	3mm	3mm
應差距離	MD	最大	MD	0.2mm	0.2mm	0.2mm	0.2mm	0.2mm	0.2mm
自由位置	FP	最大		--	--	--	--	--	--
動作位置	OP			32.4±0.8mm	38.2±0.8mm	47.4±0.8mm	47.4±0.8mm	47.4±0.8mm	47.4±0.8mm

### SLZC-43

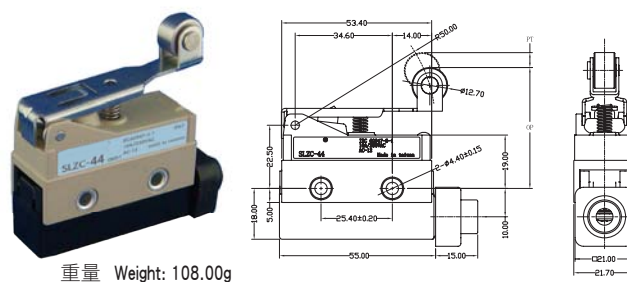
- 臥式標準滾輪擺桿型  
Standard Hinge Roller Lever



重量 Weight: 110.20g

### SLZC-44

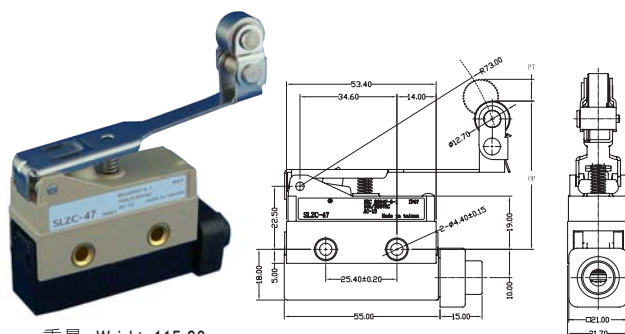
- 滾輪短擺桿型  
Short Hinge Roller Lever



重量 Weight: 108.00g

### SLZC-47

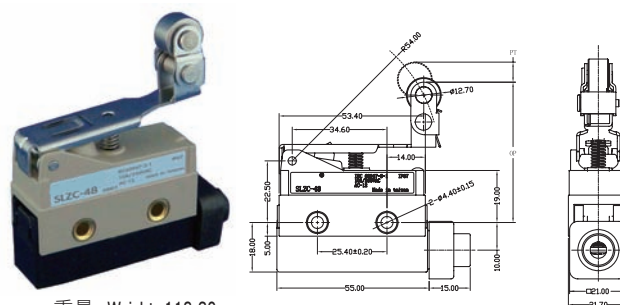
- 單向動作滾輪擺桿型  
One-way Action Hinge Roller Lever



重量 Weight: 115.30g

### SLZC-48

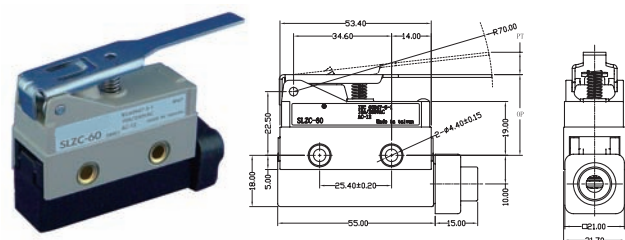
- 單向動作滾輪短擺桿型  
One-way Action Short Hinge Roller Lever



重量 Weight: 113.20g

### SLZC-60

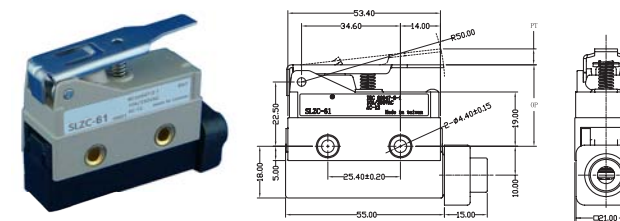
- 標準擺桿型  
Standard Hinge Lever



重量 Weight: 101.60g

### SLZC-61

- 短擺桿型  
Short Hinge Lever



重量 Weight: 100.60g

### 動作特性 Operating Characteristics

O.Characteristics	Model	SLZC-43	SLZC-44	SLZC-47	SLZC-48	SLZC-60	SLZC-61
動作力 OF	最大	2.75N	3.92N	3.92N	2.75N	2.75N	3.92N
回復力 RF	最小	0.59N	0.78N	0.78N	0.59N	0.59N	0.78N
預行程 PT	最大	—	—	—	—	—	—
過行程 OT	最小	8.4mm	6mm	6mm	8.4mm	8.4mm	6mm
應差距離 MD	最大	1.4mm	1mm	1mm	1.4mm	1.4mm	1mm
自由位置 FP	最大	51.3mm	49.2mm	59.2mm	61.2mm	36.7mm	34.7mm
動作位置 OP		43 ± 1.2mm	43 ± 1.2mm	53 ± 1.2mm	53 ± 1.2mm	28.5 ± 1.2mm	28.5 ± 1.2mm