

NEW !
Outdoor Type
Switch



SPECIFICATIONS:

CONTACT RATING: 200mA / 1.5A @ 5~30VDC.
ELECTRICAL LIFE: 1 million cycles at full load.
CONTACT RESISTANCE: 20m-ohms max.
INSULATION RESISTANCE: 600VDC 10M-ohms min.
ESD RESISTANCE: ± 2KV (25 contact) / ± 8KV (25 air discharge).
OPERATING TEMPERATURE: -40°C to +125°C.
IMPACT RESISTANCE PROTECTION: IK02 (PC) / IK10 (Metal).
WATER-PROOF PROTECTION: IP68.
UV RESISTANCE: UVA / UVB.

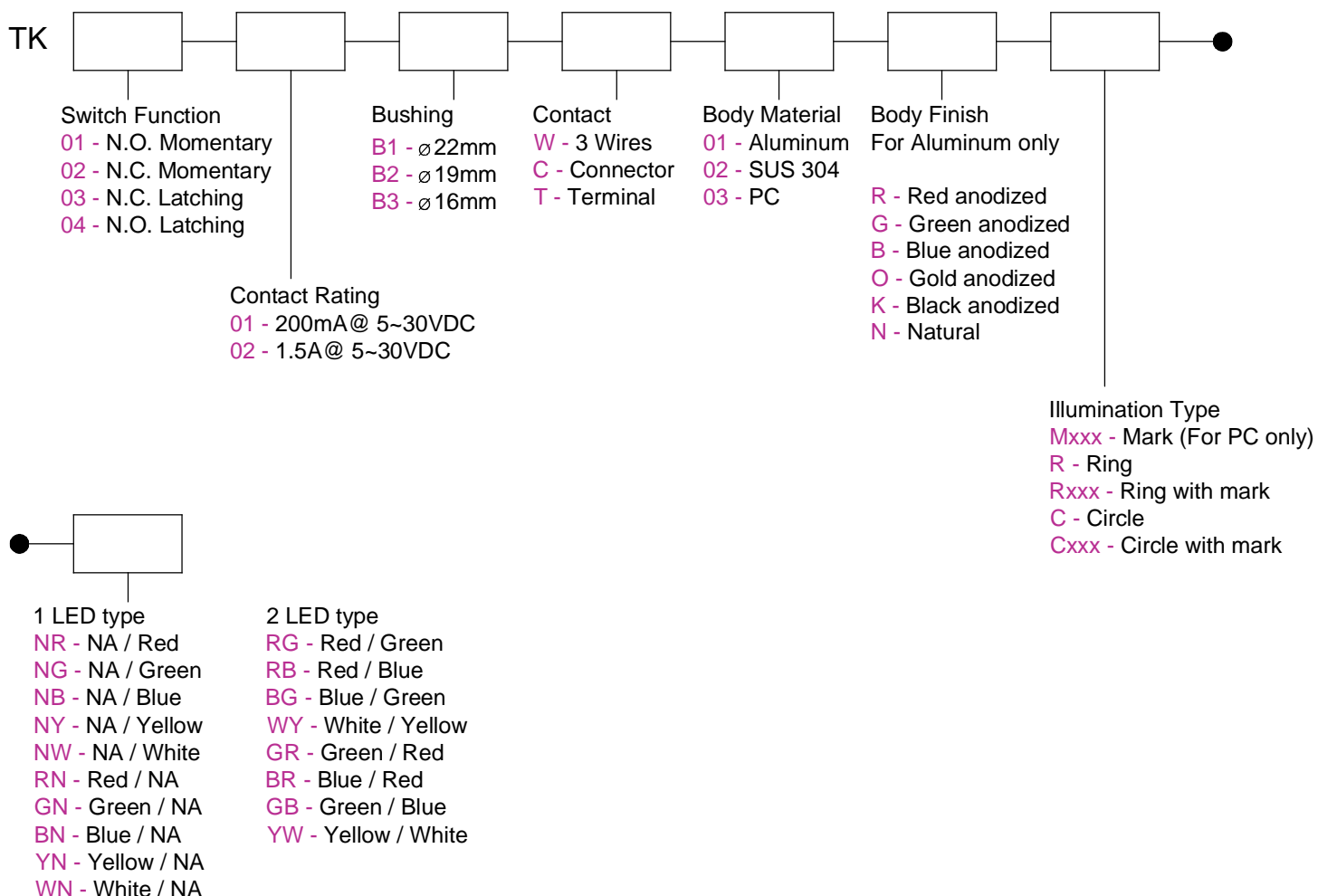
MATERIALS:

KEY: Stainless steel / Aluminum / PC.
LENS: PC (UL 94V-0).
BODY: Stainless steel / Aluminum / PC.
CABLE: UL1007 24AWG.
TERMINAL: Brass silver plated.

Specifications and Dimensions subject to change

If your preferred product configuration is not shown, please contact our sales representative for custom design.

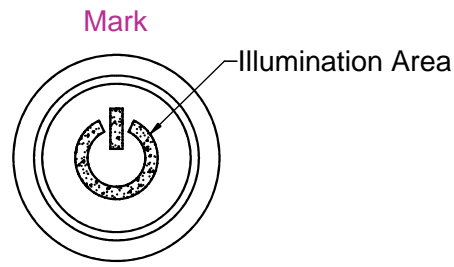
HOW TO ORDER SYSTEM



SWITCH FUNCTIONS

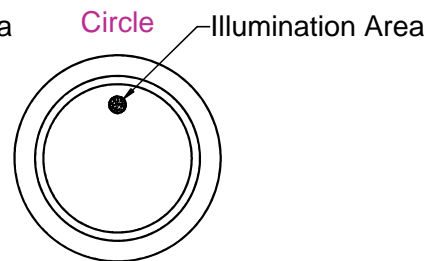
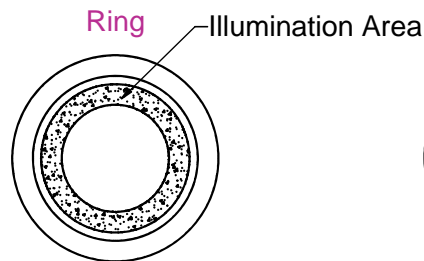
	Non-Illuminated	1 LED		2 LED
NO - MOM				
NC - MOM				
NC - NO Latching				
NO - NC Latching				

ILLUMINATION TYPES

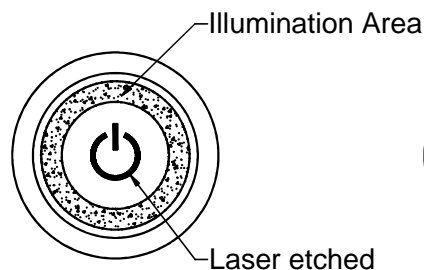


Part Code: M011

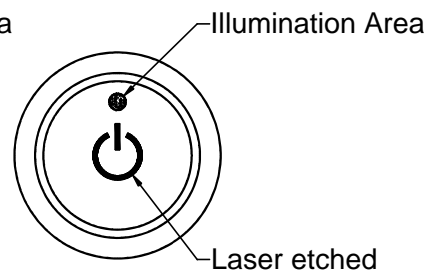
Mark options									
Ordering Code									
1	2	3	4	5	6	7	8	9	10
001	002	003	004	005	006	007	008	009	010
					OK	POWER	STOP	ON	OFF
011	012	013	014	015	016	017	018	019	020
021	022	023	024	025	026	027	028	029	030



* Example of Ring / Circle type with mark



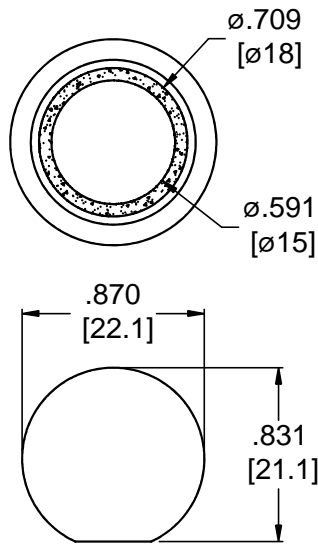
Part Code: R011



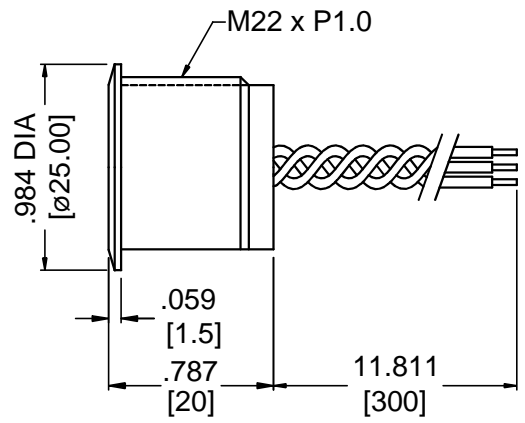
Part Code: C011

* Please consult factory for a customized illumination option.

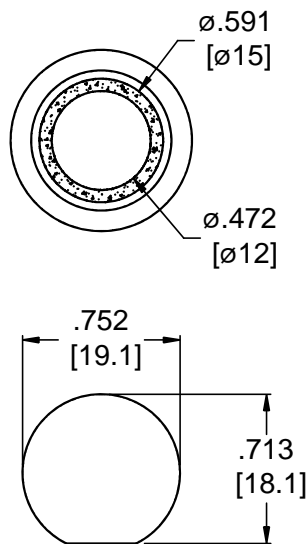
Ø22mm Mounting



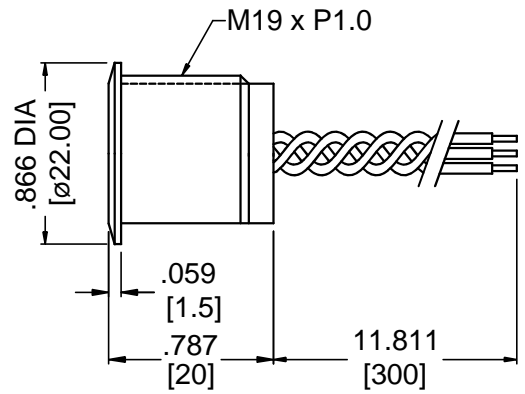
Panel Cutout



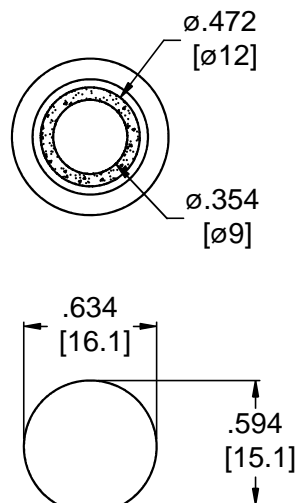
Ø19mm Mounting



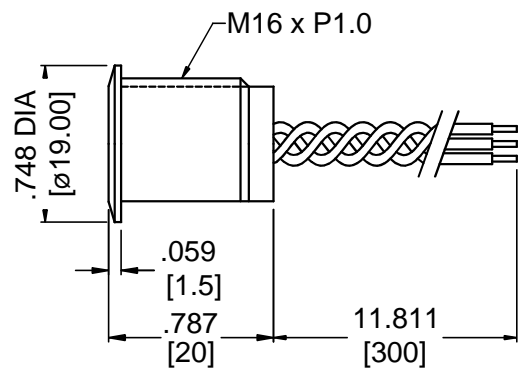
Panel Cutout



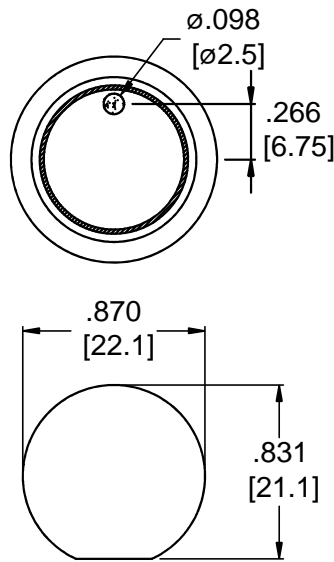
Ø16mm Mounting



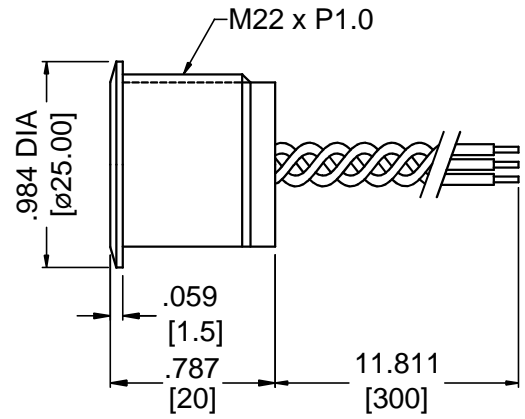
Panel Cutout



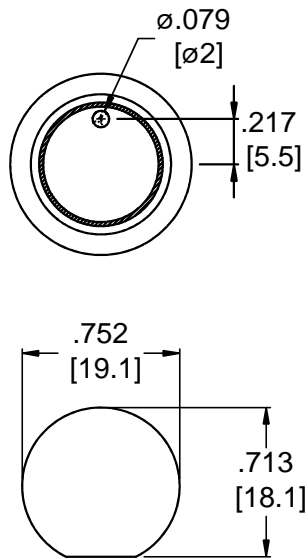
Ø22mm Mounting



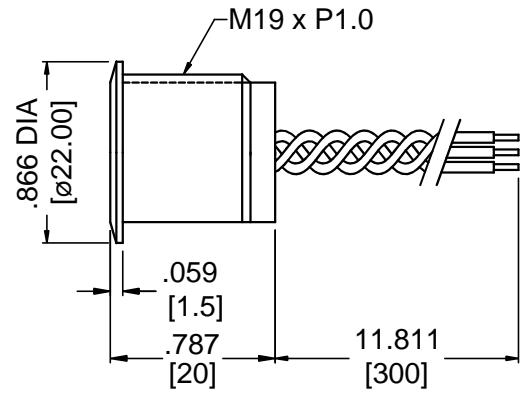
Panel Cutout



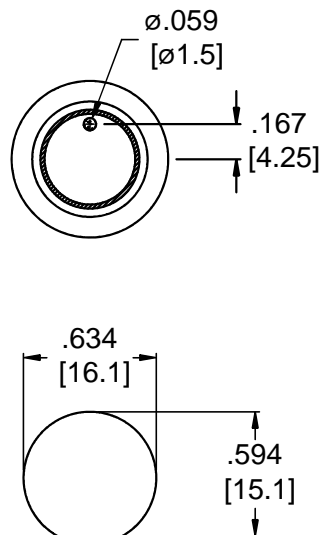
Ø19mm Mounting



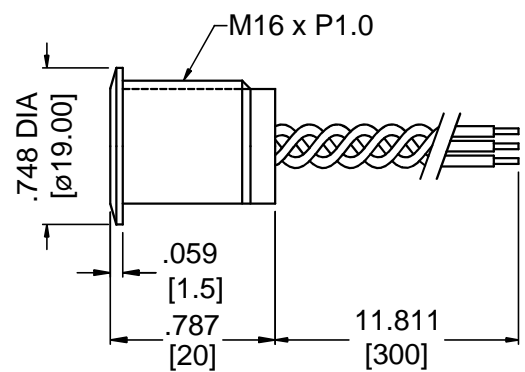
Panel Cutout



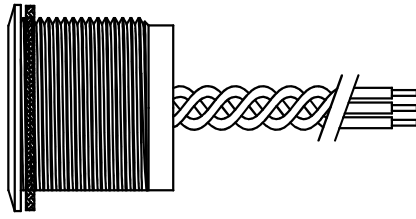
Ø16mm Mounting



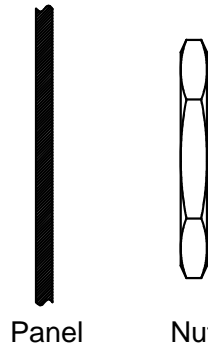
Panel Cutout



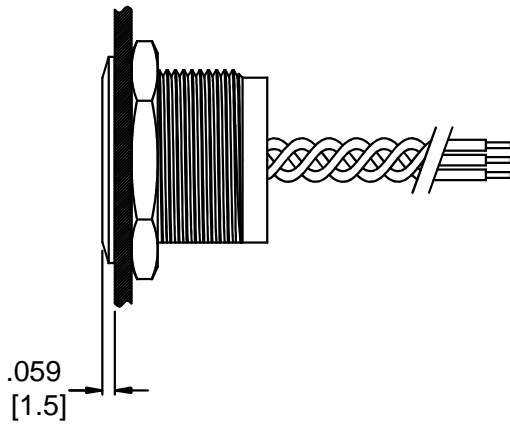
Assembly Drawing



Switch Sponge



Panel Nut



.059
[1.5]

Panel Thickness	0.7~10.0t
Nut Spec.	19*3-M16*P1.0
	22*3-M19*P1.0
	25*3-M22*P1.0
Assembly Force	20N/mm ²

Cable Position		
INPUT	OUTPUT	GND
Red	White	Green