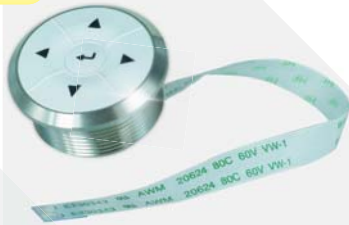




Navigation Switches Series SF25WA

NEW



Feature

- Panel cutting Ø25mm
- IP67
- 5 Key Navigation Switches
- LED Illuminated
- Metal Housing
- Custom Laser etching

General Specifications

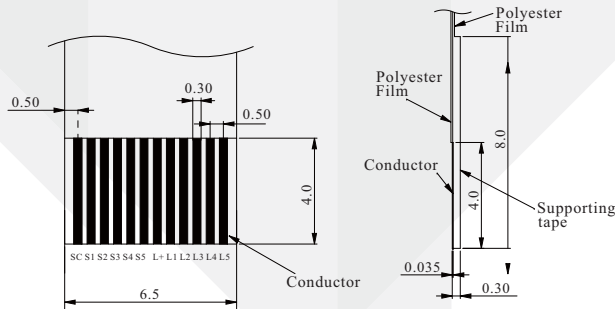
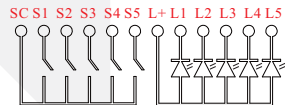
Switch Circuit	:SP5T
Current Rating	:50mA
Voltage Rating	:12VDC
Dielectric Withstanding Voltage	:250VAC for 1 minute
Contact Resistance	:1 Ohm Max.(initial)
Insulation Resistance	:100M Ohm Min.
Operating Force	:400gf±100gf
Total Travel	:1.0mm±0.3mm
Operating Life	:100,000 cycles Min.
Operating Temperature	:-10 deg.~+60 deg.

Part name
Housing

Cap
Tactile Switches
LED
PCB
FFC
Hasher
Nuts

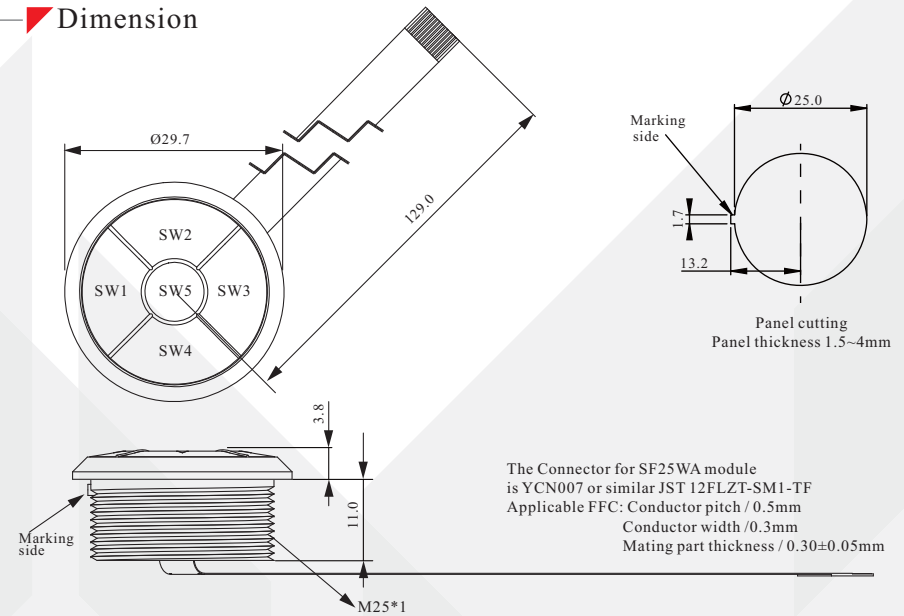
Materials
:Polyamide (PA)
or Stainless
:Silicone

Contact Configuration



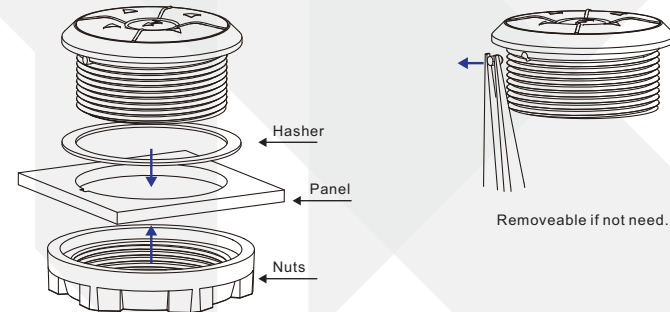
FFC Configuration

Dimension



The Connector for SF25WA module is YCN007 or similar JST 12FLZT-SM1-TF
 Applicable FFC: Conductor pitch / 0.5mm
 Conductor width / 0.3mm
 Mating part thickness / 0.30±0.05mm

Installation Notes



Removeable if not need.





Navigation Switches Series **SF25WA**

How to Order

Module							
Navigation Part No	SF25WA0B52	SF25WA0B41	SF25WA2B52	SF25WA1B42	SF25WA4B51	SF25WA5B41	SF25WA7B52
Description	Without LED Stainless steel housing, Painted Black Cap, Laser Marking 2.	Without LED Stainless steel housing, Painted White Cap, Laser Marking 1.	Yellow LED Stainless steel housing, Painted Black Cap, Laser Marking 2.	Red LED Stainless steel housing, Painted White Cap, Laser Marking 2.	White LED Stainless steel housing, Painted Black Cap, Laser Marking 1.	Pure Green LED Stainless steel housing, Painted White Cap, Laser Marking 1.	Blue LED Stainless steel housing, Painted Black Cap, Laser Marking 2.

Color is subject to actual product.

Accessory



Connector: YCN007



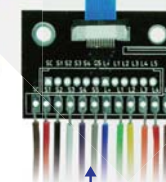
Hasher: YWA002



Nuts: YSC0055



Option
Adapter: YPS009



How to use:
for Cable hand Soldering

or



for Connector
similar: JST S12B-PH-K-S.
We recommend using
Cable socket: JST PHR-12 or similar
Contact: JST SPH-002T-P0.5S or similar.

