

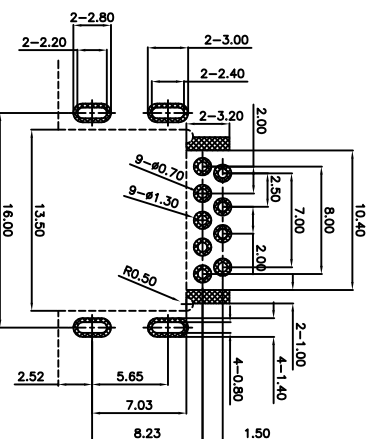
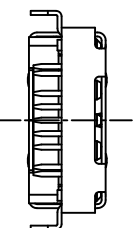
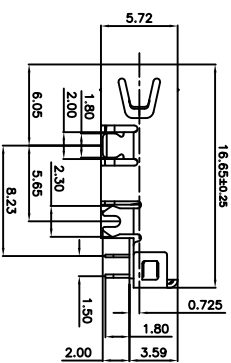
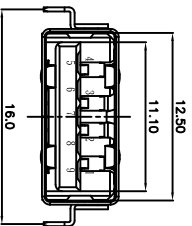
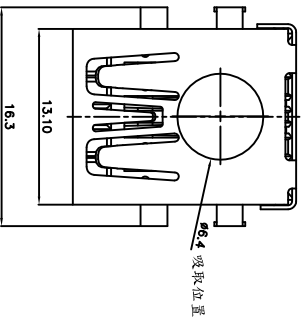
NO.	NAME	MATERIAL	FINISH
1	HOUSING 1	Nylon	
2	HOUSING 2	Nylon	
3	TERMINAL 1	Copper Alloy	Gold-Tin Plated
4	TERMINAL 2	Copper Alloy	Gold-Tin Plated
5	SHELL	Alloy	Ni Plated

REV	ZONE	REVISION	DATE	APPD.

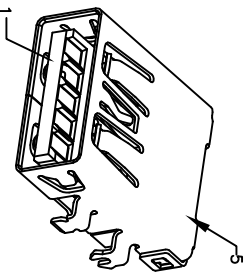
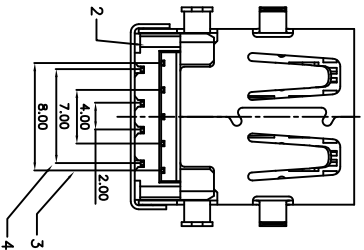
SUA - 180E4A C - P 3 F - 07

Series _____
 Type _____
 Housing Color _____
 C : Blue(300C)

Shell _____
 F : Nickel Plated
 Version _____
 3 : 3.0
 Material _____
 P : Nylon



RECOMMENDED PCB LAYOUT
 TOP VIEW
 TOLERANCE: ±0.05mm
 PCB THICKNESS: 1.20±0.05mm



TACLEX ELECTRONICS CO., LTD.

COMPUTER NO.

UNIT

SCALE

PART NAME

USB 3.0 A TYPE Reverse
RA CH=0.725mm

APPD.

CKD.

DWG.

DATE

TOLERANCE

MODEL

SUA-180E4AC-P3F-07

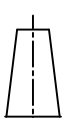
PAGE 1 OF 1

Aaron

Lucy

2011-04-20

0.000mm ± 0.075mm
0.00 mm ± 0.15 mm
0.0 mm ± 0.25 mm



REV.
A.0