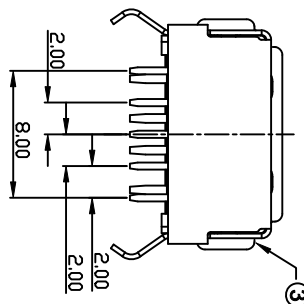
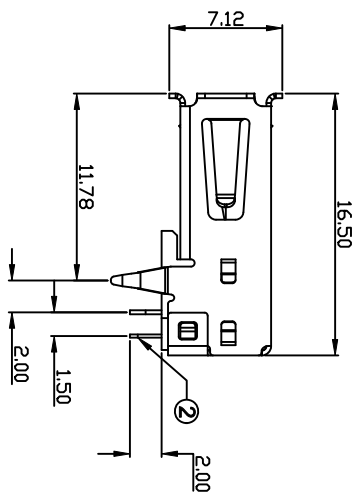
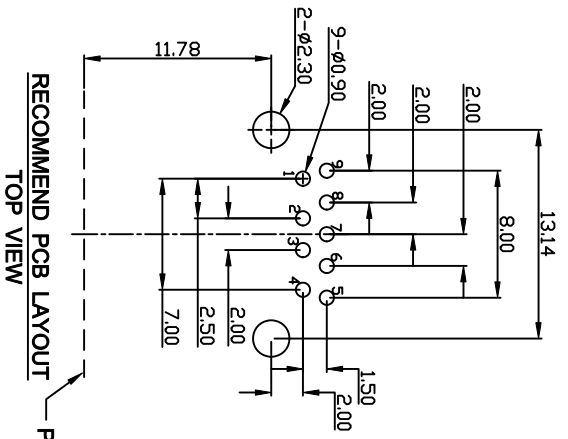
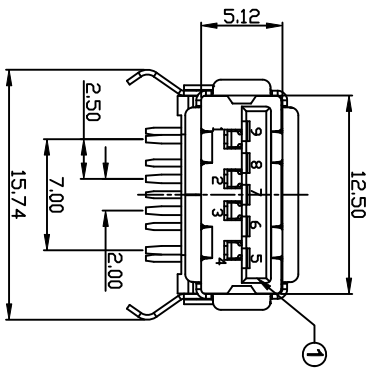
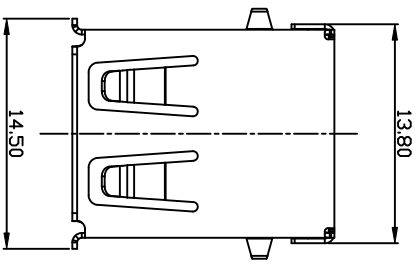


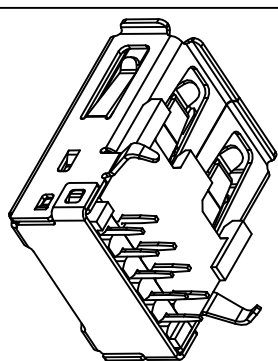
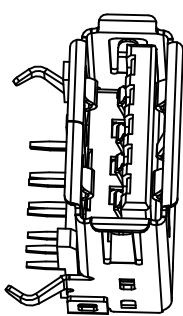
NO.	NAME	MATERIAL	FINISH
1	HOUSING	Nylon	Gold-Tin Plated NI Plated
2	PIN TEAM	PHOS. BRONZE	
3	SHELL	BRASS	

REV	ZONE	REVISION	DATE	APPD.



SUA-180H C-P 3 N - 07

Series _____
 Type 180H : 9Pin(3.0 Version)
 Color C : Blue(300C)
 Shell N : Nickel Plated
 Version 3 : 3.0
 Material P : Nylon



TACLEX ELECTRONICS CO., LTD.

COMPUTER NO.	UNIT	SCALE	PART NAME
	mm	1 : 1	USB. TYPE A FLAT 90° DIP

APPD.	CKD.	DWG.	DATE	TOLERANCE	REV.
	Michael	Chindge	2009-11-10	0.000mm ± 0.075mm 0.00 mm ± 0.15 mm 0.0 mm ± 0.25 mm	A.0

MODEL	SUA-180HC-P3N-07	PAGE 1 OF 1					
-------	------------------	-------------	--	--	--	--	--