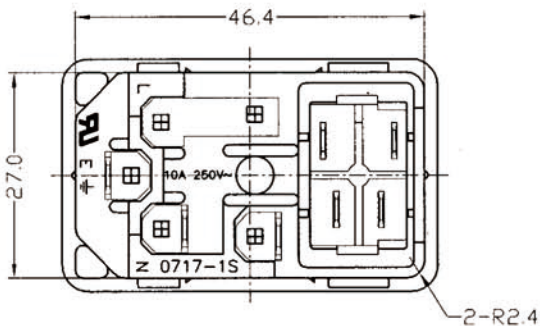
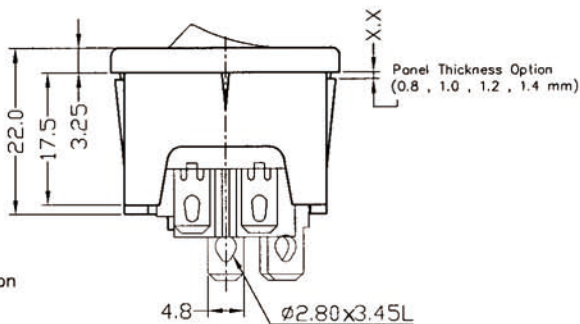
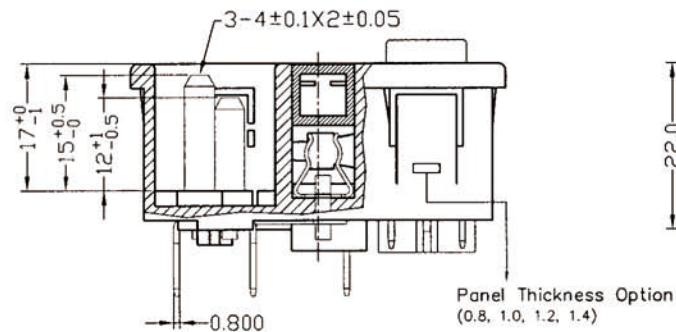
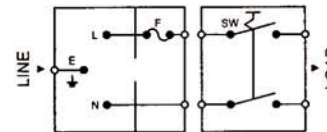


PANEL CUT-OUT



SPECIFICATION

- A: MATERIAL:
- HOUSING: NYLON 66 FLAMMABILITY, UL 94V-0
 - TERMINAL: COPPER ALLOY, TIN PLATED
- B: CHARACTERISTICS:
- RATING: 10A 250V~ NORTH AMERICA
10A 250V~ EUROPE
 - INSULATION RESISTANCE: 100 MΩ MIN, AT 500 V DC
 - ELECTRIC STRENGTH: AC 2,000 V FOR 1 MINUTE
- C: APPROVALS:
UL, VDE & CCC
- D: DIAGRAM:



E: ORDERING INFORMATION:

P/N	PANEL THICKNESS	SWITCH'S TERMINAL
0717-1S-PQ08	0.8 mm	
0717-1S-PQ10	1.0 mm	
0717-1S-PQ12	1.2 mm	
0717-1S-PQ14	1.4 mm	

	PART NO.:	0717-1S-PQXX	NAME:	AC INLET 3P+FUSE HOLDER +SWITCH (SNAP-IN)
	MATERIAL:	SEE ABOVE	SPEC.:	IEC 60320-1, C14 IEC 60127-6
	TOLERANCE UNLESS OTHERWISE MARKED	DIMENSION:	ANGULAR:	±3°
	.000: ±0.1 .00: ±0.2 .0: ±0.3			
REV	DATE	DOCUMENT	DESCRIPTION	APPROVED: [Signature] CHECKED: [Signature] DESIGNER: [Signature] NOTE: 2011-03-24 2011-03-24 2011-03-24 1 of 1 5717-0047

E			
D			
C	2011.03.22	DGRXXXXX	MARK CHANGE
B	2007.01.31	DGR07006	MARK CHANGE
A	04-13-06	DGR06032	NEW REVISION