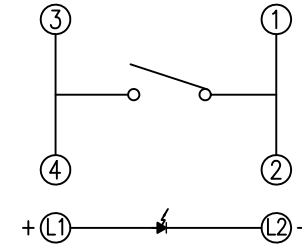
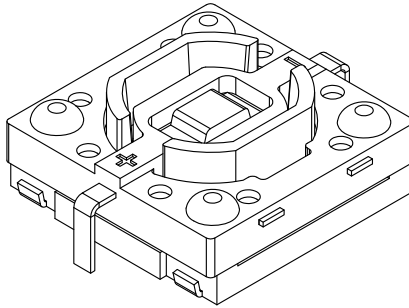
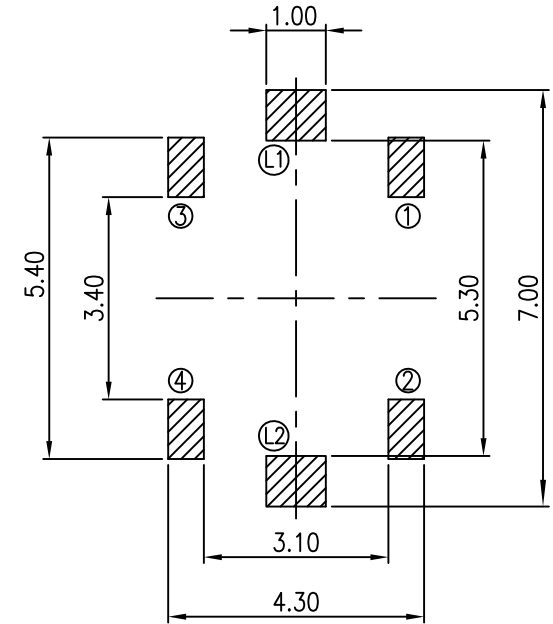
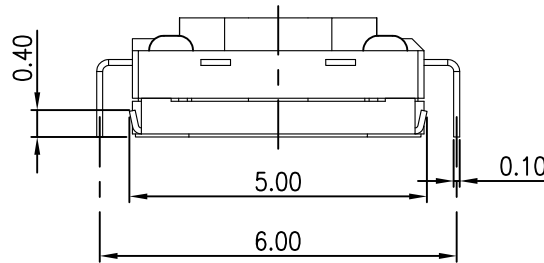
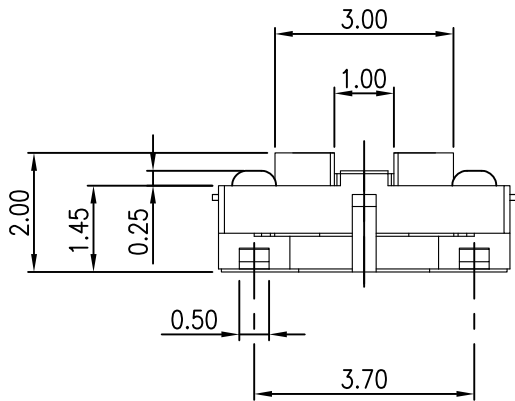


NOTE:
 1.ALL DIMENSIONS ARE IN MILLIMETERS.
 BRACKETED DIMENSIONS ARE IN INCHES.
 2.GENERAL TOLERANCES $\pm 0.20\text{mm}$.



CIRCUIT



P.C.B. LAYOUT

SPECIFICATIONS:

- 1.Rating :50mA, DC 12V
- 2.Contact Resistance :100mΩ Max
- 3.Insulation Resistance :DC 500V 1M \pm 5s 100 MΩ
- 4.Dielectric Strength :AC 250V 1M \pm 5s
- 5.Operating Force(OF):160 \pm 50 gf.
- 6.Life: 1,000,000 CYCLES
- 7.Operating Temperature Range:-40 $^{\circ}$ ~ +85 $^{\circ}$ C
 Storage Temperature Range:-40 $^{\circ}$ ~ +85 $^{\circ}$ C

SYM	DISCRIPTION	DATE	APPROVED
△			
△			
△			
△			



TACLEX

TACLEX ELECTRONICS CO., LTD.

TOLERANCES UNLESS OTHERWISE SPECIFIED
 LINEAR: ± 0.30 ANGULAR: $\pm 3^{\circ}$

SIGNATURES

DATE

TITLE

DRAWN Eric

2013.10.08

LED TACT SWITCH

CHK'D Andy

2013.10.08

NO.

ML4L12[]QR

REVISIONS

A



SCALE

5/1

APPV'D

Rex

2013.10.08