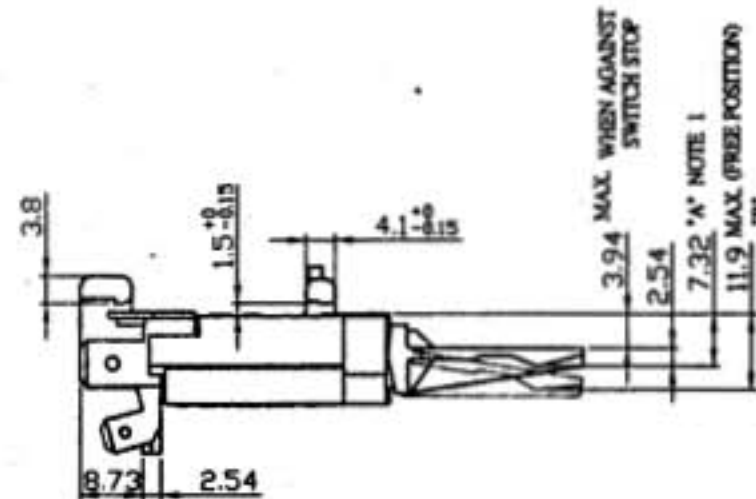


- NOTE:
1. ALL SWITCHING TO OCCUR BETWEEN DIM "B" (FREE POSITION) AND DIM "A".
 2. THE SURFACE OF SWITCH SHALL NOT GREASY · CORRUPT · BREAKS AND OUT OF SHAPE.
 3. THE SURFACE OF TERMINAL SHALL NOT WOUNDED · OXIDIZES · CROOKED AND OUT OF SHAPE.
 4. THE DESIGNATE LOCATION SHALL MAKE FISCAL WEEK IDENTIFICATION, THE MARKING COLOR SHOWN ON TABLE.
 5. THE SWITCH USE FOR GE MOTOR P/N 5KH26GJ122T, THE MOTOR SPECIFICATION IS 1/4HP 1725 RPM 115V 60HZ 4.8A.
 6. THE SWITCH RATING IS 120V_{ac}.
 7. SWITCH MUST OPERATE IN AN AMBIENT OF 105°C.
 8. THE CARVED ON CASE AND COVER ARE REFERENCE ONLY.
 9. THE ACTUATOR FORCE NEED CONFIRM TO GE DRAWING NO. 74-406428



SECTION B-B

TOLERANCES UNLESS OTHERWISE	
BASIC DIMENSIONS TOLERANCES	
UP TO 10	±0.3
ABOVE 10 TO 100	±0.5
ABOVE 100	±0.8
ANGULAR DIMENSIONS	±5°

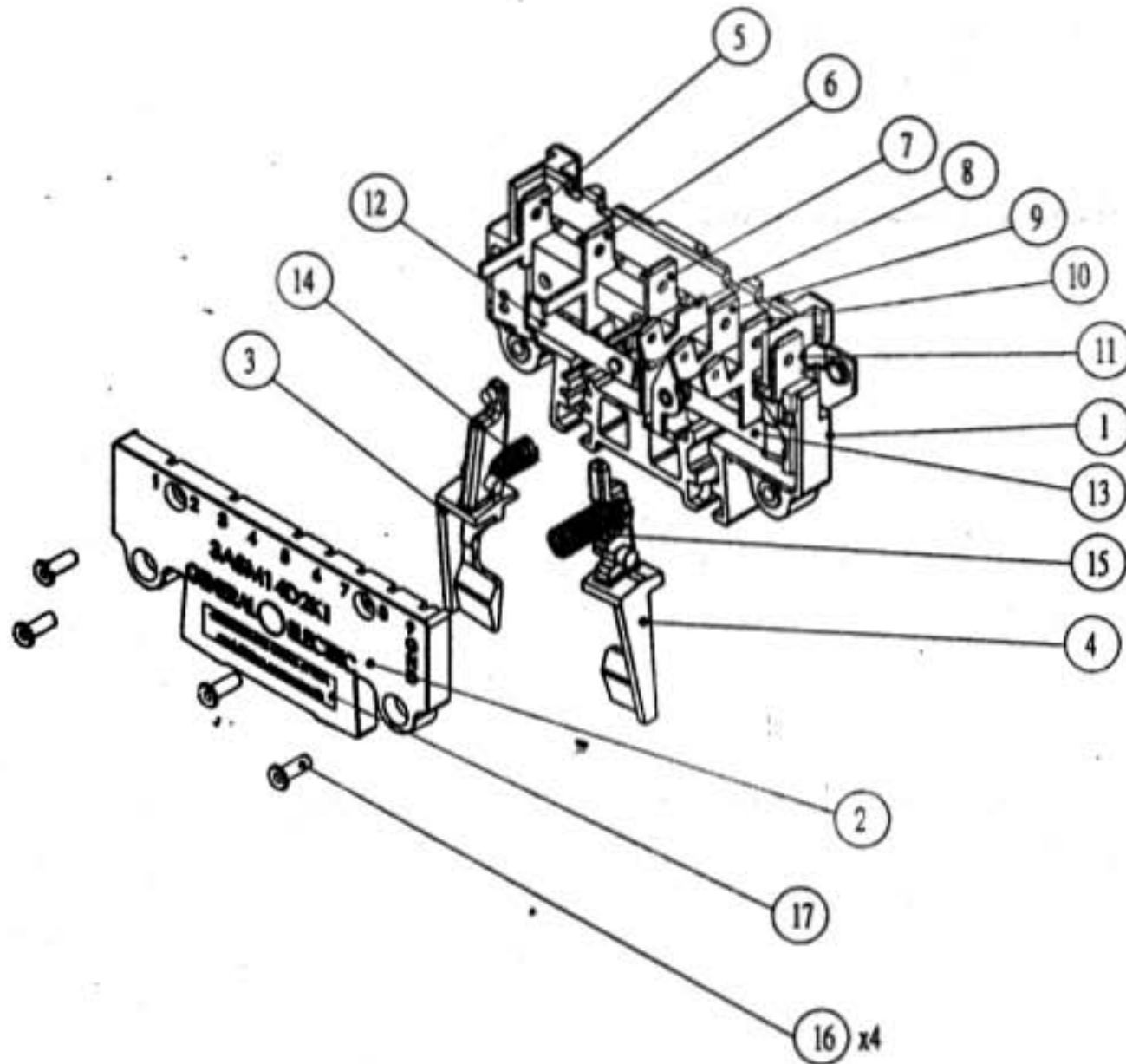
FW	HEATER	RUNSTART	FW	HEATER	RUNSTART	FW	HEATER	RUNSTART	FW	HEATER	RUNSTART	FW	HEATER	RUNSTART	FW	HEATER	RUNSTART	FW	HEATER	RUNSTART
FW1	PURPLE	PURPLE	FW9	RED	PURPLE	FW17	BROWN	PURPLE	FW25	ORANGE	PURPLE	FW33	BLUE	PURPLE	FW41	GREEN	PURPLE	FW49	BLACK	PURPLE
FW2	PURPLE	RED	FW10	RED	RED	FW18	BROWN	RED	FW26	ORANGE	RED	FW34	BLUE	RED	FW42	GREEN	RED	FW50	BLACK	RED
FW3	PURPLE	BROWN	FW11	RED	BROWN	FW19	BROWN	BROWN	FW27	ORANGE	BROWN	FW35	BLUE	BROWN	FW43	GREEN	BROWN	FW51	BLACK	BROWN
FW4	PURPLE	ORANGE	FW12	RED	ORANGE	FW20	BROWN	ORANGE	FW28	ORANGE	ORANGE	FW36	BLUE	ORANGE	FW44	GREEN	ORANGE	FW52	BLACK	ORANGE
FW5	PURPLE	BLUE	FW13	RED	BLUE	FW21	BROWN	BLUE	FW29	ORANGE	BLUE	FW37	BLUE	BLUE	FW45	GREEN	BLUE			
FW6	PURPLE	GREEN	FW14	RED	GREEN	FW22	BROWN	GREEN	FW30	ORANGE	GREEN	FW38	BLUE	GREEN	FW46	GREEN	GREEN			
FW7	PURPLE	BLACK	FW15	RED	BLACK	FW23	BROWN	BLACK	FW31	ORANGE	BLACK	FW39	BLUE	BLACK	FW47	GREEN	BLACK			
FW8	PURPLE	YELLOW	FW16	RED	YELLOW	FW24	BROWN	YELLOW	FW32	ORANGE	YELLOW	FW40	BLUE	YELLOW	FW48	GREEN	YELLOW			

TACLEX ELECTRONICS CO., LTD.

NO.	DATE	REVISION DESCRIPTION	ISSUE	REVISE	APPROVED	APPROVED BY	CHECKED BY	DRAWN BY	DATE	PROJECTION	SCALE	TYPE	SWAD SWITCH	DIMENSION UNIT	PART NAME	PART NO.
101112		Modify S3-S4: 23 ⇒ 25 ; H3-H4: 29 ⇒ 34	A3						1/11					mm		
101028		Modify the unit: mm ⇒ inch in sheet 3 ; Add S3-S4, H3-H4	A2						01/17		1:1				CS01-ABBN-H	
100729		Modify CS01 SERIES ⇒ CS01-ABBN-H ; Add one sheet	A1						100322						8A10-3901-0001	1 of 3

Material List for SWAD Switches Model : CS01

NO.	PART NAME	MATERIAL DESCRIPTION	NOTE	
			GE PIN	Soltron PIN
1	Case	PBT 30%GF BLACK	74-600273	1D13-2717-0004
2	Cover	PBT 30%GF BLACK	74-600274	1D13-1717-0002
3	Actuator (Heater)	PA6 35%GF NATURAL	74-502285	1D10-1249-0003
4	Actuator (Start)	PA6 35%GF NATURAL	74-502291	1D10-1249-0004
5	Terminal+Blade Assembly	Sn Plated Brass+Be Cu	74-502298	6816-CS01-0001
6	Terminal (Include Contact)	Sn Plated Brass	74-502296	1B10-2219-4102
7	Terminal (Include Contact)	Sn Plated Brass	74-502300	1B10-2219-4103
8	Terminal (Include Contact)	Sn Plated Brass	74-502404	1B10-2219-4104
9	Terminal	Sn Plated Brass	74-406700	1B10-2219-4105
10	Terminal+Blade Assembly	Sn Plated Brass+Be Cu	74-502299	6816-CS01-0002
11	GND Terminal	Sn Plated Brass	74-406412	1B10-6219-4016
12	Blade	Be Cu	74-411429	6812-CS01-0001
13	Blade	Be Cu	74-411428	6812-CS01-0001
14	Spring (Heater)	SWP	74-406414	1B1B-1240-1002
15	Spring (Start)	SWP	74-406415	1B1B-1241-1005
16	Eyelet	KFC	74-100005	1B1G-4G1H-1001
17	LABEL	STICKER PAPER		1H13-5103-1201



TOLERANCES UNLESS OTHERWISE	
BASIC DIMENSIONS TOLERANCES	
UP TO 10	±0.3
ABOVE 10 TO 100	±0.5
ABOVE 100	±0.8
ANGULAR DIMENSIONS	±5°

TACLEX ELECTRONICS CO., LTD.

101112	Modify S1-S4: 23 => 25 ; H3-H4: 29 => 34	A3	白紅劉高	APPROVED BY	劉高	DATE	7/11	PROJECTION	第一角	DIMENSION UNIT	mm
101028	Modify the units: mm => inch in sheet 3 ; Add S1-S4 , H3-H4	A2	白紅劉高	CHECKED BY	劉高	DATE	10/11/7	SCALE	1:1	PART NAME	CS01-ABBN-H
100729	Modify CS01 SERIES => CS01-ABBN-H ; Add one sheet	A1	白紅劉高	DRAWN BY	白紅	DATE	100322	TYPE	SWAD SWITCH	PART NO.	8A10-3901-0001
NO.	DATE	REVISION DESCRIPTION	ISSUE	REVISE	APPROVED	DRAWN BY	DATE				2 of 3