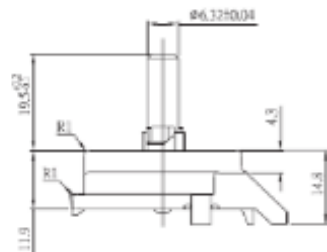
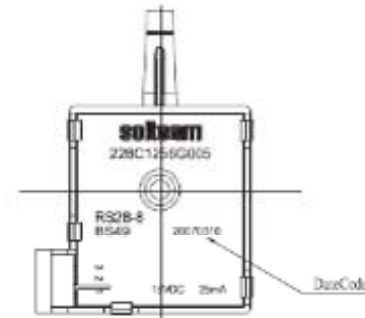
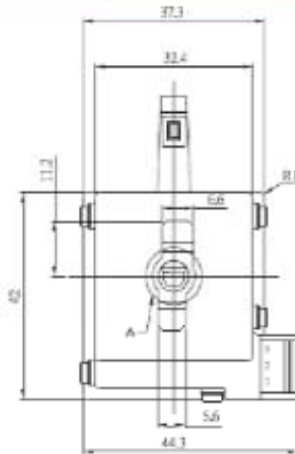




- ▶ Rating : 25mA 15VDC
- ▶ Life cycles : 25,000 cycles
- ▶ Operation : 1500±P400 GRAM
- ▶ Material used must be comply with BQI-0555

Dimensions in mm



POS./CCW	∠	OUTPUT	
		GN 2-1	GN 2-3
1	90°	800 Ohm	<10 Ohm
2	112.41°	700 Ohm	100 Ohm
3	134.82°	600 Ohm	200 Ohm
4	157.23°	500 Ohm	300 Ohm
5	179.64°	400 Ohm	400 Ohm
6	202.05°	300 Ohm	500 Ohm
7	224.46°	200 Ohm	600 Ohm
8	246.78°	100 Ohm	700 Ohm

