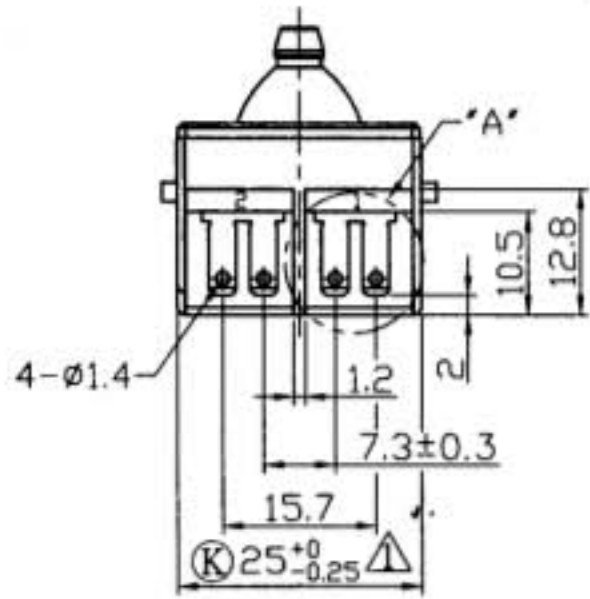
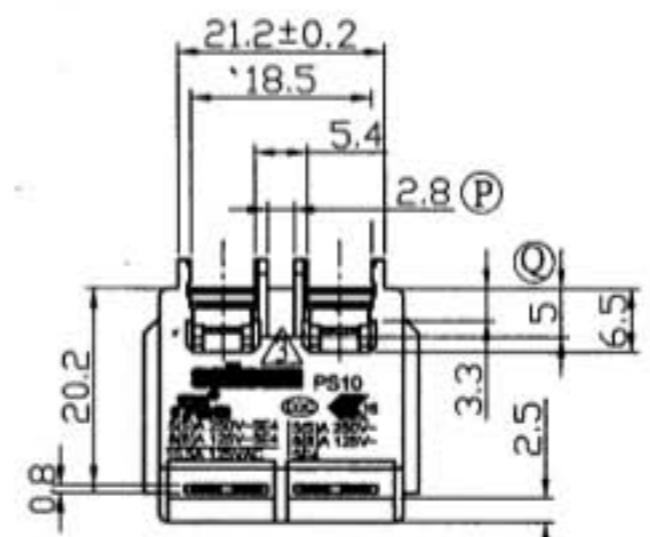
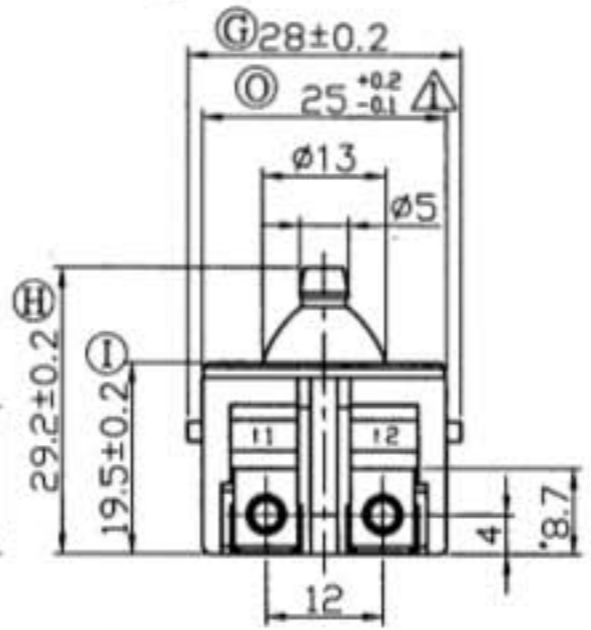
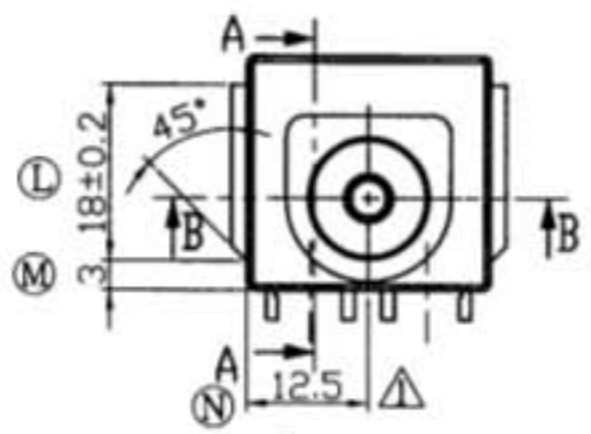
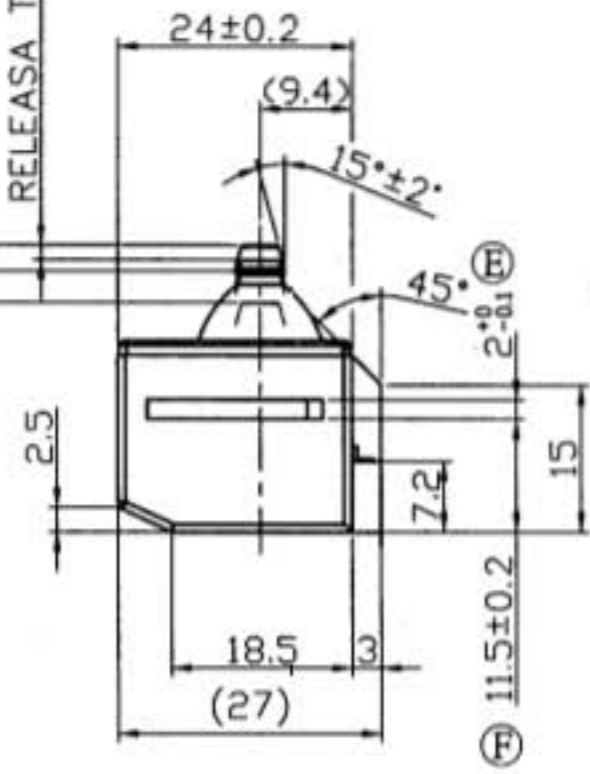


DETAIL "A" (2:1)

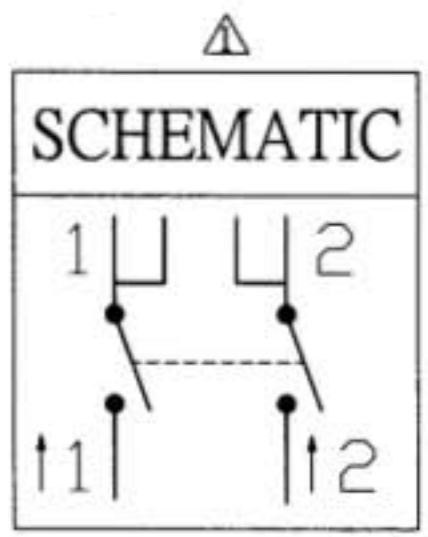


STROKE 5.8±0.3 ⑥  
 PERTRAVEL 2.6±0.3 ③  
 RELEASE TRAVEL 1.5±0.3 ④



SPECIFICATION

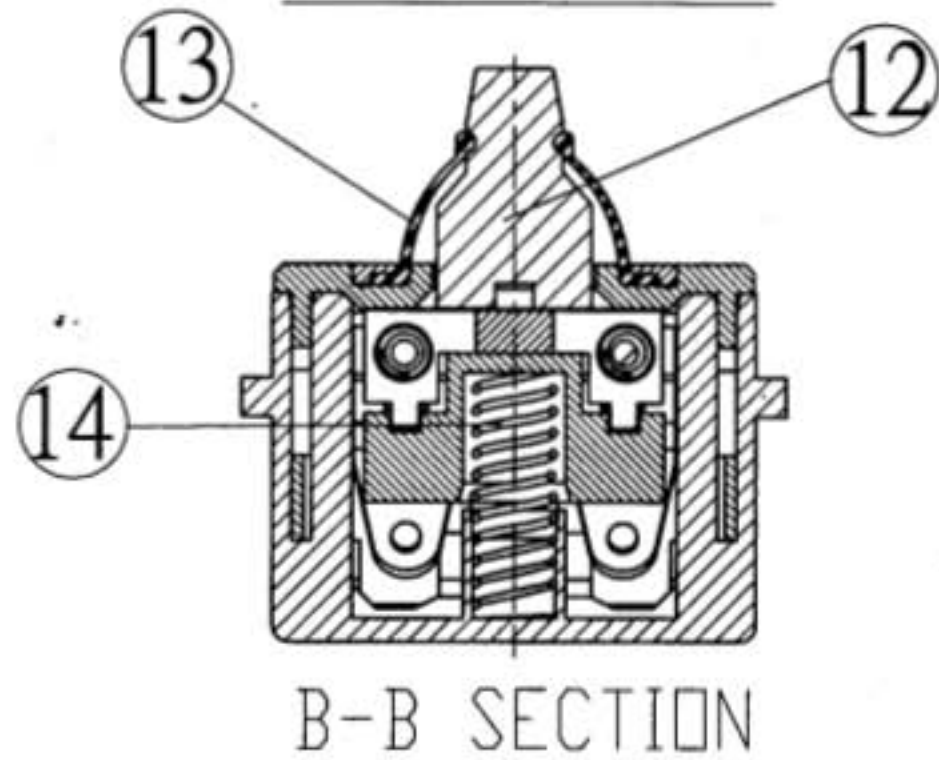
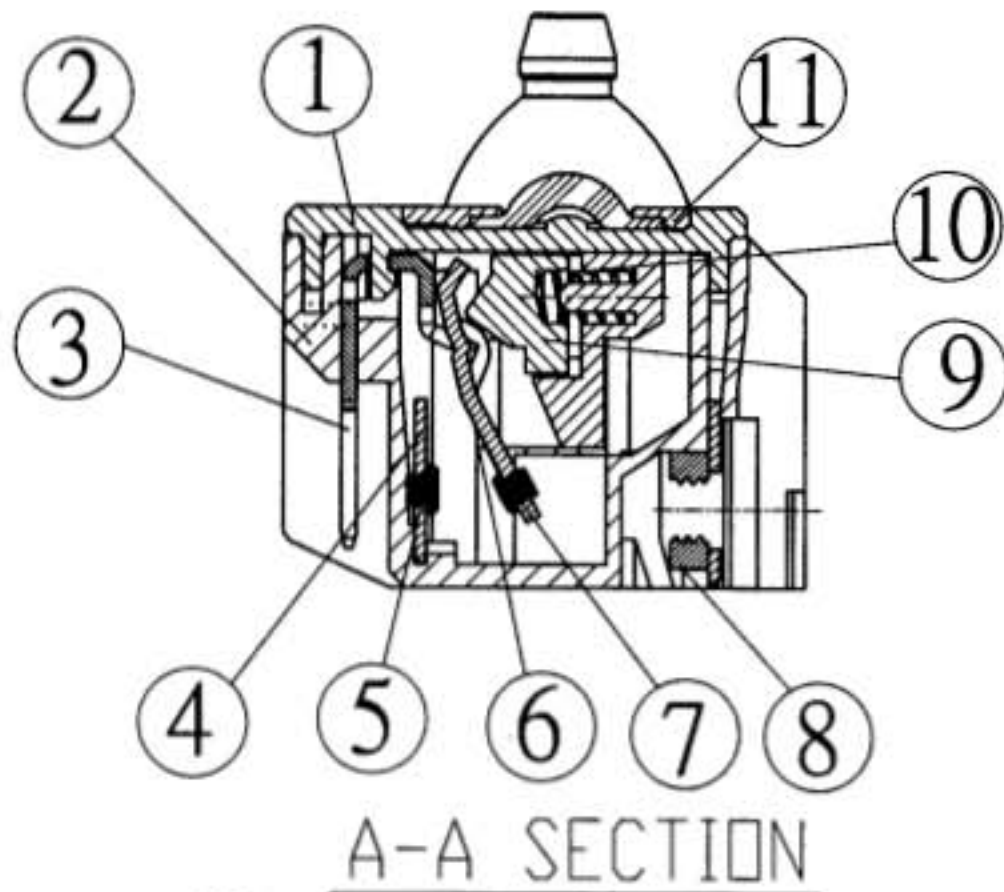
△ CONTACT RATING: 10.5A/125VAC (UL&C-UL)  
 5(5)A/250V~ (ENEC&UL)  
 8(8)A/125V~ (ENEC&UL)  
 INITIAL CONTACT RESISTANCE: 10mΩ (MAX.)  
 INSULATION RESISTANCE: 500MΩ (MIN) 500 VDC  
 TERMINAL TO TERMINAL DIELECTRIC  
 WITHSTAND VOLTAGE: 1500 VAC-1 minute



TOLERANCES UNLESS OTHERWISE	
BASIC DIMENSIONS TOLERANCES	
UP TO 10	±0.3
ABOVE 10 TO 100	±0.5
ABOVE 100	±0.8
ANGULAR DIMENSIONS	±5°

TACLEX ELECTRONICS CO., LTD.

NO.	DATE	REVISION DESCRIPTION	ISSUE	REVISE	APPROVED	APPROVED BY	DATE	PROJECTION	DIMENSION UNIT	PART NAME	PART NO
△	100311	ADD CQC & UL MARK	A3	白紅	吳繼強	吳繼強	100312	第一角	mm	PS10-21BB-R11	8A10-1109-0001△
△	090727	MODIFY DRAWING	A2	覃觀福	吳繼強	吳繼強	100312	1:1			
△	090109	DUO TO CUSTOMER'S REPAIRMENT, ADD K-Q DIM	A1	李紅娟	謝冰兵	白紅	080613	PUSH SWITCH			



Material List of Push Switch Model:"PS10"

NO	PART NAME	MATERIAL DESCRIPTION	QTY
1	Top Housing (Color:Black)	Nylon 66+15%GF	1
△ 2	Base (Color: Black)	Nylon 66+25%GF	1
3	Stationary Terminal	Brass	2
4	Terminal	Brass	2
5	Fixed Contact	Silver Alloy	2
6	Contact Terminal	Brass	2
7	Movable Contact	Silver Alloy	2
8	Nut	SPCC	2
9	Plunger	PA46+30%GF	1
10	Switching Spring	SWP	2
11	Dust Plank (Color: Red)	Nylon 66+15%GF	1
12	Actuator	Nylon 66+25%GF	1
13	Dust Boot (Color: Black)	TPR	1
14	Actuator Spring	SWP	1



TACLEX ELECTRONICS CO., LTD.

NO.	DATE	REVISION DESCRIPTION	ISSUE	REVISE	APPROVED	APPROVED BY	DATE	PROJECTION	DIMENSION UNIT	PART NAME	PART NO
△ 100311		ADD CQC & UL MARK	A3	白紅	吳繼強	吳繼強	100312	第一角	mm	PS10-21BB-R11	8A10-1109-0001 △
△ 090727		MODIFY DRAWING	A2	單觀福	吳繼強	吳繼強	100312	2:1			
△ 090109		DUO TO CUSTOMER'S REPAIRMENT, ADD K-Q DIM	A1	李紅娟	謝冰兵	白紅	080613	PUSH SWITCH			