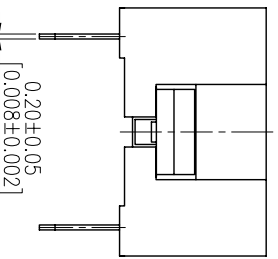
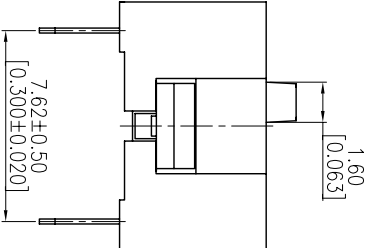
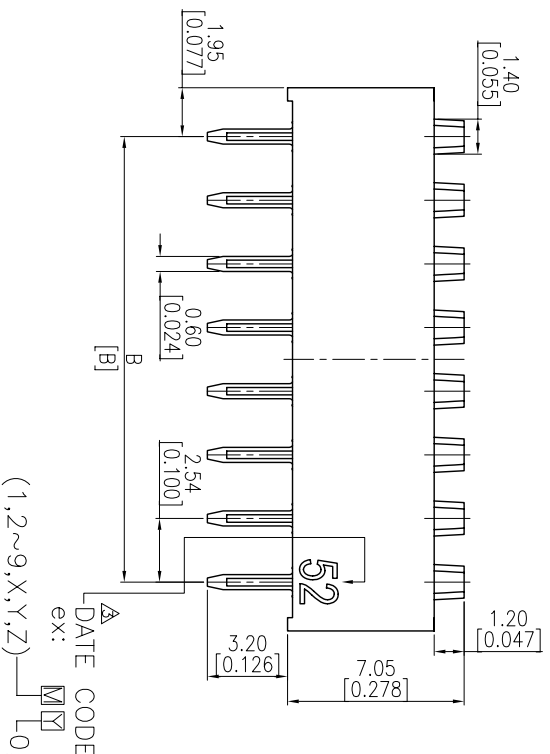
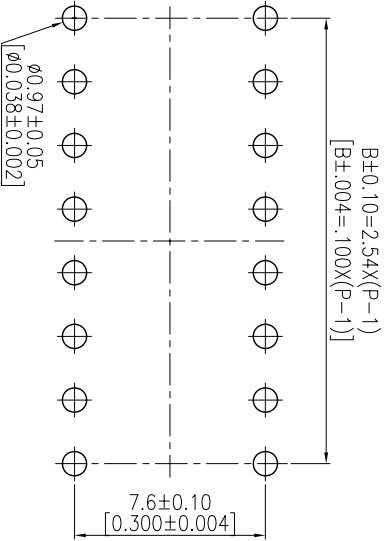
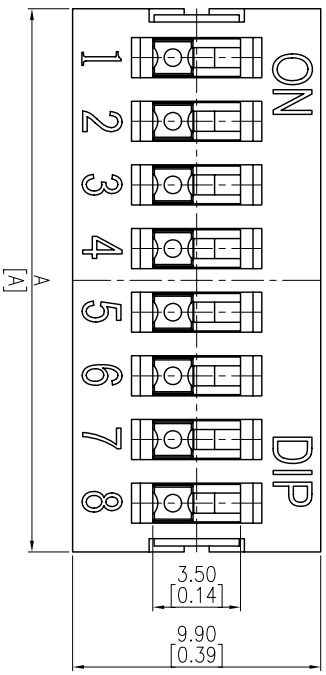


- NOTE: 1. ALL DIMENSIONS ARE IN MILLIMETERS, BRACKETED DIMENSIONS ARE IN INCHES.  
 2. GENERAL TOLERANCES: 10mm OVER -  $\pm 0.20$ mm, 10mm BELOW -  $\pm 0.10$ mm.  
 3. MATERIAL: SEE PAGE 3 OF 3.  
 4. This product is lead free.



DATE CODE  
 ex: (1,2~9,X,Y,Z) 0,1,2,~9

附表A

NDS(R)-12-V	12	31.84[1.254]	27.94[1.100]
NDS(R)-10-V	10	26.76[1.054]	22.86[.900]
NDS(R)-09-V	9	24.22[.954]	20.32[.800]
NDS(R)-08-V	8	21.68[.854]	17.78[.700]
NDS(R)-07-V	7	19.14[.754]	15.24[.600]
NDS(R)-06-V	6	16.60[.654]	12.70[.500]
NDS(R)-05-V	5	14.06[.554]	10.16[.400]
NDS(R)-04-V	4	11.52[.454]	7.62[.300]
NDS(R)-03-V	3	8.98[.354]	5.08[.200]
NDS(R)-02-V	2	6.44[.254]	2.54[.100]
NDS(R)-01-V	1	3.90[.153]	0[0]

SCHEMATIC(TYP)

(1,2,3,4,5,6,7,8,9,10,12, POS AVAIL)

ZONE	REV.	DESCRIPTION	DATE	APPRO.
A3		依設備12006執行變更	2012/05/21	邱明義
A2		依設備12001執行變更	2012/02/29	邱明義
A1		DWG REL.	2011/12/02	邱明義

APPRO:	邱明義	QTY:	
CHKD:	張文遠	SCALE:	1:5
DR:	屈君	UNITS:	mm
DESIGN:	屈君	REV:	A3
		PART NO.:	參考附表A
		MAT'L:	
		FINISH:	
		DWG NO.:	RD1P2-9
		PART NAME:	SLIDE TYPE DIP SWITCH

H

G

F

E

D

C

B

A

1 2 3 4 5 6 7 8 9 10