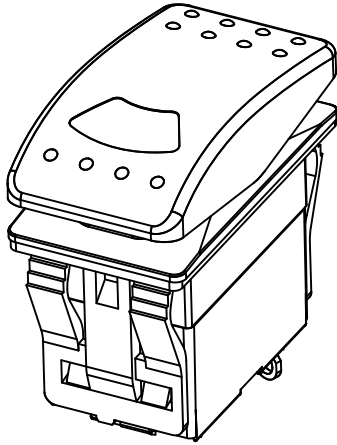


Series MR

Sealed Rocker Switches

NEW !



SPECIFICATIONS:

CONTACT RATING: 25A 12VDC, 15A 24VDC.
 ELECTRICAL LIFE: 30,000 make-and-break cycles at full load.
 CONTACT RESISTANCE: 20m-ohms max. initial @2-4VDC
 INSULATION RESISTANCE: 500VDC 100M-ohms min.
 DIELECTRIC STRENGTH: 1,500VAC for 1 minute.
 RESISTOR: 12V with 1K-Ohms, 24V with 2.2K-Ohms.
 SOLDERING TEMPERATURE: Hand soldering 350°C for max. 3sec.
 OPERATING TEMPERATURE: -20°C to +85°C

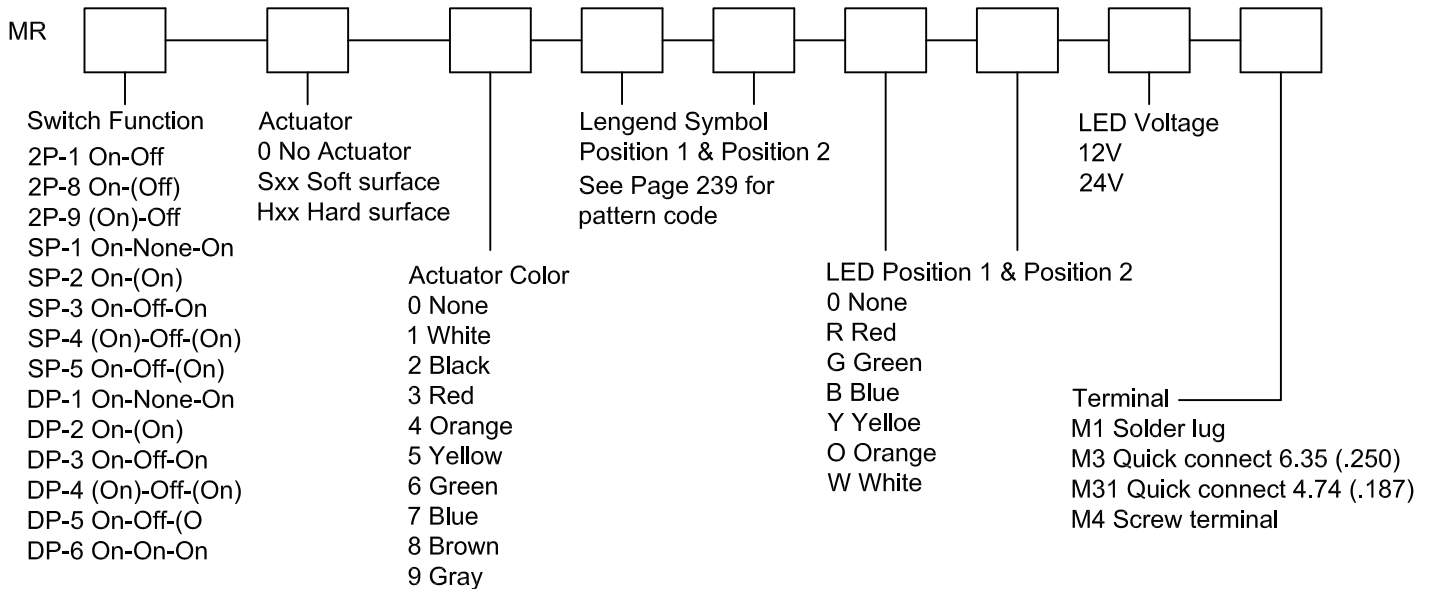
MATERIALS:

BASE: Nylon 66 (UL94V-0).
 PLUNGER & CAP: Brass, nickel plated.
 BUSHING: Brass, nickel plated
 COVER: Stainless steel.
 PIVOT PIN: POM.
 SPRING: Piano wire.
 TERMINAL & CONTACT: Copper, tin plated.
 NUT: Brass, nickel plated.
 RING: POM.
 WASHER: Steel, nickel plated.

Specifications and Dimensions subject to change

If your preferred product configuration is not shown, please contact our sales representative for custom design.

HOW TO ORDER SYSTEM

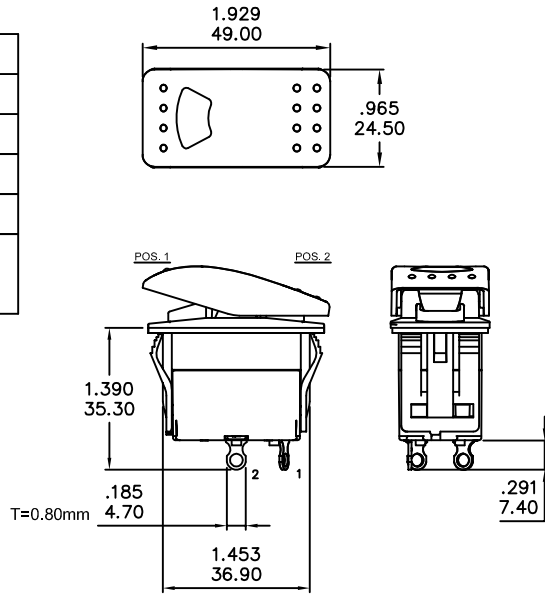


Series MR

Sealed Rocker Switches

SPST

Model No.	Switching Position		
	POS. 1		POS. 2
2P-1	ON	NONE	OFF
2P-8	ON	NONE	(OFF)
2P-9	(ON)	NONE	OFF
Term. Comm.	2-1	N/A	OPEN

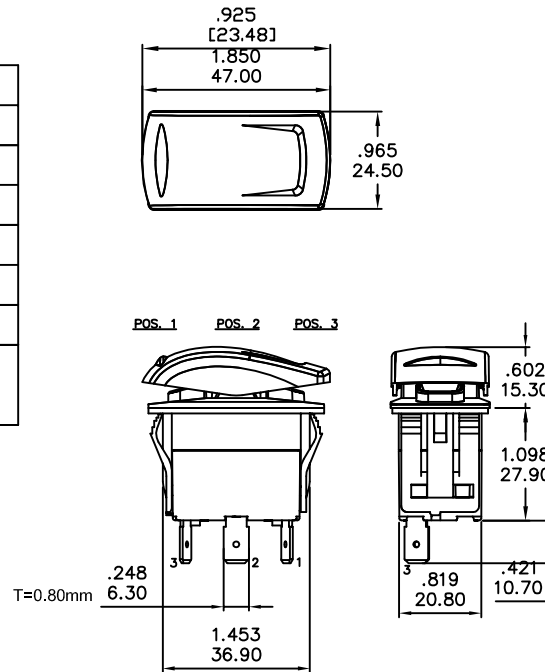


Schematic

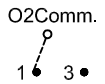


SPDT

Model No.	Switching Position		
	POS. 1	POS. 2	POS. 3
SP-1	ON	NONE	ON
SP-2	ON	NONE	(ON)
SP-3	ON	OFF	ON
SP-4	(ON)	OFF	(ON)
SP-5	ON	OFF	(ON)
Term. Comm.	2-1	2-1	2-3



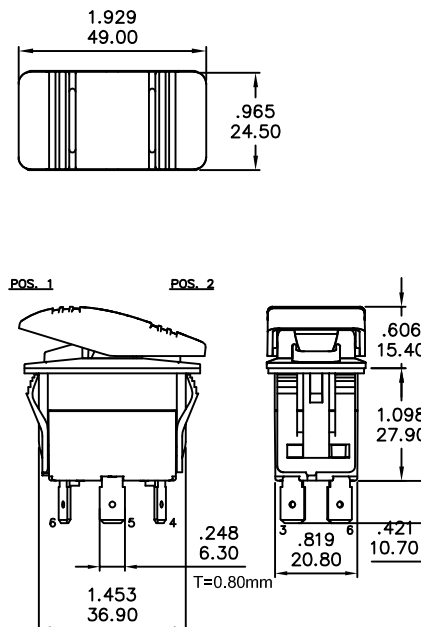
Schematic



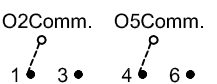
DPDT

Model No.	Switching Position		
	POS. 1	POS. 2	POS. 3
DP-1	ON	NONE	ON
DP-2	ON	NONE	(ON)
DP-3	ON	OFF	ON
DP-4	(ON)	OFF	(ON)
DP-5	ON	OFF	(ON)
Term. Comm.	2-1,5-4	2-1	2-3,5-6

Model No.	Switching Position		
	POS. 1	POS. 2	POS. 3
DP-6	ON	ON	ON
Term. Comm.	2-1,5-4	2-1,5-6	2-3,5-6



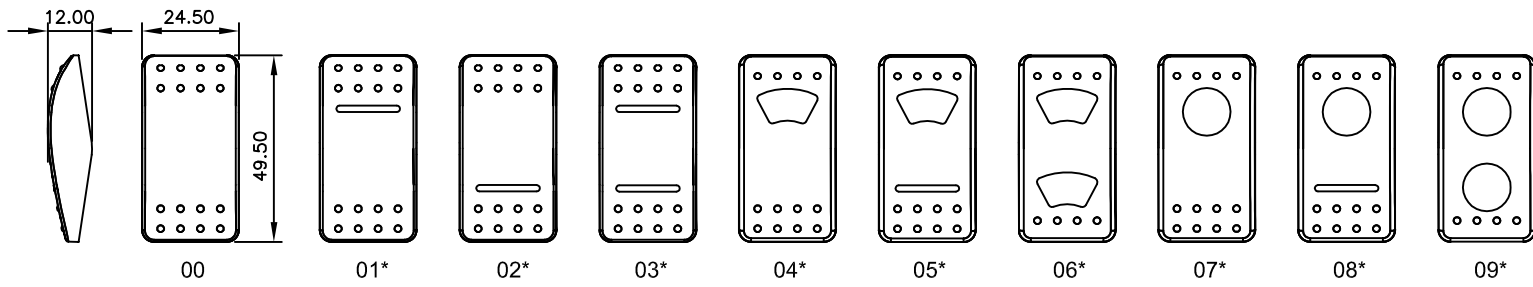
Schematic



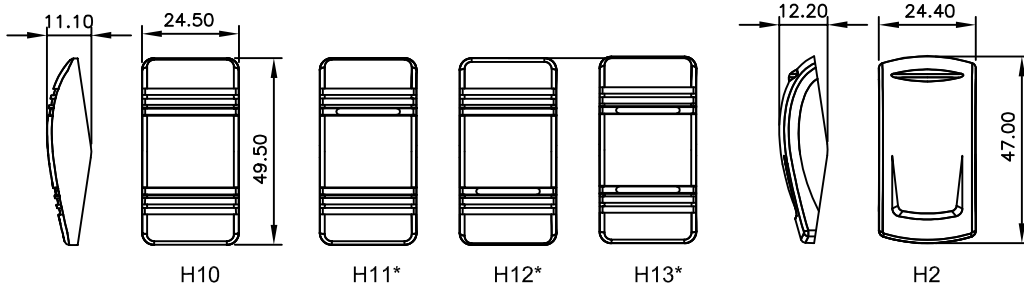
Series MR

Sealed Rocker Switches

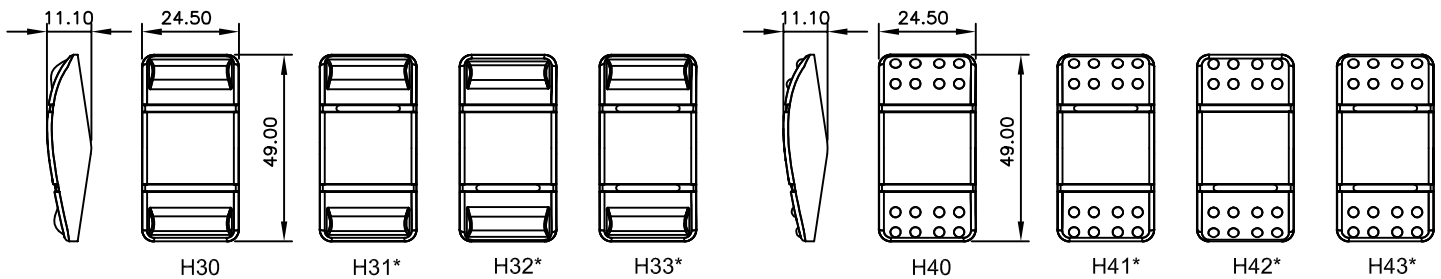
ACTUATOR OPTIONS



Above is available with Soft and Hard surface, prefix the code with S (soft) or H (Hard) for actuator texture, ex: S01



Code	Surface Finish
H2A	Bright finish
H2B	Enamelled finish
H2C*	Enamelled finish with illumination through laser etched mark



* With single or dual LED illumination