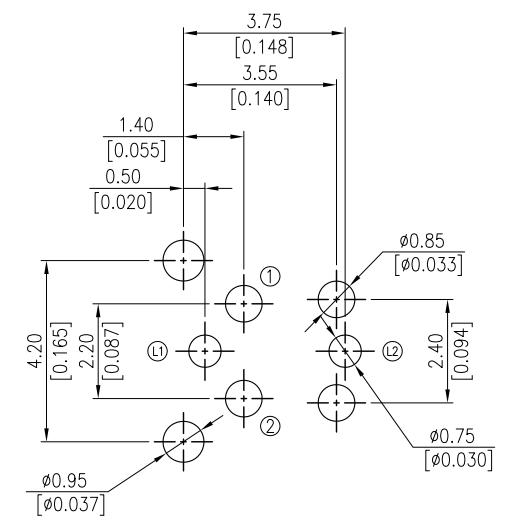
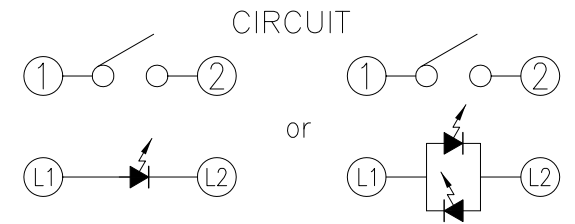
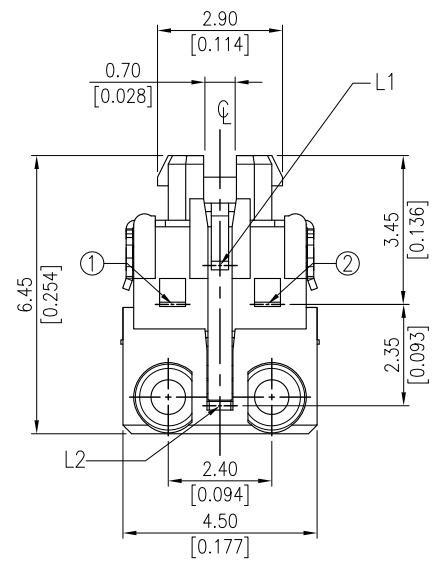


NOTE:
 1. ALL DIMENSIONS ARE IN MILLIMETERS.
 BRACKETED DIMENSIONS ARE IN INCHES.
 2. GENERAL TOLERANCES $\pm 0.25\text{mm}$.
 3. MECHANICAL:
 Operating Force (OF): $160 \pm 50\text{gf}$.
 Life: 100,000 CYCLES.
 Total Travel: $0.2 \pm 0.10\text{mm}$.
 Operating Temperature Range: $-20^\circ\text{C} \sim +70^\circ\text{C}$
 4. ELECTRICAL:
 Switch Rating: 50 mA, 12V DC.
 Contact Resistance: 100 m Ω Max.
 Insulation Resistance: 100V DC for 1 minute,
 100 M Ω Min.
 LED Operating Current: 20mA Max.



P.C.B LAYOUT

△			
△			
△			
△			
△			
SYM	DISCIPTION	DATE	APPROVED

TACLEX TACLEX ELECTRONICS CO., LTD.		TOLERANCES UNLESS OTHERWISE SPECIFIED	
		LINEAR: ± 0.30 ANGULAR: $\pm 3^\circ$	
REVISIONS	SCALE	SIGNATURES	DATE
A	5/1	DRAWN Alex	2012.05.15
		CHK'D Andy	2012.05.15
		APPV'D Rex	2012.05.15
		TITLE	
		LED SWITCH	
		NO.	
		ML3	