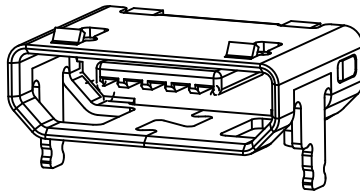
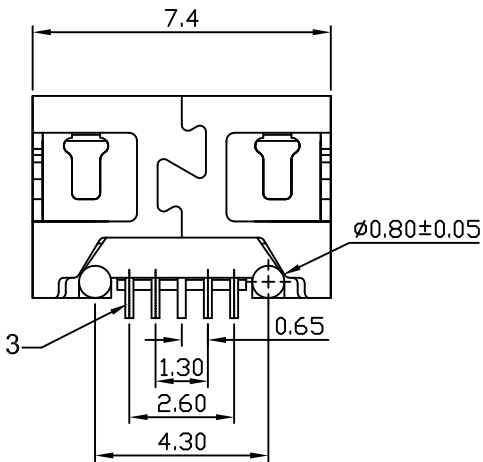
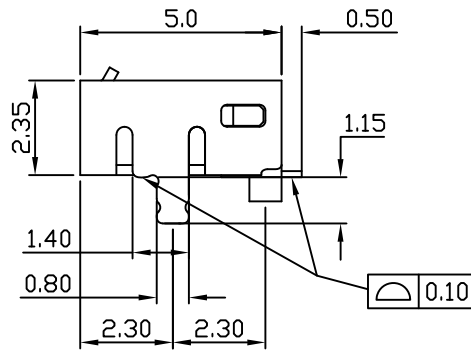
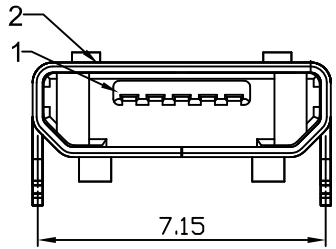
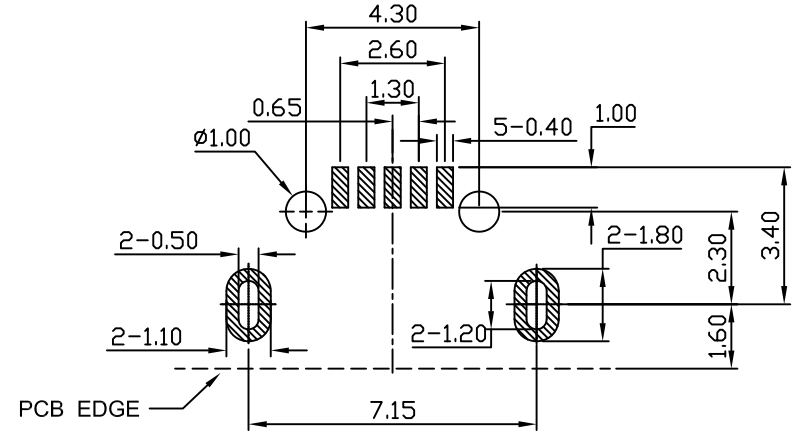


| NO. | NAME | MATERIAL | PLATING |
|-----|-----------|--------------|---------------|
| 1 | HOUSING | Nylon or LCP | |
| 2 | SHELL | Alloy | Nickel-Plated |
| 3 | PIN TERM. | Copper Alloy | Gold-Plated |



TCU-S60M2 * - * * E

Series _____
 Type _____
 B: Black _____
 Material L: LCP _____
 Shell _____
 E: Nickel Plated _____
 Version / Plated
 1: Gold Flash
 2: 30u"



RECOMMENDED PCB LAYOUT
 TOP VIEW
 TOLERANCE: ±0.02mm
 PCB THICKNESS: 0.80±0.05mm

| SYM | DISCRIPTION | DATE | APPROVED |
|-----|-------------|------|----------|
| △ | | | |
| △ | | | |
| △ | | | |
| △ | | | |

TACLEX TACLEX ELECTRONICS CO., LTD.

| | | | | |
|---|--------------|---------------|------------|---------------|
| TOLERANCES UNLESS OTHERWISE SPECIFIED LINEAR: ±0.30 ANGULAR: ±3° | SIGNATURES | | DATE | TITLE |
| | DRAWN | Eric | 2010.12.22 | MICRO USB SMT |
| | CHK'D | Alex | 2010.12.22 | NO. |
| REVISIONS A | SCALE 5/1 | APPV'D Rex | 2010.12.22 | TCU-S60M2 |