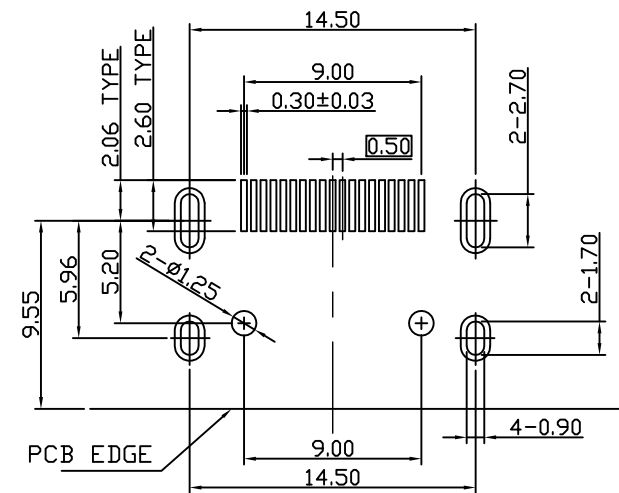
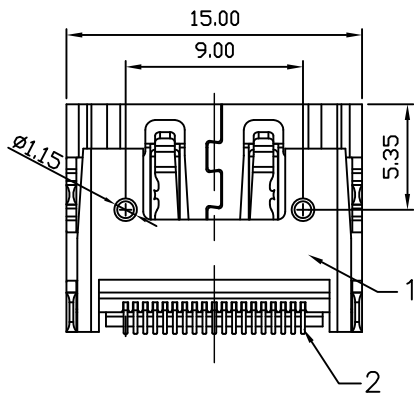
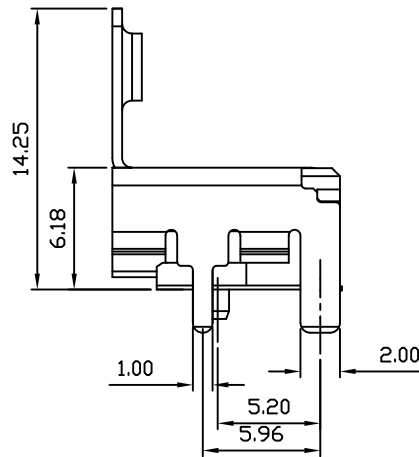
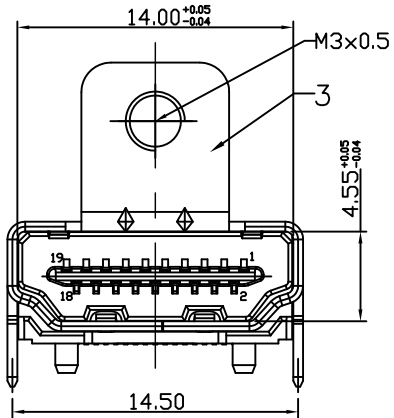
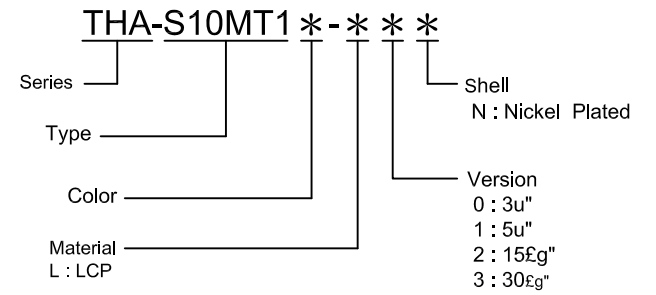


NO.	NAME	MATERIAL	PLATING
1	HOUSING	LCP	
2	SHELL	PHOS. BRONZE	Ni-Plated
3	PIN TERM.	PHOS. BRONZE	Gold-Plated



**RECOMMENDED PCB LAYOUT
TOP VIEW**

△			
△			
△			
△			
△			
SYM	DISCRIPTION	DATE	APPROVED



TACLEX

TACLEX ELECTRONICS CO., LTD.

TOLERANCES UNLESS
OTHERWISE SPECIFIED
LINEAR: ±0.30 ANGULAR: ±3°

SIGNATURES

DATE

TITLE

DRAWN

Eric

2007.02.01

HDMI A TYPE SMT

CHK'D

Alex

2007.02.01

NO.

THA-S10MT1

REVISIONS

A



SCALE

5/1

APPV'D

Rex

2007.02.01