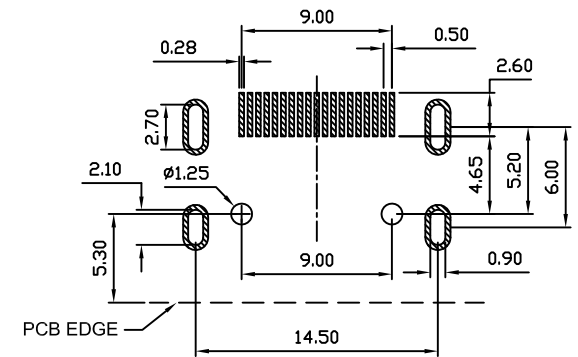
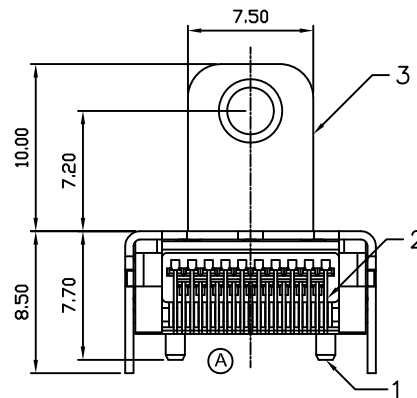
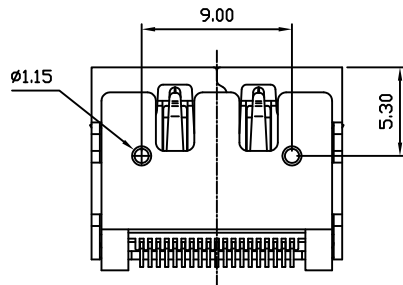
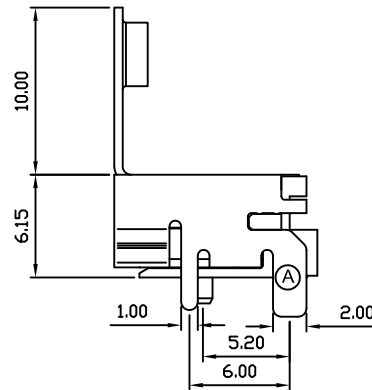
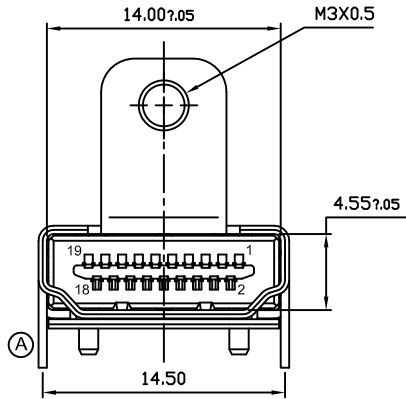
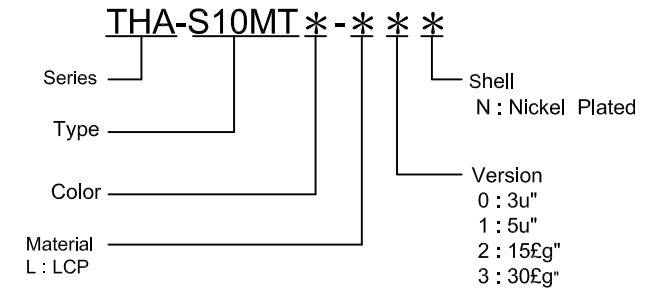


NO.	NAME	MATERIAL
1	HOUSING	LCP
2	PIN TERM.	PHOS. BRONZE
3	SHELL	PHOS. BRONZE



RECOMMENDED PCB LAYOUT
TOP VIEW

SYM	DISCRIPTION	DATE	APPROVED
△			
△			
△			
△			
△			



TACLEX

TACLEX ELECTRONICS CO., LTD.

TOLERANCES UNLESS OTHERWISE SPECIFIED
LINEAR: ±0.30 ANGULAR: ±3°

SIGNATURES

DATE

TITLE

DRAWN

Sam

2004.05.18

HDMI A TYPE SMT

CHK'D

Mars

2004.05.18

NO.

THA-S10MT

REVISIONS

A



SCALE

5/1

APPV'D

Andy

2004.05.18