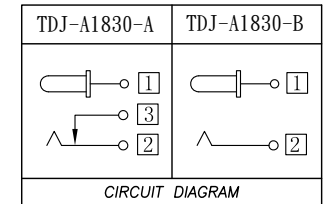
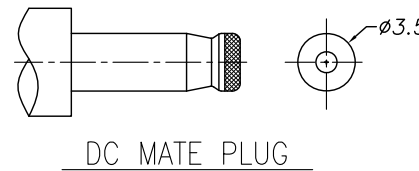
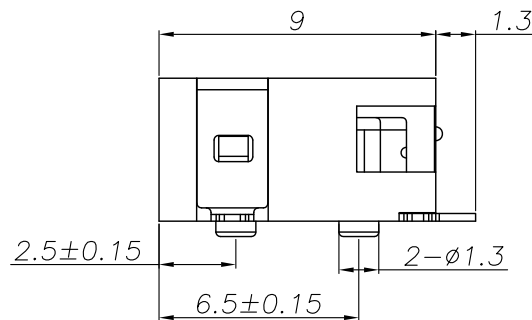
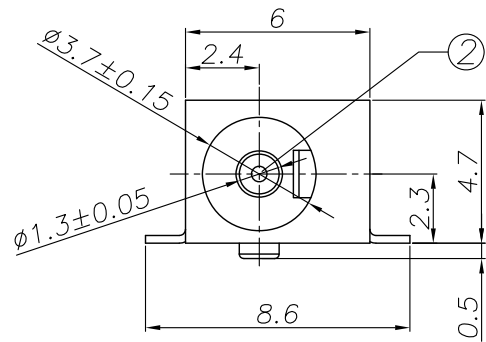


P. C. B Layout (Copper-sided view)

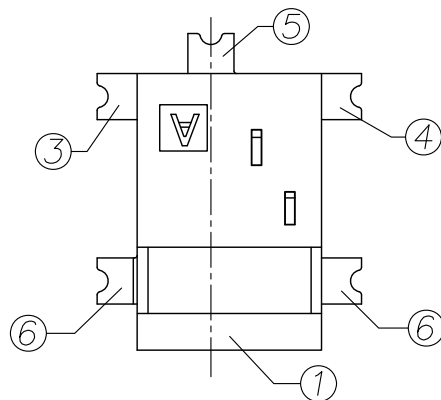


□ : TERMINAL NO.

TDJ-A1830 - □ □ □ □ □ □ □ □ □
 (1) (2) (3) (4) (5) (6) (7) (8) (9)

- (1):Series type:
- (2):Series No.
- (3):Schematic option:
A、B
- (4):Center pin diameter:
E:φ1.3
- (5):Material of housing:
9T=PA9T (Standard)
- (6):Housing color:
0A=Black (Standard)
- (7):Terminal plating:
S=Silver(Ag)
- (8):Special option:
0=No special option
- (9):Packing mode:
1=Reel packing

SPECIFICATION
 1.Rating : DC 12V 2A;
 2.Contact resistance: ≤30mΩ;
 3.Insulation resistance: ≥100MΩ (DC250V);
 4.Withstand voltage: 500VAC ;
 5.Insertion and extraction force: 3-30N;
 6.life test: 5,000 cycles.



⑥	Frame	④	1	Brass t=0.25	Ag-Plating
⑤	Shunt terminal	③	1	Brass t=0.25	Ag-Plating
④	Tip spring	②	1	Phosphor bronze t=0.3	Ag-Plating
③	Center pin terminal	①	1	Brass t=0.25	Ag-Plating
②	Center pin	①	1	Brass	CuSn-Plating
①	Housing		1	PA9T	
NO.	DESCRIPTION		QTY	MATERIAL	PLATING

TACLEX TACLEX ELECTRONICS CO., LTD.

TOLERANCES UNLESS OTHERWISE SPECIFIED LINEAR:±0.30 ANGULAR: ±3°		SIGNATURES		DATE	TITLE
		DRAWN	Andy	2006.05.11	DC POWER JACK
		CHK'D	Alex	2006.05.11	NO.
		APPV'D	Rex	2006.05.11	TDJ-A1830
REVISIONS	SCALE				
A	5/1				

△			
△			
△			
△			
△			
SYM	DISCRIPTION	DATE	APPROVED