



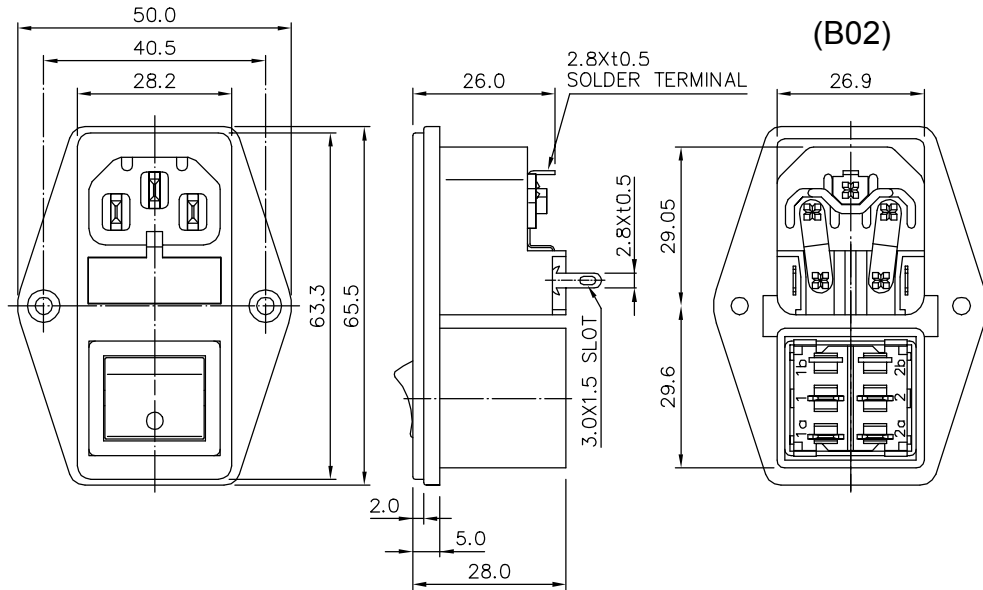
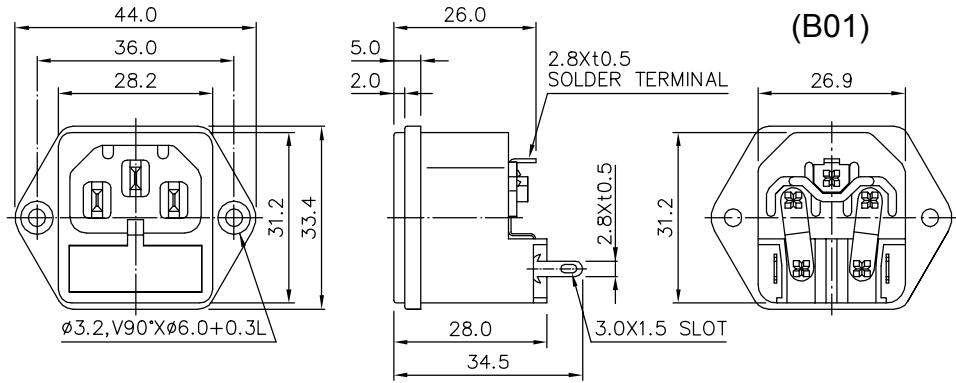
3545 SERIES



Standards: IEC60320/C14  
IEC60127

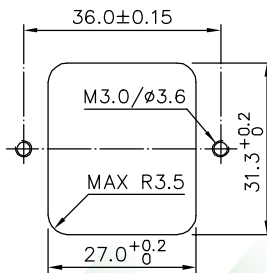
### SPECIFICATION

RATING	: 10A 250VAC (UL,C-UL)
INLET	: 10A 250V~ (ENEC)
FUSE HOLDER	:  MAX.10A/ 2 X 2.5W 250V~ (ENEC)
INSULATION RESISTANCE	: DC 500V 100MΩ OR MORE
WITHSTAND VOLTAGE	: AC 1500V FOR 1 Min

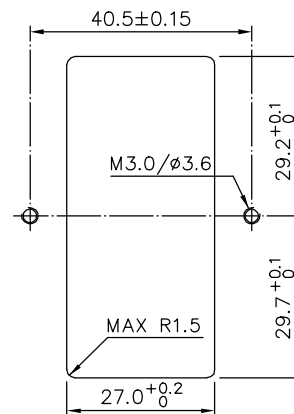


(B01)

(B02)



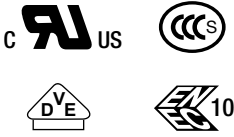
MOUNTING HOLE (FOR REFERENCE)



MOUNTING HOLE (FOR REFERENCE)



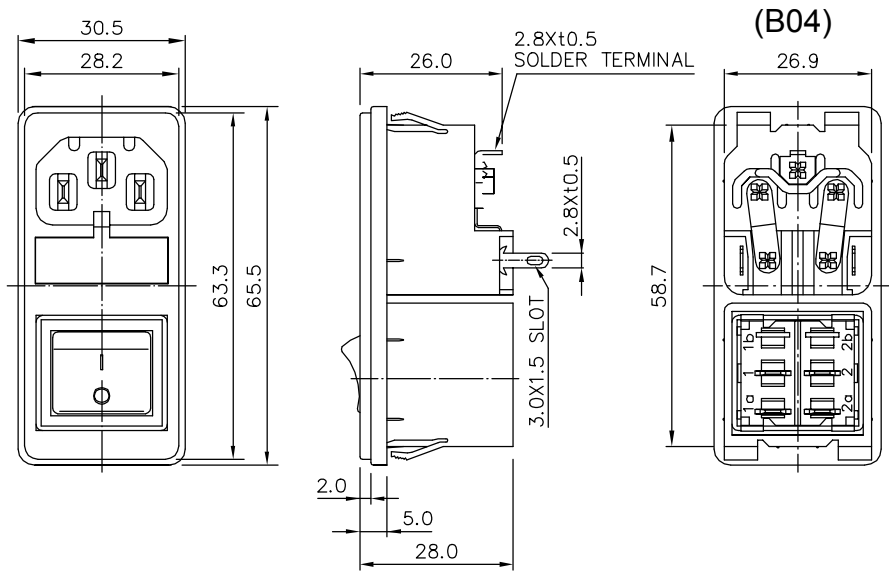
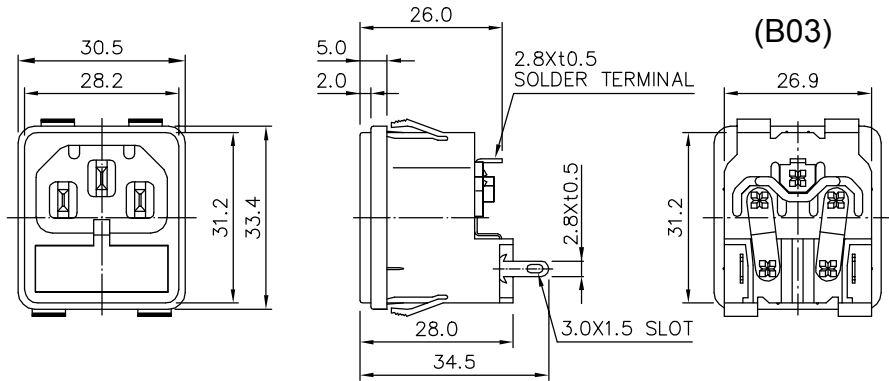
3545 SERIES



Standards: IEC60320/C14 IEC60127

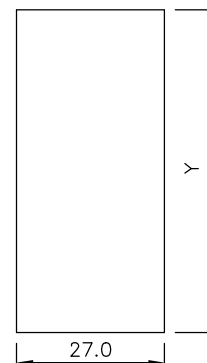
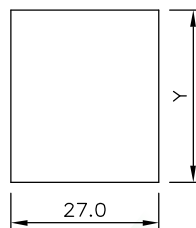
### SPECIFICATION

RATING	: 10A 250VAC (UL,C-UL)
INLET	: 10A 250V~ (ENEC)
FUSE HOLDER	:  MAX.10A/2.5W 250V~ (ENEC)
INSULATION RESISTANCE	: DC 500V 100MΩ OR MORE
WITHSTAND VOLTAGE	: AC 1500V FOR 1 Min



(B03)

(B04)



MOUNTING HOLE (FOR REFERENCE)	X= PANEL THICK	
	X	Y
	0.8~1.2	31.4 <sup>+0.2</sup> <sub>0</sub>
1.3~2.0	31.6 <sup>+0.2</sup> <sub>0</sub>	

MOUNTING HOLE (FOR REFERENCE)	X= PANEL THICK	
	X	Y
	0.8~1.2	58.9 <sup>+0.2</sup> <sub>0</sub>
1.3~2.0	59.1 <sup>+0.2</sup> <sub>0</sub>	

SOCKET