



SPECIFICATIONS

RATING : 0.1A, DC30V MAX/100mA, DC1.5V MIN

CONTACT RESISTANCE : 50 mΩ MAX.

INSULATION RESISTANCE : 100 MΩ MIN.

ELECTRICAL LIFE : 50,000 cycles

ACTUATION FORCE: 250 ± 100g

TRAVEL:

1. Full Travel: 1.5 ± 0.4mm

2. Contact Travel: 1.0 ± 0.4mm

OPERATING TEMPERATURE RANGE : -20°C to 70°C

MATERIALS

CASE: LCP,black.

HOUSING: Glass filled Nylon 6/6,black.

ACTUATOR : Glass filled Nylon 6/6,gray.

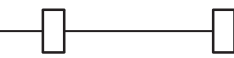
CONTACT : Copper alloy,silver plated.

TERMINALS : LCP, black & Copper alloy, silver plated.

HOW TO ORDER

MODEL NO. FUNCTION LED COLOR

PSD

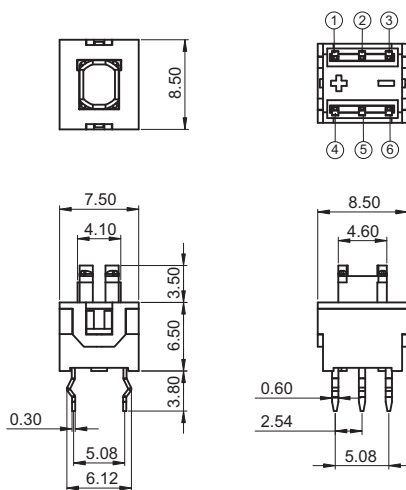


FUNCTION
7 On-Mom

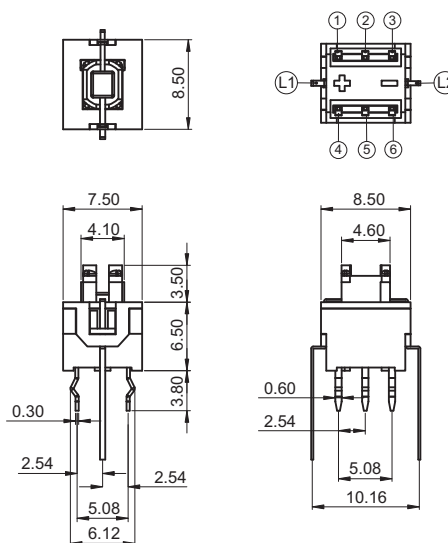
LED COLOR
0 Without LED
3 Red
5 Yellow
6 Green
7 Blue

TYPE	Switch Action	
	Normal ON	Push (ON)
PSD7	1-2 4-5	2-3 5-6
	LED Circuit: L1 → → L2	

PSD70



PSD7X



WITH LED ELECTRO-OPTICAL DATD

Lens Appearance	Color	Electro-optical Data(AT 20mA)				Peak wavelength	Viewing Angle 2θ 1/2 (deg)
		Vf (V)		Iv (mcd)			
		Typ.	Max.	Min.	Typ.		
Water Clear	Red	1.95	2.5	80	200	630	140°
	Yellow	2	2.5	300	400	590	140°
	Green	3.3	4.1	400	500	525	140°
	Blue	3.3	4	80	190	470	140°