

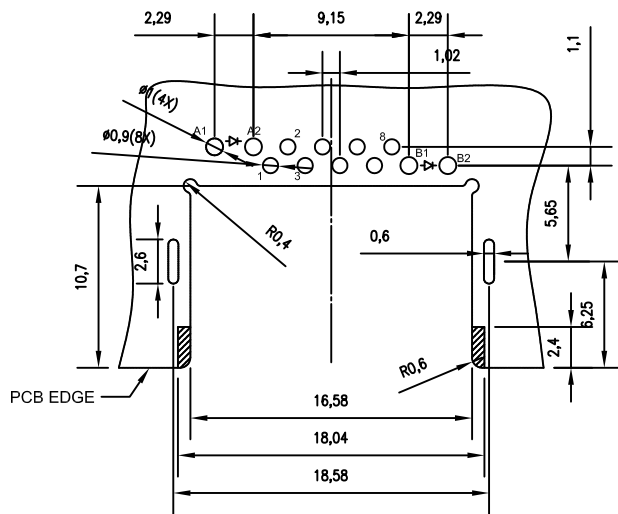
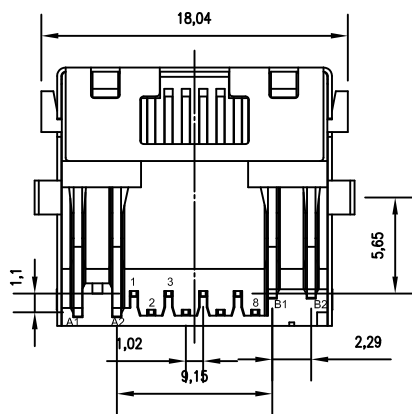
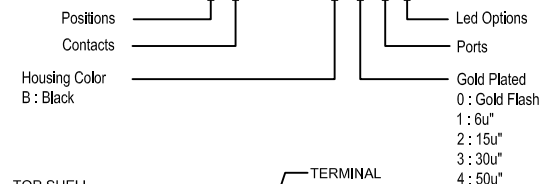
**Electrical Characteristics :**

- Insulation Resistance : 100MΩMin.
- Contact Resistance : 50mΩ Max.
- Withstand Voltage : 100 VAC 1 minute.
- Current Rating : 1.0A

**Material:**

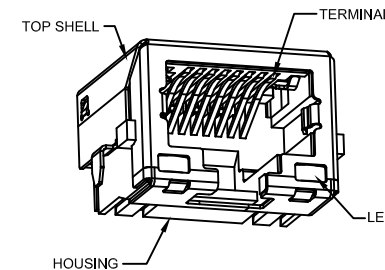
- Housing : Thermoplastic UL94V-0
- Contact : Selective Gold Plating
- Terminal: 0.30mm Thickness Phosphor Bronze Plated With Gold And Tin In Solder Area.
- Shell : SUS,Nickel Plated On The All Area

**PART NO : H A 8 8 K T - B \* 1 \***



**RECOMMENDED PCB LAYOUT  
TOP VIEW**

RECOMMENDED PCB THICKNESS: 1.20± 0.05mm



**LED Color Options Table**

LED Color Options		
LED 2 (Left)	LED 1 (Right)	LED DASH OPTION
No LED	No LED	0
Yellow	Green	1
No LED	Green	2
Yellow	No LED	3
Green	Yellow	4
Green	Green	5
Yellow	Yellow	6
Orange/Green	Orange/Green	7
Yellow/Green	Yellow/Green	8
Orange/Green	Yellow	9

△			
△			
△			
△			
△			
SYM	DISCRIPTION	DATE	APPROVED



**TACLEX**

**TACLEX ELECTRONICS CO., LTD.**

TOLERANCES UNLESS OTHERWISE SPECIFIED  
LINEAR: ±0.30 ANGULAR: ±3°

SIGNATURES

DATE

TITLE

DRAWN

Johnson

2011.5.20

RJ45 JACK WITH LED

REVISIONS



SCALE

5/1

APPV'D

Rex

2011.5.20

NO.

HA88KT-Bx1x