

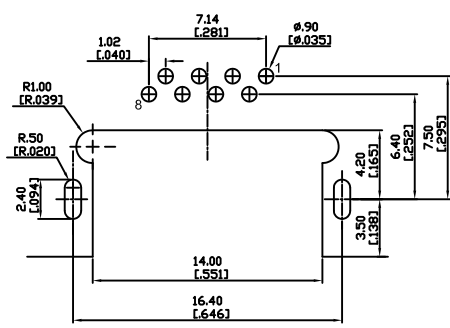
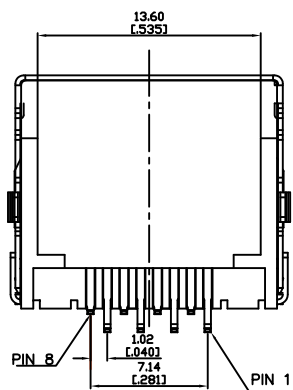
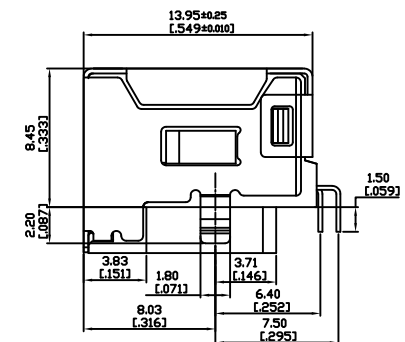
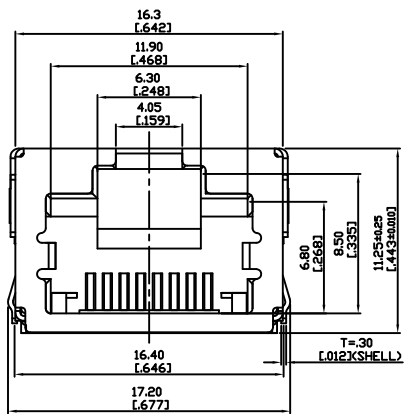
Electrical Characteristics :  
 Insulation Resistance : 100MΩMin.  
 Contact Resistance : 50mΩ Max.  
 Withstand Voltage : 100 VAC 1 minute.  
 Current Rating : 1.0A

Material:  
 Housing : Thermoplastic UL94V-0  
 Contact : Selective Gold Plating  
 Terminal : 0.25mm Thickness Copper Alloy  
 Plated With Gold And Tin In Solder Area.  
 Shell : Alloy,Nickel Plated On The All Area

PART NO : H A 8 8 K 4 - B \* 1 0

Positions  
 Contacts  
 Housing Color  
 B : Black

LED Options  
 Ports  
 Gold Plated  
 0 : Gold Flash  
 1 : 6u"  
 2 : 15u"  
 3 : 30u"  
 4 : 50u"



RECOMMENDED PCB LAYOUT  
TOP VIEW

- 1.DEFAULT TOLERANCE : ±0.05
- 2.RECOMMENDED PCB THICKNESS:1.20± 0.05mm

△			
△			
△			
△			
△			
SYM	DISCIPTION	DATE	APPROVED

<b>TACLEX</b>		<b>TACLEX ELECTRONICS CO., LTD.</b>			
					TOLERANCES UNLESS OTHERWISE SPECIFIED LINEAR:±0.30 ANGULAR: ±3°
REVISIONS		DRAWN <b>Andy</b> CHK'D <b>Alex</b> APPV'D <b>Rex</b>	DATE 2011.01.03 2011.01.03 2011.01.03	TITLE RJ45 JACK SINK NO. HA88K4-Bx10	
A		SCALE 5/1			