

Electrical Characteristics :

Insulation Resistance : 100MΩ Min.

Contact Resistance : 50mΩ Max.

Withstand Voltage : 500 VAC 1 minute.

Current Rating : 1.0A

Material:

Housing : Thermoplastic UL94V-0

Contact : Selective Gold Plating.

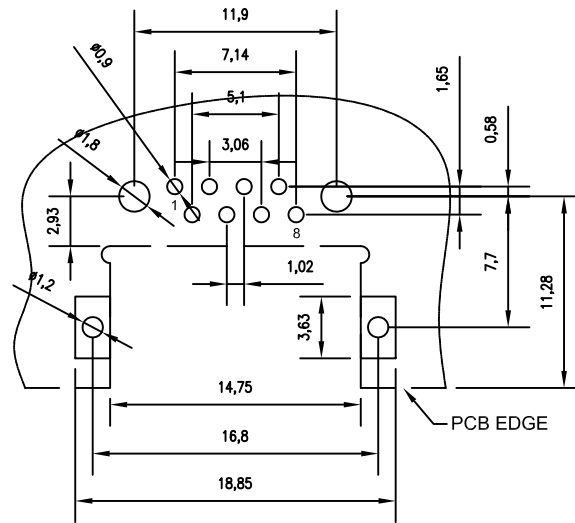
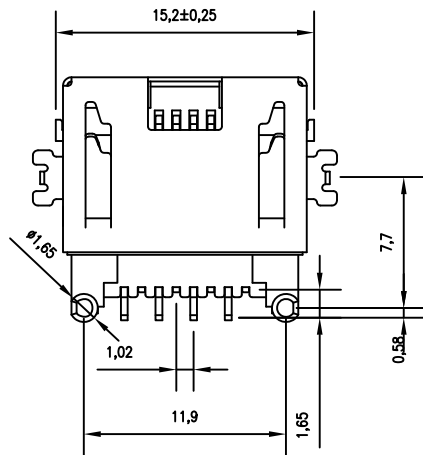
Terminal: 0.3mm Thickness Phosphor Bronze,
Tin Plated on the Solder Area.

Ⓐ. Shield : SUS, Tin Plated on the Solder Area.

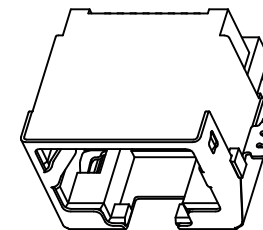
CUL File No : E215573

PART NO : CZ88A - B * 10

Positions →
Contacts →
Housing Color →
Gold Plated
0 : Gold Flash
1 : 6u"
2 : 15u"
3 : 30u"
4 : 50u"



**RECOMMENDED PCB LAYOUT
TOP VIEW**



△			
△			
△			
△			
△			
SYM	DISCIPTION	DATE	APPROVED

TACLEX TACLEX ELECTRONICS CO., LTD.

TOLERANCES UNLESS OTHERWISE SPECIFIED LINEAR: ±0.30 ANGULAR: ±3°		SIGNATURES	DATE	TITLE
REVISIONS		DRAWN Johnson	2011.5.20	RJ11 JACK
A	SCALE 5/1	CHK'D Alex	2011.5.20	NO.
		APPV'D Rex	2011.5.20	CZ88A-Bx10