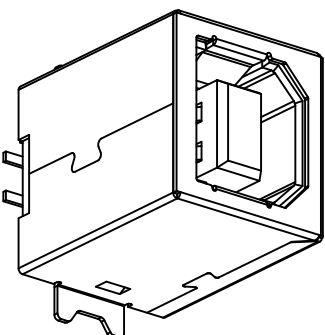
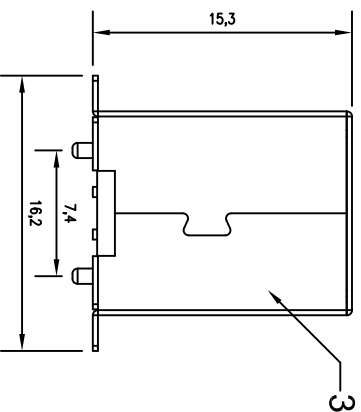
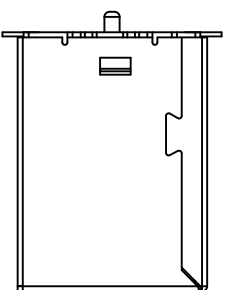
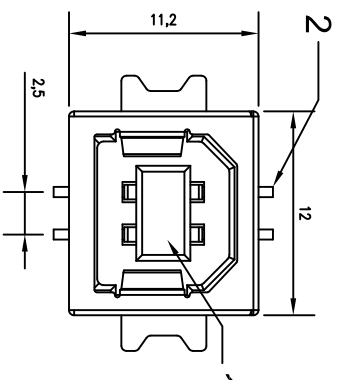
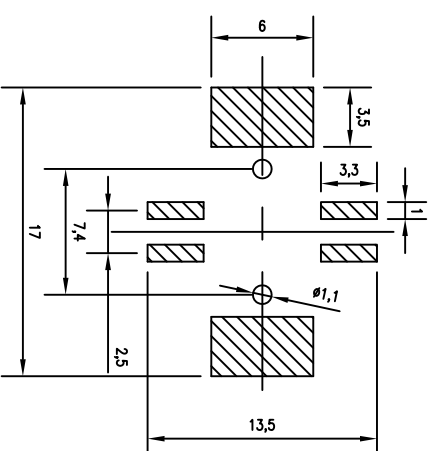


NO.	NAME	MATERIAL
1	HOUSING	PBT / Nylon
2	PIN TERM.	PHOS. BRONZE
3	SHELL	BRASS



REV	ZONE	REVISION	DATE	APPD.
A.1	(A)	增加Foggy Surface敘述	2009-03-17	Aaron



**SUGGESTED PCB LAYOUT**

**TUB-S10PM\*\*-\*\***

Series \_\_\_\_\_  
 Type \_\_\_\_\_  
 Color \_\_\_\_\_  
 B : Black  
 W : White

Shell \_\_\_\_\_  
 T : Tin Plated  
 N : Nickel Plated (Foggy Surface)  
 Version \_\_\_\_\_  
 1 : 1.1  
 2 : 2.0

Material \_\_\_\_\_  
 B : PBT  
 P : Nylon

**TACLIX TACLIX ELECTRONICS CO., LTD.**

TOLERANCES UNLESS OTHERWISE SPECIFIED		SIGNATURES		DATE		TITLE	
LINEAR: ±0.30 ANGULAR: ±3°		DRAWN	Johnson	2011.5.20	USB. TYPE B 180° SMT		
REVISIONS	SCALE	CHK'D	Alex	2011.5.20	NO. TUB-S10PMX-XXX		
A	5/1	APPV'D	Rex	2011.5.20			

NO.	DESCRIPTION	DATE	APPROVED
1			
2			
3			