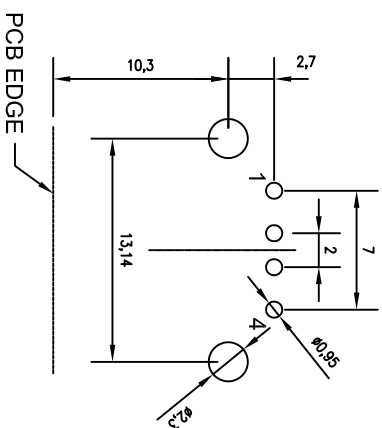
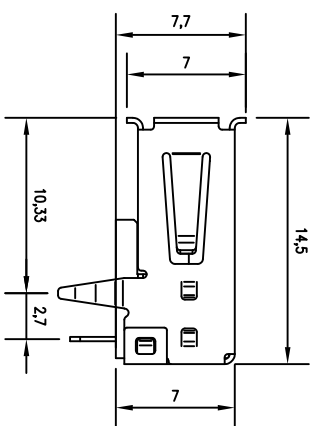
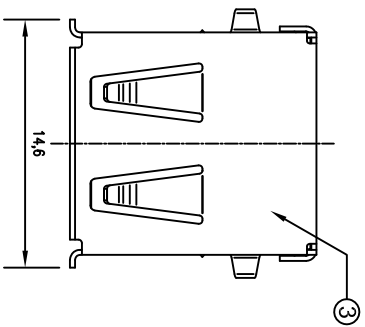
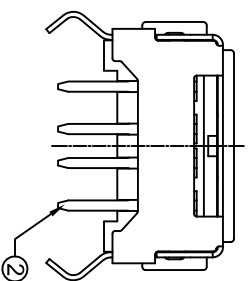
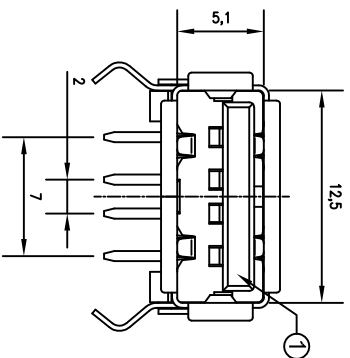


NO.	NAME	MATERIAL
1	HOUSING	PBT / Nylon
2	PIN TERM.	PHOS. BRONZE
3	SHELL	BRASS



**SUGGESTED PCB LAYOUT**  
TOP VIEW



**TUA-S10H\*\*\***

Series \_\_\_\_\_  
Type \_\_\_\_\_  
Color \_\_\_\_\_  
B : Black  
W : White

Shell \_\_\_\_\_  
T : Tin Plated  
F : SPCC  
N : Nickel Plated (Foggy Surface) (A)

Version \_\_\_\_\_  
1 : 1.1  
2 : 2.0

Material \_\_\_\_\_  
B : PBT  
P : Nylon

REV	ZONE	REVISION	DATE	APPD.
A.1	(A)	增加Foggy Surface敬述	2009.03.20	Aaron

**TACLEX** TACLEX ELECTRONICS CO., LTD.

TOLERANCES UNLESS OTHERWISE SPECIFIED		SIGNATURES		TITLE	
LINEAR: ±0.30	ANGULAR: ±3°	DRAWN	Johnson	DATE	2011.5.20
		CHK'D	Alex		
		APPV'D	Rex		
REVISIONS	SCALE	APPV'D		NO.	TUA-S10HX-XXX
A	5/1				

NO.	DESCRIPTION	DATE	APPROVED
1			
2			
3			