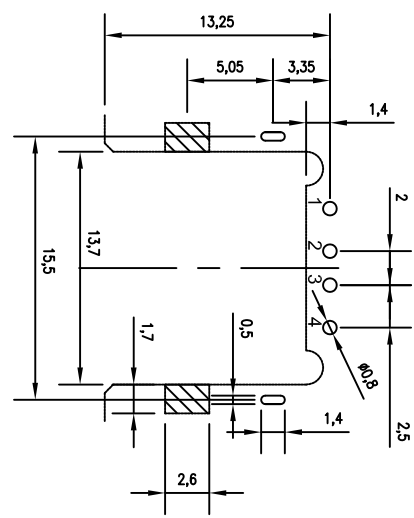
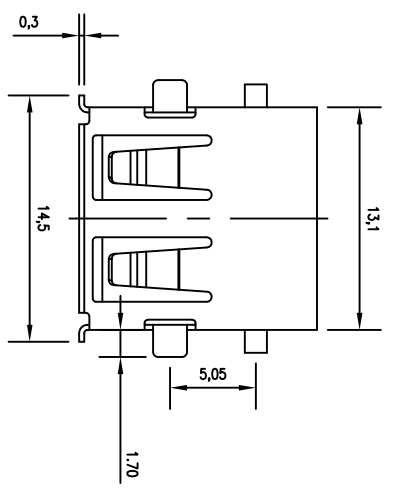
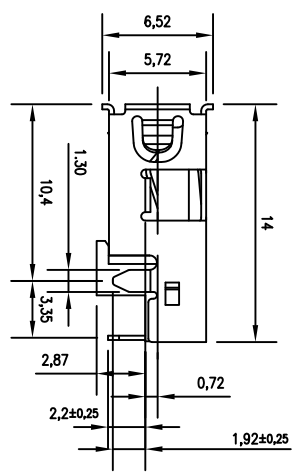
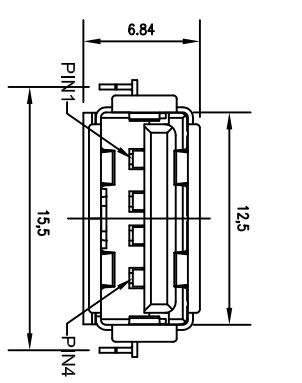
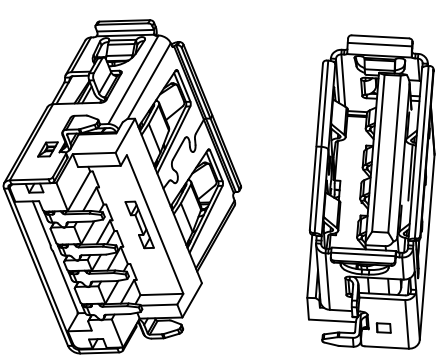
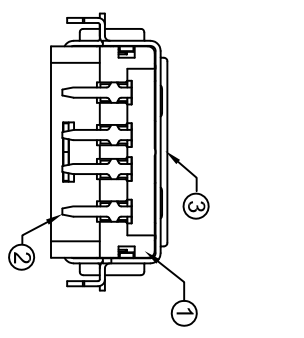


NO.	NAME	MATERIAL	FINISH
1	HOUSING	Nylon / LCP	
2	CONTACT	PHOS. BRONZE	Gold-Tin Plated
3	SHELL	BRASS	Ni Plated

REV	ZONE	REVISION	DATE	APPD.



RECOMMEND PCB LAYOUT
TOP VIEW



TUA-S10E9 *-*-*

Series _____
Type _____
B : Black _____
Material _____
P : Nylon _____
L : Lcp _____

Shell _____
N : Nickel Plated _____
Version _____
1 : 1.1 _____
2 : 2.0 _____

TACLEX TACLEX ELECTRONICS CO., LTD.

SYM	DISCRIPTION	DATE	APPROVED
△			
△			
△			
△			
△			

TOLERANCES UNLESS OTHERWISE SPECIFIED	SIGNATURES	DATE	TITLE
LINEAR: ±0.30 ANGULAR: ±3°	Johnson	2011.5.20	USB. TYPE A
REVISIONS	CHK'D Alex	2011.5.20	NO. TUA-S10E9X-XXX
A	APPV'D Rex	2011.5.20	