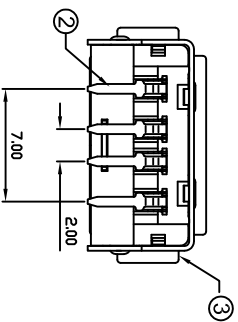
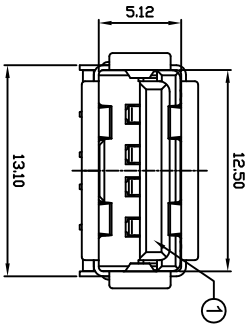
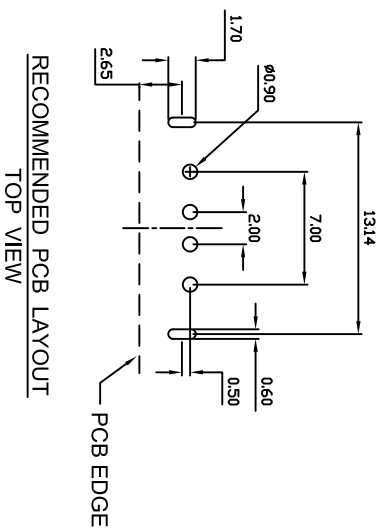
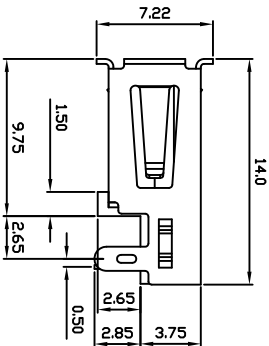
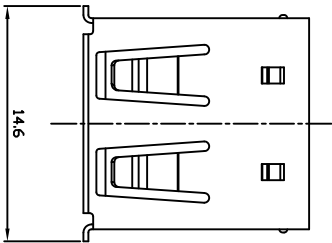
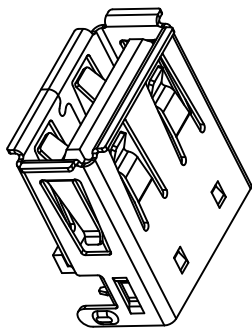


NO.	NAME	MATERIAL	FINISH
1	HOUSING	PBT	
2	CONTACT	PHOS. BRONZE	Gold-Tin Plated
3	SHELL	BRASS	Ni Plated



**TUA-S10E1 \*-\*-\***

Series \_\_\_\_\_  
 Type \_\_\_\_\_  
 Material B: Black \_\_\_\_\_  
 Material B: PBT \_\_\_\_\_

Shell \_\_\_\_\_  
 N : Nickel Plated (Foggy Surface)

Version \_\_\_\_\_  
 1 : 1.1  
 2 : 2.0

**TACLEX** TACLEX ELECTRONICS CO., LTD.

TOLERANCES UNLESS OTHERWISE SPECIFIED LINEAR: ±0.30 ANGULAR: ±3°		SIGNATURES		DATE		TITLE	
REVISIONS		DRAWN		2008.05.15		USB A TYPE DIP	
A	5/1	CHK'D	Alex	2008.05.15	NO.	TUA-S10E1X-XXX	
		APPV'D	Rex	2008.05.15			

NO.	DESCRIPTION	DATE	APPROVED
1			
2			
3			
4			
5			
6			
7			
8			
9			
10			