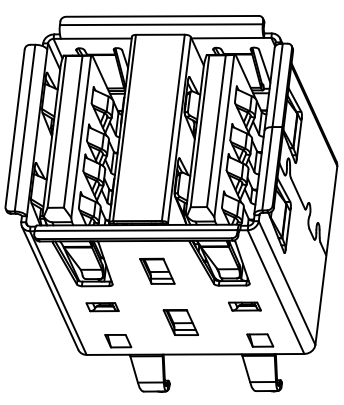
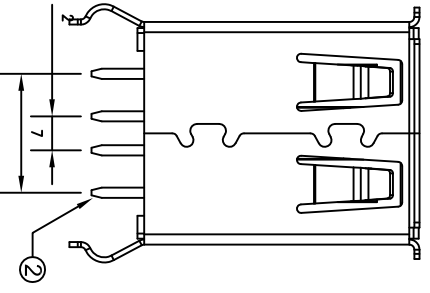
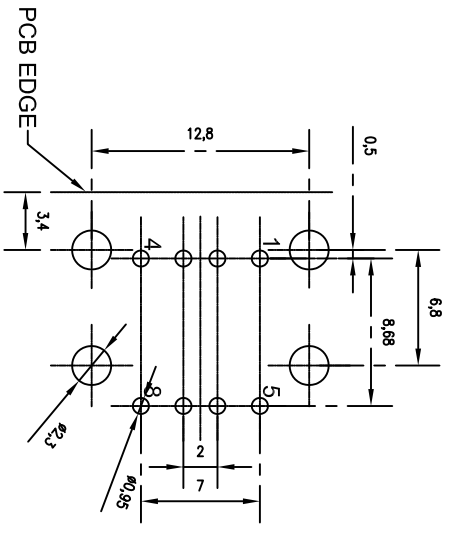
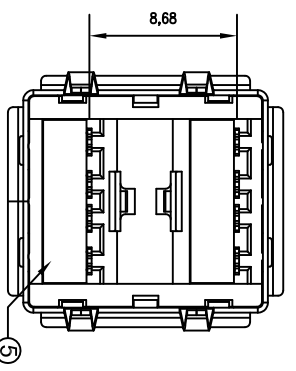
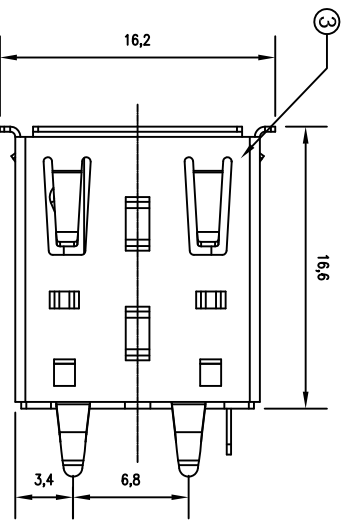
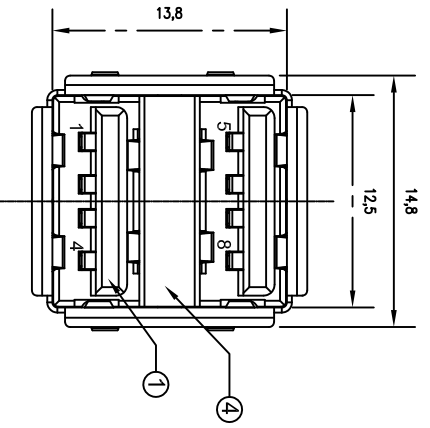


NO.	NAME	MATERIAL
1	HOUSING	PBT / Nylon
2	PIN TERM.	PHOS. BRONZE
3	SHELL	BRASS / SPCC
4	SHELL	BRASS
5	HOUSING COVER	PBT



TUA-D10P*--****

Series _____
 Type _____
 Color _____
 B : Black
 W : White

Shell _____
 Z : Nickel Plated (Shiny Surface)

Version _____
 1 : 1.1
 2 : 2.0

Material _____
 B : PBT
 P : Nylon

REV	ZONE	REVISION	DATE	APPD.

NO.	DESCRIPTION	DATE	APPROVED

TACLIX TACLIX ELECTRONICS CO., LTD.

TOLERANCES UNLESS OTHERWISE SPECIFIED
 LINEAR: ±0.30 ANGULAR: ±3°

REVISIONS A

SIGNATURES	DATE	TITLE
Johnson	2011.5.20	DOUBLE USB. TYPE A
Alex	2011.5.20	NO.
Rex	2011.5.20	TUA-D10P*-XXX

SCALE 5/1

APPV'D