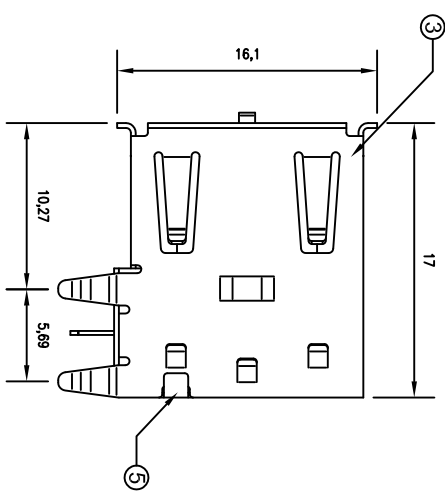
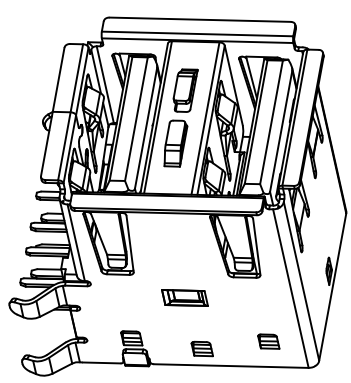
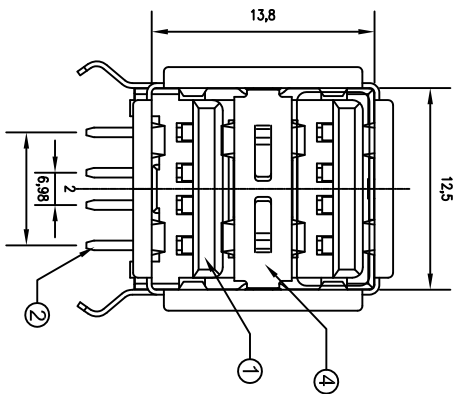
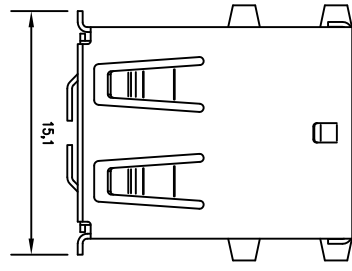
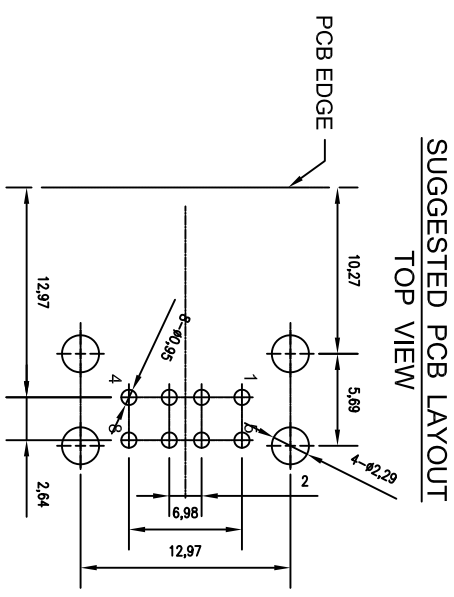


NO.	NAME	MATERIAL
1	HOUSING	PBT / Nylon
2	PIN TERM.	PHOS. BRONZE
3	SHELL	BRASS / SPCC
4	SHELL	BRASS
5	COVER SHELL	BRASS / SPCC



REV	ZONE	REVISION	DATE	APPD.
A.1	(A)	增加Foggy Surface敘述	2009.3.24	Aaron



TUA-D10HS*-*-*

Series _____
 Type _____
 Color _____
 B : Black
 W : White

Shell _____
 T : Tin Plated
 F : SPCC
 N : Nickel Plated (Foggy Surface) (A)

Version _____
 1 : 1.1
 2 : 2.0

Material _____
 B : PBT
 P : Nylon

TACLEX TACLEX ELECTRONICS CO., LTD.

TOLERANCES UNLESS OTHERWISE SPECIFIED		SIGNATURES		TITLE	
LINEAR: ±0.30	ANGULAR: ±3°	DRAWN	Johnson	DATE	2011.5.20
REVISIONS	SCALE	CHK'D	Alex	NO.	TUA-D10HSX-XXX
A	5/1	APPV'D	Rex		

NO.	DESCRIPTION	DATE	APPROVED
1			
2			
3			
4			
5			
6			
7			
8			
9			
10			