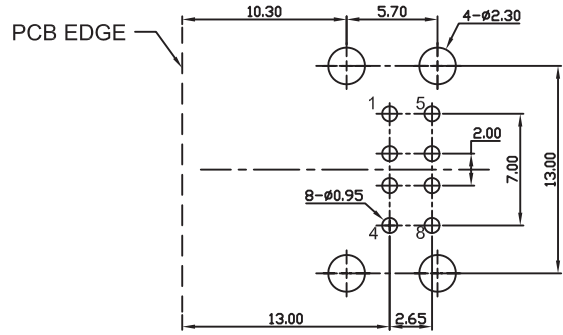


**SUGGESTED PCB LAYOUT  
TOP VIEW**



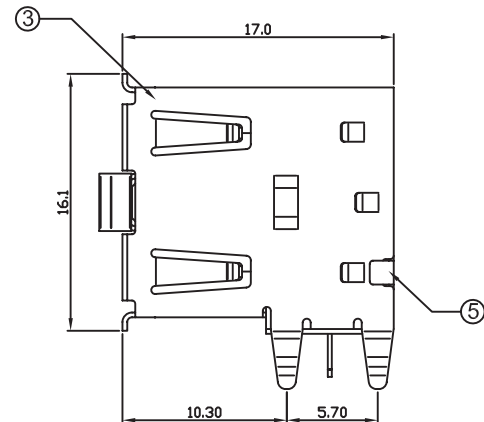
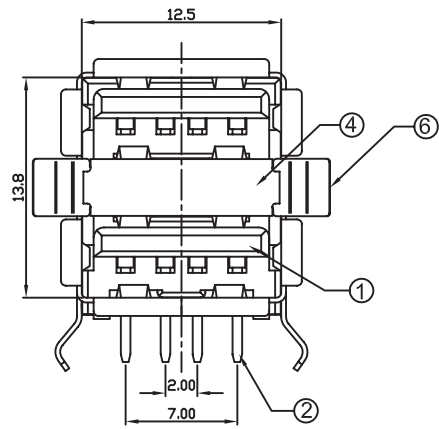
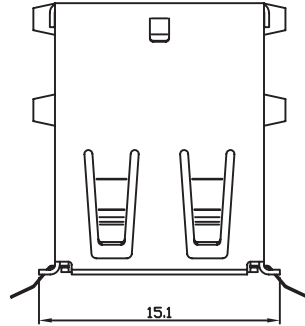
**TUA-D10HF \* - \* \* \***

Series \_\_\_\_\_  
 Type \_\_\_\_\_  
 Color \_\_\_\_\_  
 B : Black  
 W : White

Shell  
 T : Tin Plated  
 F : SPCC  
 N : Nickel Plated (Foggy Surface) <sup>(A)</sup>

Version  
 1 : 1.1  
 2 : 2.0

Material  
 B : PBT  
 P : Nylon



NO.	NAME	MATERIAL
1	HOUSING	PBT / Nylon
2	PIN TERM.	PHOS. BRONZE
3	SHELL	BRASS / SPCC
4	SHELL	BRASS
5	COVER SHELL	BRASS / SPCC
6	SPRING	SUS

△			
△			
△			
△			
△			
SYM	DISCRIPTION	DATE	APPROVED
1			
2			
3			

**TACLEX** TACLEX ELECTRONICS CO., LTD.

TOLERANCES UNLESS OTHERWISE SPECIFIED LINEAR: ±0.30 ANGULAR: ±3°	SIGNATURES		DATE	TITLE DOUBLE USB TYPE A  NO. TUA-D10HF
	DRAWN	Amy	2005.01.11	
	CHK'D	Alex	2005.01.11	
REVISIONS	SCALE	5/1	APPV'D	Rex
A			2005.01.11	