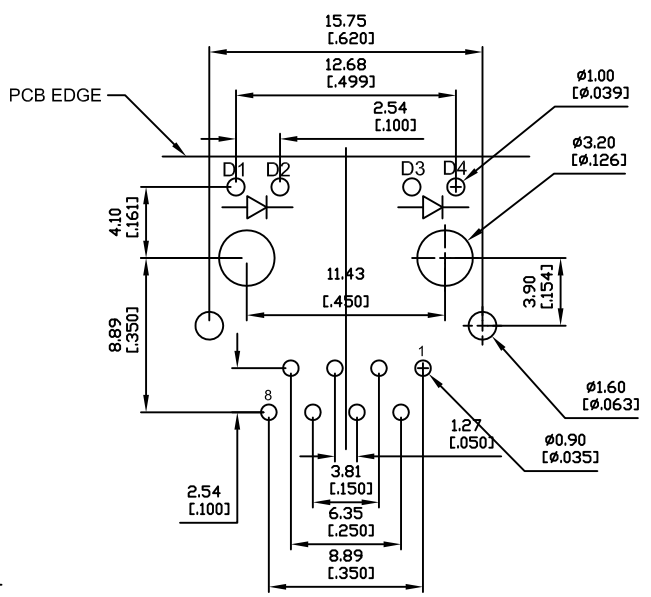
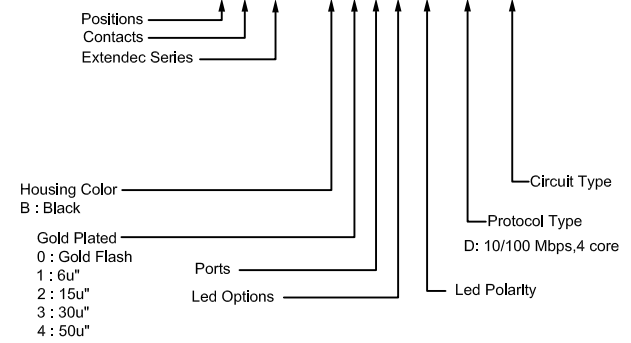


- Material:**
- 1.Housing: Thermoplastic UL 94V-0
 - 2.Contact : Selective Gold Plating
 - 3.Terminal: 0.35mm Thickness Phosphor Bronze Plated With Gold And Tin In Solder Area.
 - 4.Shielded: Brass,Nickel Plating
 - 5.Operating Temperature Range : 0°C~70°C

PART NO : HA88PA-B*1** - D**



**RECOMMENDED PCB LAYOUT
TOP VIEW**

LED Color Options Table

LED Color Options		LED DASH OPTION
LED 2 (Left)	LED 1 (Right)	
No LED	No LED	0
Yellow	Green	1
No LED	Green	2
Yellow	No LED	3
Green	Yellow	4
Green	Green	5
Yellow	Yellow	6
Orange/Green	Orange/Green	7
Yellow/Green	Yellow/Green	8
Orange/Green	Yellow	9

LED Polarity Table

Part Suffix	LED 2 (Left)	LED 1 (Right)
Non	Non LED	Non LED
0	D1 ⁺ D2 ⁻	D3 ⁻ D4 ⁺
1	D1 ⁺ D2 ⁻	D3 ⁻ D4 ⁺
2	D1 ⁻ D2 ⁺	D3 ⁺ D4 ⁻
3	D1 ⁻ D2 ⁺	D3 ⁻ D4 ⁺

SYM	DISCRIPTION	DATE	APPROVED
1			
2			
3			

TACLEX TACLEX ELECTRONICS CO., LTD.

TOLERANCES UNLESS OTHERWISE SPECIFIED
LINEAR: ±0.30 ANGULAR: ±3°

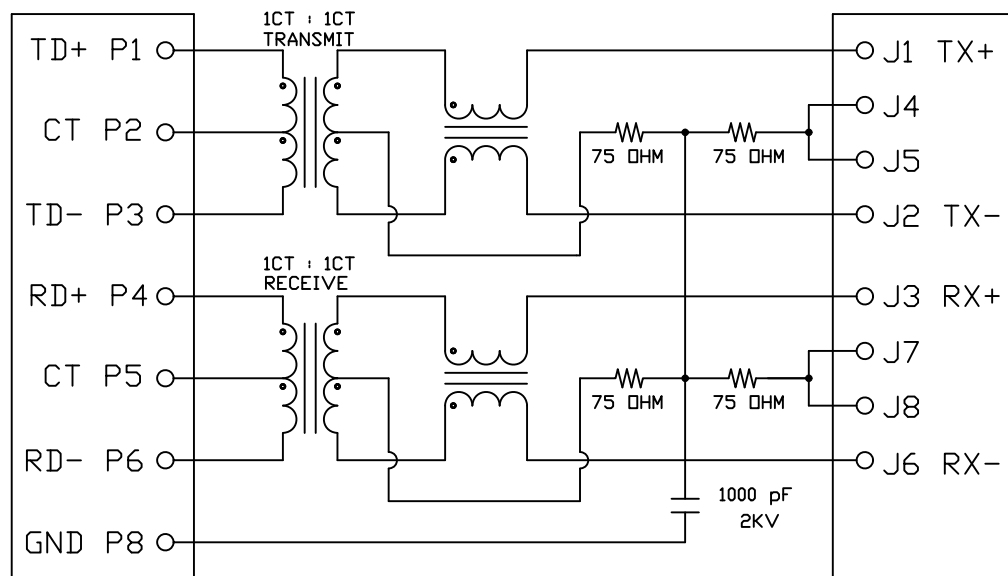
REVISIONS		SCALE	1/1
A		SIGNATURES	DATE
		APPV'D	DATE

TITLE	RJ45 Connector
NO.	HA88PA-Bx1xx-Dxx

1. SCHEMATIC:

CONNECTOR SOLDER SIDE

RJ45 CONTACT SIDE



2. ELECTRICAL CHARACTERISTICS :

Test Notes:(25±5°C)

1.TR:(100KHz,0.1V):

Pins:(P1-P3):(J1-J2)=1:1±3%

Pins:(P4-P6):(J3-J6)=1:1±3%

2.LX:(100KHz,100mV,8mA, Dc Bias)

Pins:(P1-P3),(P4-P6)=350uH Minimum

3.DCR:

Pins:(J1-J2),(J3-J6)=1.2 Ohms Maximum

4.HIPOT:

Pins:(P1,P2,P3)To(J1,J2)=1500VAC For 60 Seconds

Pins:(P4,P5,P6)To(J3,J6)=1500VAC For 60 Seconds

5.INSERTION LOSS:

-1.0dB Maximum At 0.3MHZ To 100MHZ

6.RETURN LOSS:

-20dB Minimum At 1MHz To 30MHz;

-15dB Minimum At 30MHz To 60MHz;

-10dB Minimum At 60MHz To 80MHz

7.CROSS TALK:

-30dB Minimum At 1MHz To 100MHz

8.COMMON TO COMMON MODE REJECTION:

-30dB Minimum At 1MHz To 100MHz

△			
△			
△			
△			
△			
SYM	DISCRIPTION	DATE	APPROVED

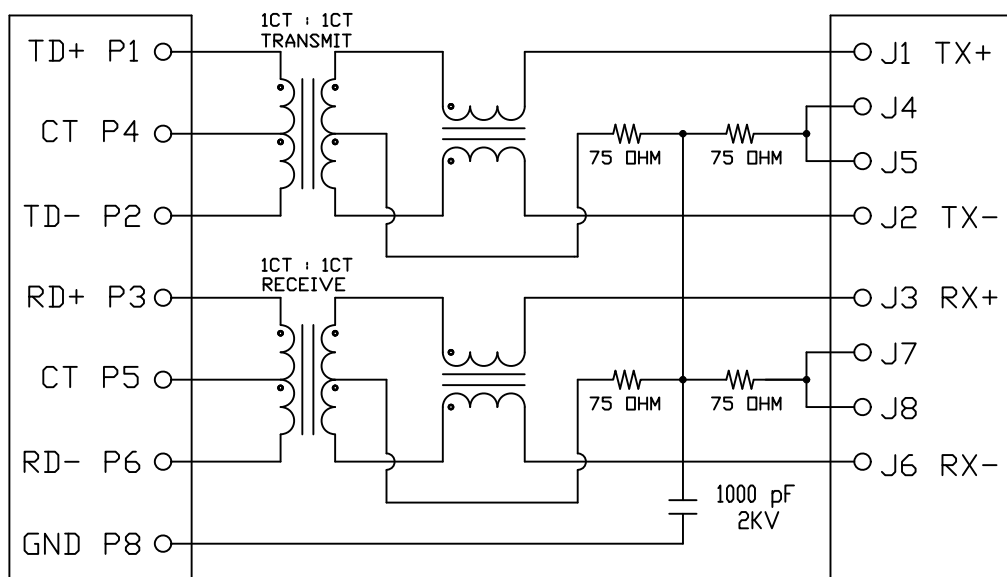
TACLEX TACLEX ELECTRONICS CO., LTD.

TOLERANCES UNLESS OTHERWISE SPECIFIED LINEAR: ±0.30 ANGULAR: ±3°		SIGNATURES		DATE	TITLE
		DRAWN	Eric	2009.03.19	Transformer Type
		CHK'D	Fed	2009.03.19	NO.
		APPV'D	Rex	2009.03.19	D12
REVISIONS	SCALE				
A	1/1				

1. SCHEMATIC:

CONNECTOR SOLDER SIDE

RJ45 CONTACT SIDE



2. ELECTRICAL CHARACTERISTICS :

Test Notes:(25±5°C)

1.TR:(100KHz,0.1V):

Pins:(P1-P2):(J1-J2)=1:1±3%

Pins:(P3-P6):(J3-J6)=1:1±3%

2.LX:(100KHz,100mV,8mA, DC Bias)

Pins:(P1-P2),(P3-P6)=350uH Minimum

3.DCR:

Pins:(J1-J2),(J3-J6)=1.2 Ω Maximum

4.HIPOT:

Pins:(P1,P2)To(J1,J2)=1500VAC 60s or 2250VDC 60s

Pins:(P3,P6)To(J3,J6)=1500VAC 60s or 2250VDC 60s

5.INSERTION LOSS:

-1.0dB Maximum At 1 MHz To 100MHz

6.RETURN LOSS:

-18dB Minimum At 1MHz To 30MHz,load 100 Ω;

-16dB Minimum At 30MHz To 60MHz,load 100 Ω;

-12dB Minimum At 60MHz To 80MHz,load 100 Ω.

7.CROSS TALK:

-30dB Minimum At 1MHz To 100MHz

8.COMMON TO COMMON MODE REJECTION:

-30dB Minimum At 1MHz To 100MHz

△			
△			
△			
△			
△			
SYM	DISCRIPTION	DATE	APPROVED

TACLEX TACLEX ELECTRONICS CO., LTD.

TOLERANCES UNLESS OTHERWISE SPECIFIED LINEAR: ±0.30 ANGULAR: ±3°		SIGNATURES		DATE	TITLE
		DRAWN	Eric	2009.03.19	Transformer Type
		CHK'D	Fed	2009.03.19	NO.
		APPV'D	Rex	2009.03.19	D22
REVISIONS	SCALE				
A	1/1				