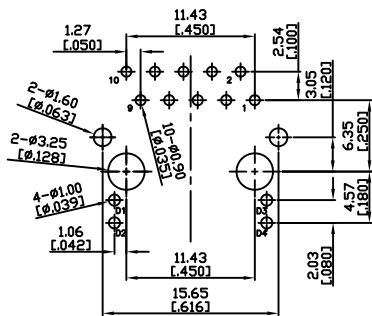
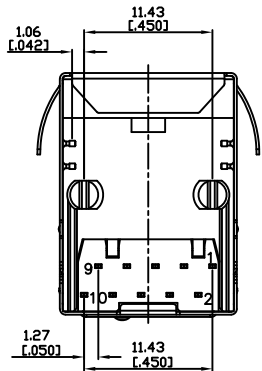
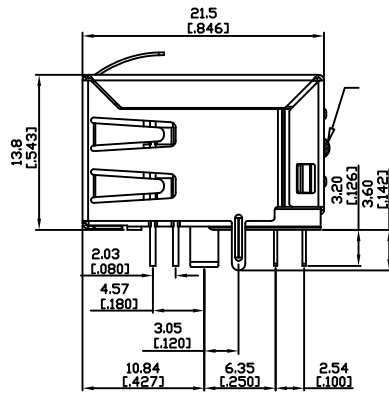
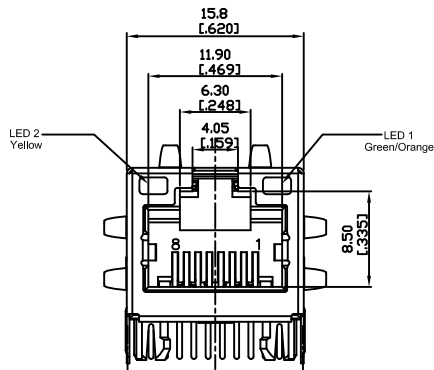
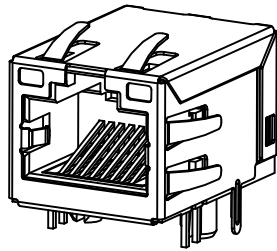
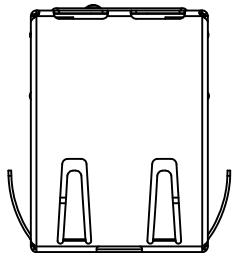


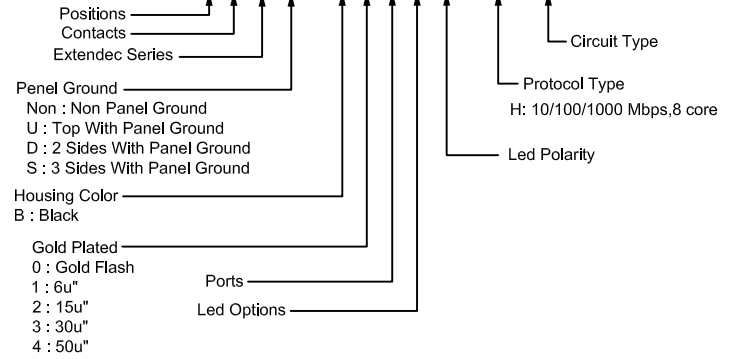
1. MECHANICAL DIMENSIONS:



RECOMMENDED PCB LAYOUT
TOP VIEW
PCB THICKNESS: 1.60±0.05mm

- Material:
- 1.Housing: Thermoplastic UL 94V-0
 - 2.Contact : Selective Gold Plating
 - 3.Terminal: 0.35mm Thickness Phosphor Bronze Plated With Gold And Tin In Solder Area.
 - 4.Shielded: Brass ,Nickel Plating
 - 5.Operating Temperature Range : 0°C~70°C

PART NO : GF08CS-B*1** -H**



LED Color Options Table

LED Color Options		LED DASH OPTION
LED 2 (Left)	LED 1 (Right)	
No LED	No LED	0
Yellow	Green	1
No LED	Green	2
Yellow	No LED	3
Green	Yellow	4
Green	Green	5
Yellow	Yellow	6
Orange/Green	Orange/Green	7
Yellow/Green	Yellow/Green	8
Orange/Green	Yellow	9

LED Polarity Table

(Applicable only for single-colored LED)

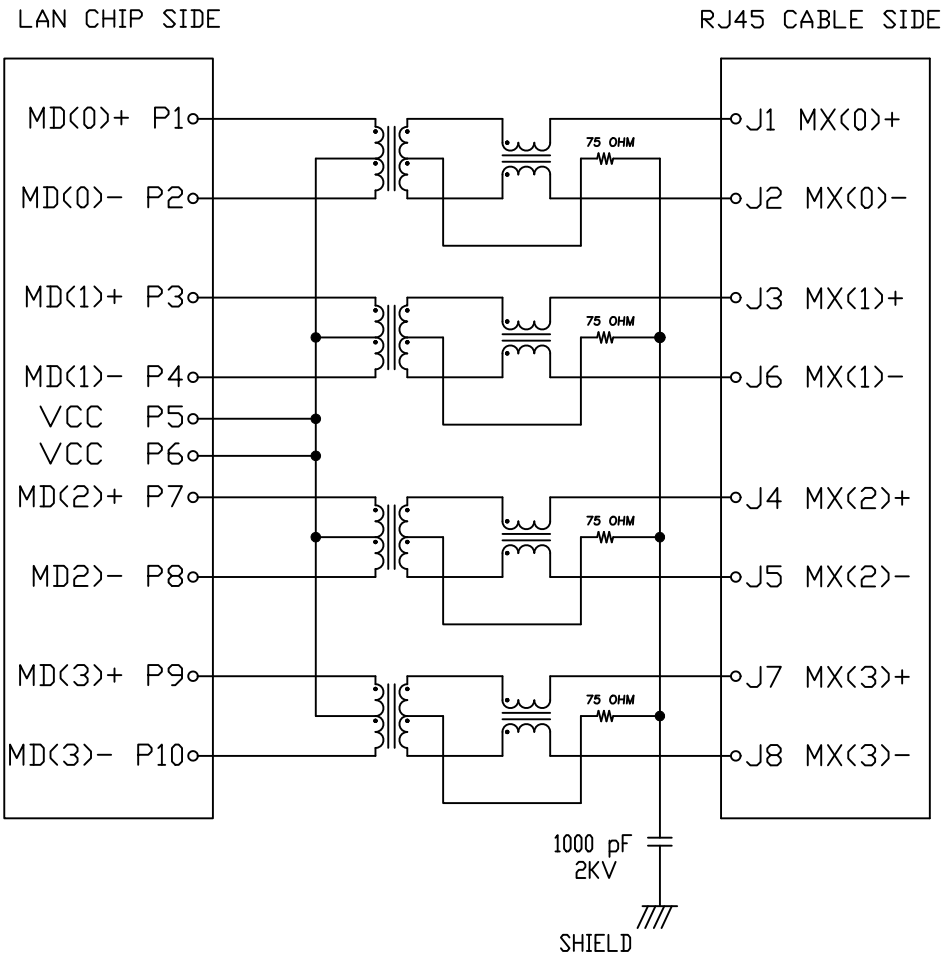
單位 編號	LED 2 (Left)	LED 1 (Right)
0	D1 ⁺ D2 ⁻	D3 ⁺ D4 ⁻
1	D1 ⁺ D2 ⁻	D3 ⁻ D4 ⁺
2	D1 ⁻ D2 ⁺	D3 ⁺ D4 ⁻
3	D1 ⁻ D2 ⁺	D3 ⁻ D4 ⁺

△			
△			
△			
△			
△			
SYM	DISCIPTION	DATE	APPROVED
1			
2			
3			

TACLEX TACLEX ELECTRONICS CO., LTD.

TOLERANCES UNLESS OTHERWISE SPECIFIED LINEAR: ±0.30 ANGULAR: ±3°		SIGNATURES		DATE	TITLE
		DRAWN	Eric	2005.01.11	RJ45 JACK +TSFM 1G
REVISIONS A	SCALE 5/1	CHK'D	Alex	2005.01.11	NO.
		APPV'D	Rex	2005.01.11	GF08CS-Bx1xx-Hxx

1. SCHEMATIC:



2. ELECTRICAL CHARACTERISTICS :

Test Notes:(25±5°C)

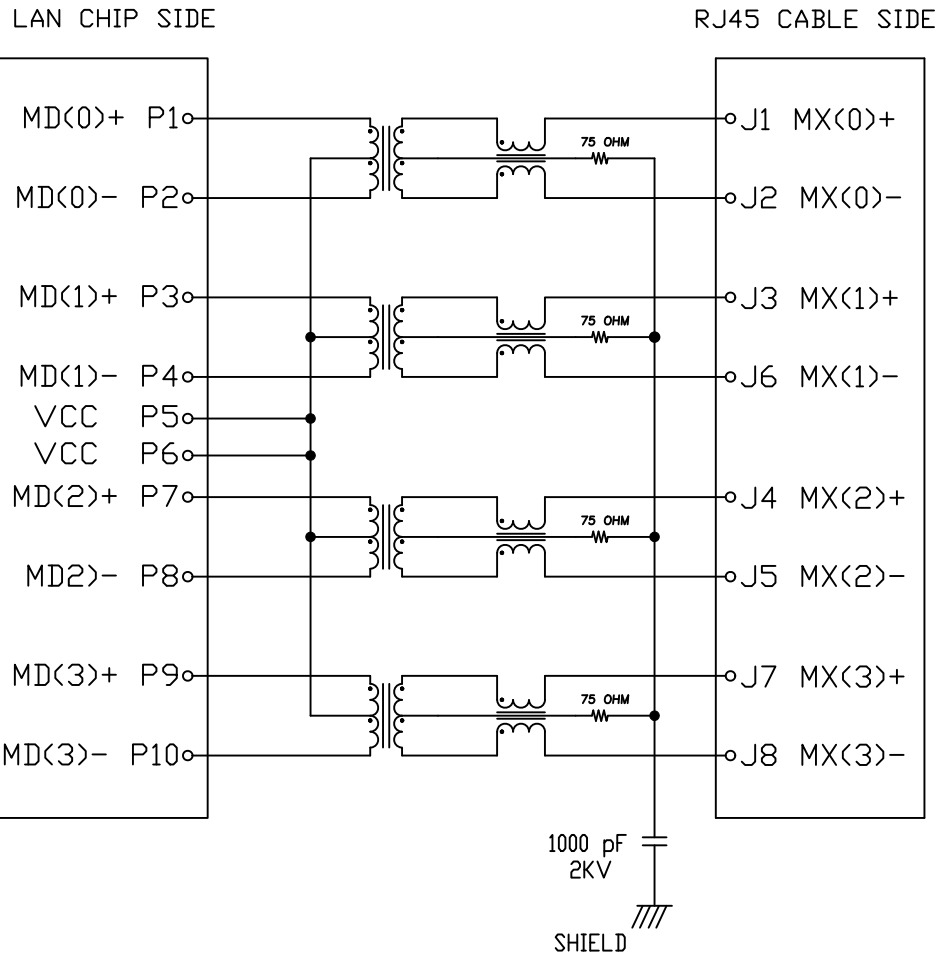
- 1.TR:(100KHz,0.1V);
 Pins:(P1,P2):(J1,J2)=1:1±3%;(P3,P4):(J3,J6)=1:1±3%
 Pins:(P7,P8):(J4,J5)=1:1±3%;(P9,P10):(J7,J8)=1:1±3%
- 2.LX:(100KHz,100mV,8mA, DC Bias)
 Pins:(P1,P2),(P3,P4),(P7,P8),(P9,P10)=350uH Minimum
- 3.DCR:
 Pins:(J1-J2),(J3-J6),(J4,J5),(J7,J8)=1.2 Ω Maximum
- 4.HIPOT:
 Pins:(P1,P2)To(J1,J2),(P3,P4)To(J3,J6)=1500VAC For 60s or 2250VDC 60s
 Pins:(P7,P8)To(J4,J5),(P9,P10)To(J7,J8)=1500VAC For 60s or 2250VDC 60s
- 5.INSERTION LOSS:
 -0.8dB Maximum At 0.3MHz To 100MHz;
 -1.2dB Maximum At 100MHz To 120MHz
- 6.RETURN LOSS:
 -18dB Minimum At 0.5MHz To 40MHz;
 -12+20Log(f/80MHz)dB Minimum At 0.1MHz To 100MHz
- 7.CROSS TALK:
 -33+20Log(f/100MHz)dB Minimum At 0.1MHz To 100MHz
- 8.COMMON TO DIFFERENTIAL MODE REJECTION:
 -35dB Minimum At 300MHz To 100MHz
- 9.COMMON TO COMMON MODE REJECTION:
 -30dB Minimum At 300KHz To 100MHz

△			
△			
△			
△			
△			
SYM	DISCRIPTION	DATE	APPROVED

TACLEX TACLEX ELECTRONICS CO., LTD.

TOLERANCES UNLESS OTHERWISE SPECIFIED LINEAR: ±0.30 ANGULAR: ±3°		SIGNATURES	DATE	TITLE
		DRAWN Eric	2009.03.19	Transformer Type NO. H11
		CHK'D Fed	2009.03.19	
		APPV'D Rex	2009.03.19	
REVISIONS A	SCALE 5/1			

1. SCHEMATIC:



2. ELECTRICAL CHARACTERISTICS :

Test Notes:(25±5°C)

1.TR:(100KHz,0.1V);

Pins:(P1,P2):(J1,J2)=1:1±3%;(P3,P4):(J3,J6)=1:1±3%

Pins:(P7,P8):(J4,J5)=1:1±3%;(P9,P10):(J7,J8)=1:1±3%

2.LX:(100KHz,100mV,8mA, DC Bias)

Pins:(P1,P2),(P3,P4),(P7,P8),(P9,P10)=350uH Minimum

3.DCR:

Pins:(J1-J2),(J3-J6),(J4,J5),(J7,J8)=1.2 Ω Maximum

4.HIPOT:

Pins:(P1,P2)To(J1,J2),(P3,P4)To(J3,J6)=1500VAC 60s or 2250VDC 60s

Pins:(P7,P8)To(J4,J5),(P9,P10)To(J7,J8)=1500VAC 60s or 2250VDC 60s

5.INSERTION LOSS:

-0.8dB Maximum At 0.3MHz To 100MHz;

-1.2dB Maximum At 100MHz To 120MHz

6.RETURN LOSS:

-18dB Minimum At 0.5MHz To 40MHz;

-12+20Log(f/80MHz)dB Minimum At 0.1MHz To 100MHz

7.CROSS TALK:

-33+20Log(f/100MHz)dB Minimum At 0.1MHz To 100MHz

8.COMMON TO DIFFERENTIAL MODE REJECTION:

-35dB Minimum At 300MHz To 100MHz

9.COMMON TO COMMON MODE REJECTION:

-30dB Minimum At 300KHz To 100MHz

△			
△			
△			
△			
△			
SYM	DISCRIPTION	DATE	APPROVED

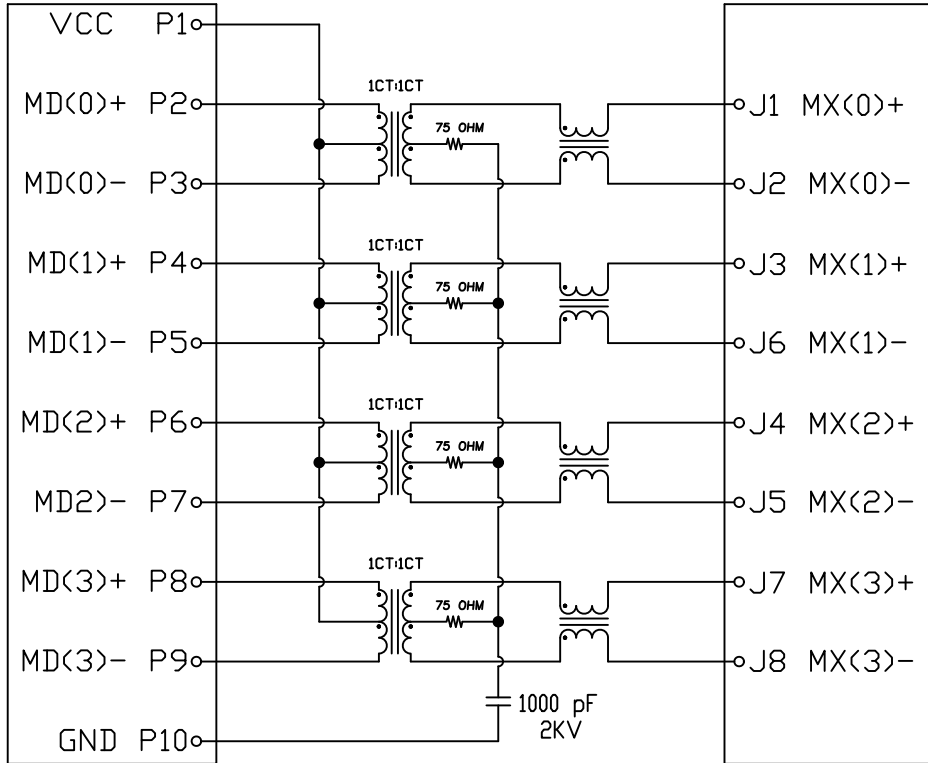
TACLEX TACLEX ELECTRONICS CO., LTD.

TOLERANCES UNLESS OTHERWISE SPECIFIED LINEAR: ±0.30 ANGULAR: ±3°		SIGNATURES	DATE	TITLE
		DRAWN Eric	2009.03.19	Transformer Type H12
		CHK'D Fed	2009.03.19	
		APPV'D Rex	2009.03.19	
REVISIONS	SCALE	NO.		
A	5/1			

1. SCHEMATIC:

LAN CHIP SIDE

RJ45 CABLE SIDE



2. ELECTRICAL CHARACTERISTICS :

Test Notes:(25±5°C)

1.TR:(100KHz,0.1V);

Pins:(P2,P3):(J1,J2)=1:1±3%;(P4,P5):(J3,J6)=1:1±3%

Pins:(P6,P7):(J4,J5)=1:1±3%;(P8,P9):(J7,J8)=1:1±3%

2.LX:(100KHz,100mV,8mA, DC Bias)

Pins:(P2,P3),(P4,P5),(P6,P7),(P8,P9)=350uH Minimum

3.DCR:

Pins:(J1-J2),(J3-J6),(J4,J5),(J7,J8)=1.2 Ω Maximum

4.HIPOT:

Pins:(P2,P3)To(J1,J2),(P4,P5)To(J3,J6)=1500VAC For 60s or 2250VDC 60s

Pins:(P6,P7)To(J4,J5),(P8,P9)To(J7,J8)=1500VAC For 60s or 2250VDC 60s

5.INSERTION LOSS:

-0.8dB Maximum At 0.3MHz To 100MHz;

-1.2dB Maximum At 100MHz To 120MHz

6.RETURN LOSS:

-18dB Minimum At 0.5MHz To 40MHz;

-12+20Log(f/80MHz)dB Minimum At 0.1MHz To 100MHz

7.CROSS TALK:

-33+20Log(f/100MHz)dB Minimum At 0.1MHz To 100MHz

8.COMMON TO DIFFERENTIAL MODE REJECTION:

-35dB Minimum At 300MHz To 100MHz

9.COMMON TO COMMON MODE REJECTION:

-30dB Minimum At 300KHz To 100MHz

△			
△			
△			
△			
△			
SYM	DISCRIPTION	DATE	APPROVED

TACLEX TACLEX ELECTRONICS CO., LTD.

TOLERANCES UNLESS OTHERWISE SPECIFIED LINEAR: ±0.30 ANGULAR: ±3°		SIGNATURES	DATE	TITLE
DRAWN		Eric	2009.03.19	Transformer Type H32
CHK'D		Fed	2009.03.19	
APPV'D		Rex	2009.03.19	
REVISIONS	SCALE	NO.		
A	5/1			