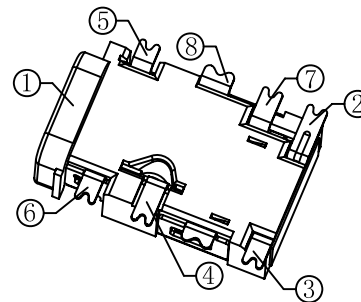
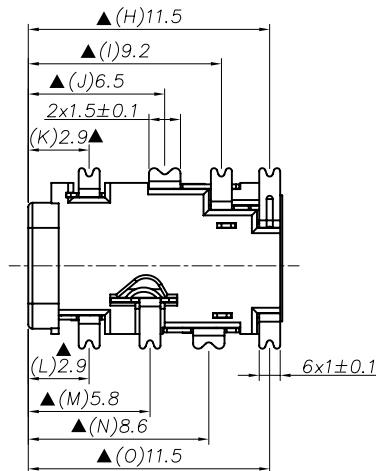


P. C. B Layout
(Copper-sided view)



Ordering information:

TPJ-2A770 - □ 9T 0A G □ □ 1

(1) (2) (3) (4) (5) (6) (7)

(1):Series No.

(2):Schematic option:L, G, S

(3):Material of housing:

9T=PA9T

(4):Housing color:

Zero 0A=Black

(5):Terminal plating:

G=Gold(Au)

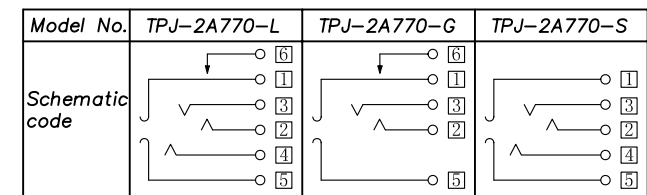
(6):Special option:

00=No special option

01=silk-screen of housing

(7):Packing mode:

1=Tape reel packing



Circuit Diagram

□:Terminal NO.

SPECIFICATION

1. Rating : DC 30V 0.5A;
2. Contact resistance: $\leq 30m\Omega$;
3. Insulation resistance: $\geq 100M\Omega$ (DC250V);
4. Withstand voltage: 500VAC ;
5. Insertion and extraction force: 3-25N;
6. life test: 5000 cycles;
7. Sign"▲" is importance dimension.

⑧ Shell	1	Phosphor Bronze 0.2t	PJ20680-W1	Misty Tin Plating	
⑦ Make terminal ⑥	1	Phosphor Bronze 0.2t	PJ20680-06	Gold Flash	
⑥ Earth terminal ⑤	1	Phosphor Bronze 0.2t	PJ20680-05	Gold Flash	
⑤ Ring spring ④	1	Phosphor Bronze 0.2t	PJ20680-04	Gold Flash	
④ Ring spring ③	1	Phosphor Bronze 0.2t	PJ20680-03	Gold Flash	
③ Tip spring ②	1	Phosphor Bronze 0.2t	PJ20680-02	Gold Flash	
② Earth spring ①	1	Phosphor Bronze 0.2t	PJ20680-01	Gold Flash	
① Housing	1	PA9T, UL 94V-0	PJ20680-S1		
NO.	DESCRIPTION	QTY	MATERIAL	PART NO.	REMARK



TACLEX

TACLEX ELECTRONICS CO., LTD.

TOLERANCES UNLESS OTHERWISE SPECIFIED		SIGNATURES		DATE	TITLE
LINEAR: ± 0.1 ANGULAR: $\pm 3^\circ$		DRAWN	Andy	2009.08.01	EARPHONE JACK
REVISIONS	SCALE	CHK'D	Alex	2009.08.01	NO.
A	5/1	APPV'D	Rex	2009.08.01	TPJ-2A770

△			
△			
△			
△			
△			
SYM	DISCIPTION	DATE	APPROVED
1			
2			
3			
4			
5			
6			
7			
8			
9			
10			