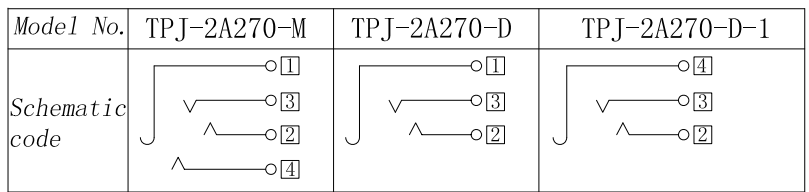
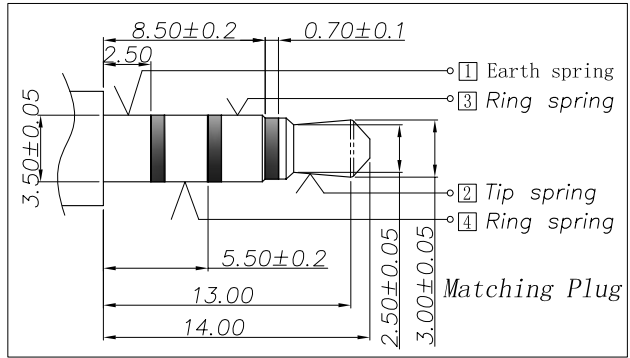


Ordering information:
 TPJ-2A270-□ 9T 0A S □□ □
 (1) (2) (3) (4) (5) (6) (7)

(1): Series No
 (2): Schematic option: M D
 (3): Material of housing: 9T=PA9T
 (4): Housing color: 0A=Black
 (5): Terminal plating: S=Silver (Ag)
 (6): Special option:
 00: No special option
 01: Without 1# Earth spring
 (7): Packing mode:
 1: Reel packing



Circuit Diagram □: Terminal No.



SPECIFICATION

- Rating : DC 30V 0.5A;
- Contact resistance: $\leq 30\text{m}\Omega$;
- Insulation resistance: $\geq 100\text{M}\Omega$ (DC250V);
- Withstand voltage: 500VAC ;
- Insertion and extraction force: 3-30N;
- life test: 5,000 cycles.
- Sing"▲" is importance dimension.

NO.	DESCRIPTION	QTY	MATERIAL	PART NO.	PLATING
④	Ring spring ③&④	2	Phosphor bronze	PJ20180-03(TP-604)	Silver plating
③	Tip spring ②	1	Phosphor bronze	PJ20180-02(JA-606)	Silver plating
②	Earth spring ①	1	Phosphor bronze	PJ20180-01(JA-605)	Silver plating
①	Housing	1	PA9T,UL94 V-0	PJ20180-S1(ST-603)	

TACLEX TACLEX ELECTRONICS CO., LTD.

TOLERANCES UNLESS OTHERWISE SPECIFIED LINEAR: ± 0.05 ANGULAR: $\pm 3^\circ$	SIGNATURES		DATE	TITLE
	DRAWN	Andy	2004.07.18	EARPHONE JACK
	CHK'D	Alex	2004.07.18	
APPV'D	Rex	2004.07.18		
REVISIONS A		SCALE 5/1	NO. TPJ-2A270	

SYM	DISCRIPTION	DATE	APPROVED
△			
△			
△			
△			
△			