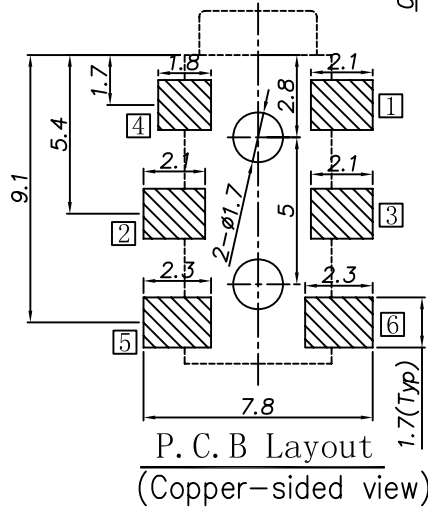
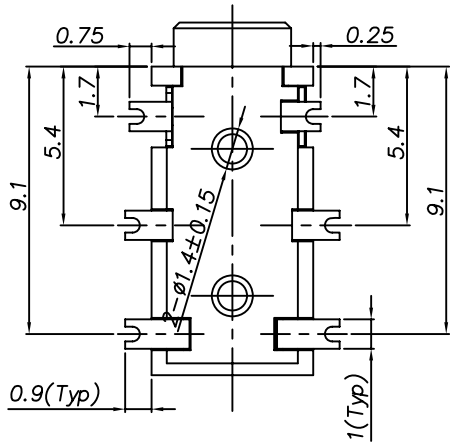


Ordering information:
 TPJ-2A51D - □ 9T 0A G 00 1
 (1) (2) (3) (4) (5) (6) (7)
 (1): Series No.
 (2): Schematic option: I, J, M, A, D
 (3): Material of housing:
 9T=PA9T
 (4): Housing color:
 Zero 0A=Black
 (5): Terminal plating:
 G=Gold (Au)
 (6): Special option:
 00=No special option
 (7): Packing mode:
 1=Tape reel packing

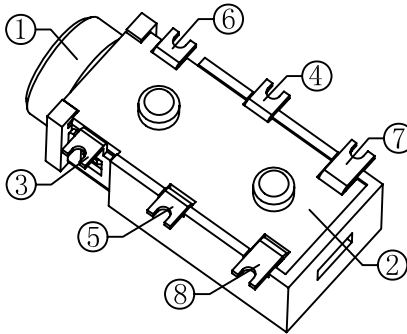


Model No.	TPJ-2A51D-I	TPJ-2A51D-J	TPJ-2A51D-M	TPJ-2A51D-A	TPJ-2A51D-D
Schematic code					

□: Terminal No.

SPECIFICATION

- Rating : DC 12V 1A;
- Contact resistance: $\leq 50m\Omega$;
- Insulation resistance: $\geq 100M\Omega$ (DC250V);
- Withstand voltage: 500VAC ;
- Insertion and extraction force: 3-25N;
- life test: 5000 cycles.



⑧	Shunt terminal	⑥	1	Phosphor bronze 0.2t	TPJ-2A51B-06	Gold flash
⑦	Shunt terminal	⑤	1	Phosphor bronze 0.2t	TPJ-2A51B-05	Gold flash
⑥	Ring spring	④	1	Phosphor bronze 0.2t	TPJ-2A51D-04	Gold flash
⑤	Ring spring	③	1	Beryllium copper 0.2t	TPJ-2A51B-03	Gold flash
④	Tip spring	②	1	Beryllium copper 0.2t	TPJ-2A51B-02	Gold flash
③	Earth spring	①	1	Stainless steel 0.2t	TPJ-2A51B-01	Gold flash
②	Cover		1	LCP,UL 94V-0	TPJ-2A51B-S2	
①	Housing		1	PA9T,UL 94V-0	TPJ-2A51B-S1	
NO.	DESCRIPTION	QTY	MATERIAL	PART NO.	PLATING	



TACLEX

TACLEX ELECTRONICS CO., LTD.

TOLERANCES UNLESS OTHERWISE SPECIFIED
 LINEAR: ± 0.1 ANGULAR: $\pm 3^\circ$

REVISIONS
 A

SIGNATURES
 DRAWN Andy
 CHK'D Alex
 APPV'D Rex

DATE
 2009.08.17
 2009.08.17
 2009.08.17

SCALE
 5/1

TITLE
 EARPHONE JACK

NO.
 TPJ-2A51D

△			
△			
△			
△			
△			
SYM	DISCRIPTION	DATE	APPROVED
1			
2			
3			