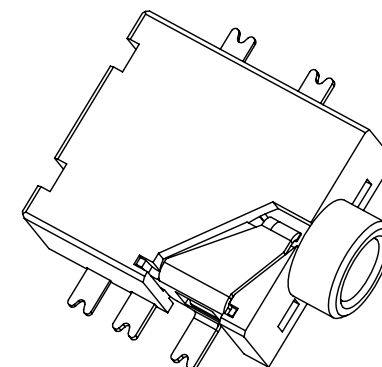
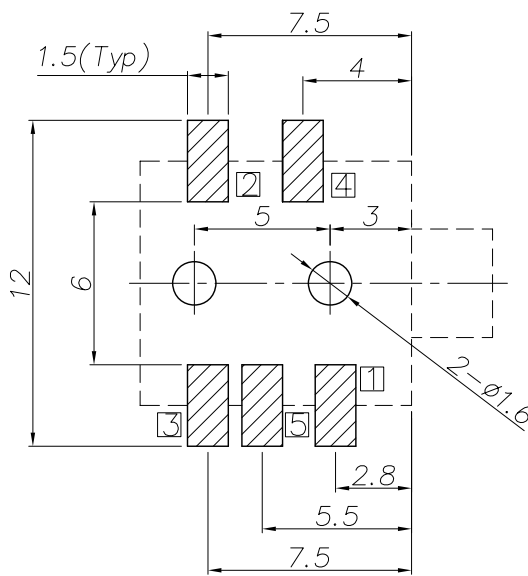
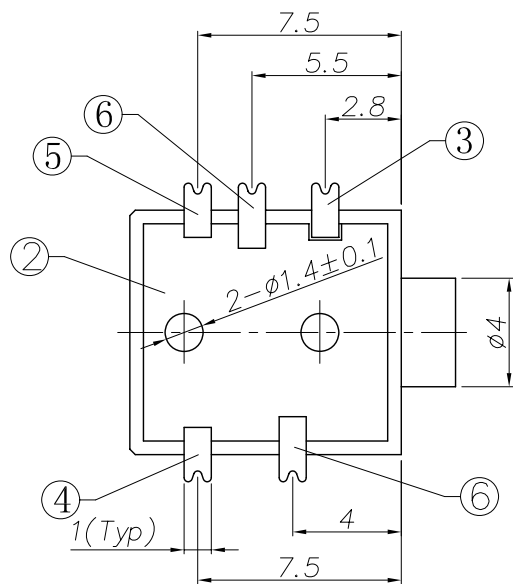


Circuit Diagram □: Terminal NO. ○: Item NO.



SPECIFICATION

1. Rating : DC 30V 0.5A;
2. Contact resistance: ≤50mΩ;
3. Insulation resistance: ≥100MΩ (DC250V);
4. Withstand voltage: 500VAC ;
5. Insertion and extraction force: 3-30N;
6. life test: 5000 cycles.

P. C. B Layout
(Copper-sided view)

⑥	Shunt terminal	1	C5191-H T=0.2	PJ2005D-04	Au/Ag-Plating
⑤	Ring spring	1	SUS301-EH T=0.2	PJ2005D-03	Au/Ag-Plating
④	Tip spring	1	SUS301-EH T=0.2	PJ2005D-02	Au/Ag-Plating
③	Earth spring	1	C5210-SH T=0.3	PJ2005D-01	Au/Ag-Plating
②	Cover	1	PA9T,UL94 V-0	PJ20050-S2	
①	Housing	1	PA9T,UL94 V-0	PJ20050-S1	
NO.	DESCRIPTION	QTY	MATERIAL	PART NO.	PLATING

△			
△			
△			
△			
△			
SYM	DISCUPTION	DATE	APPROVED

TACLEX TACLEX ELECTRONICS CO., LTD.

TOLERANCES UNLESS OTHERWISE SPECIFIED		SIGNATURES		DATE	TITLE
LINEAR: ±0.300 ANGULAR: ±3°		DRAWN	Michael	2007.12.17	EARPHONE JACK
REVISIONS	SCALE	CHK'D	Alex	2007.12.17	NO.
A	5/1	APPV'D	Rex	2007.12.17	TPJ-2A14D