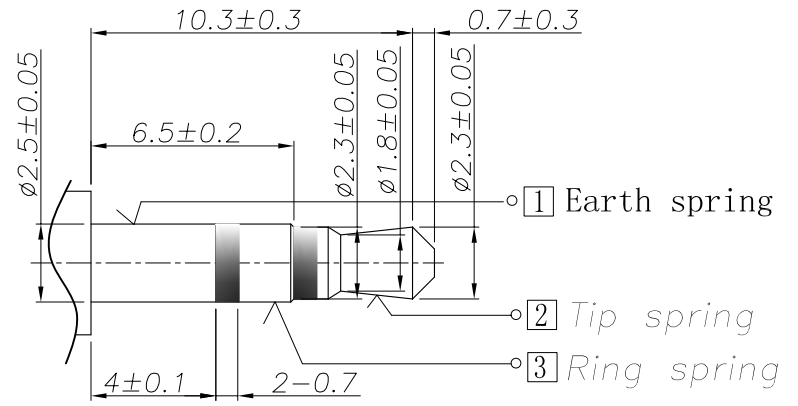


TPJ-2A17C- D □□ 0A □ 00 4
 (1) (2) (3) (4) (5) (6) (7)

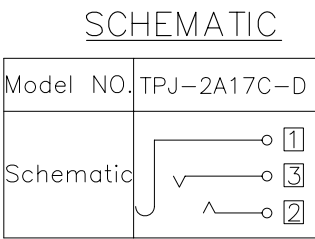
(1):Series No.
 (2):Schematic option(See drawing):D
 (3):Material of housing:
 46=PA46(Standard),
 PB=PBT,
 (4):Housing color:0A=Black
 (5):Terminal plating :
 G=Gold(Au) ; S=Sliver(Ag) (Standard)
 (6):Special option:
 00:No special option
 (7):Packing mode:
 4:Bag packing

Matching Plug



SPECIFICATION

- Rating : DC 30V 0.5A;
- Contact resistance: ≤30mΩ;
- Insulation resistance: ≥100MΩ (DC250V);
- Withstand voltage: 500VAC ;
- Insertion and extraction force: 3-25N;
- life test: 5,000 cycles;
7. Sing"▲"is importance dimention.



| ③ | Tip spring | ② | 1 | Phosphor bronze T=0.2 | TPJ2A17A-02(JA2-606) | Sliver/Gold plating |
|-----|-------------|-----|----------|------------------------|-----------------------|---------------------|
| ② | Ring spring | ③① | 2 | Phosphor bronze T=0.25 | TPJ-2A17C-01(TP-1290) | Sliver/Gold plating |
| ① | Housing | | 1 | PA46/PBT | TPJ-2A170-S1(ST-928) | |
| NO. | DESCRIPTION | QTY | MATERIAL | PART NO. | REMARK | |

TACLEX TACLEX ELECTRONICS CO., LTD.

| | | | | | |
|---|--|------------|-------------------|---------------|------------|
| TOLERANCES UNLESS OTHERWISE SPECIFIED LINEAR: ±0.00 ANGULAR: ±3° | | SIGNATURES | | DATE | TITLE |
| REVISIONS | | | SCALE | EARPHONE JACK | |
| A | | 5/1 | DRAWN Andy | | 2009.10.12 |
| | | | CHK'D Alex | | 2009.10.12 |
| | | | APPV'D Rex | | 2009.10.12 |
| | | | NO. | | TPJ-2A17C |

| △ | | | |
|-----|-------------|------|----------|
| △ | | | |
| △ | | | |
| △ | | | |
| △ | | | |
| SYM | DISCRIPTION | DATE | APPROVED |
| 1 | | | |
| 2 | | | |
| 3 | | | |